



Why Choose the OD Series?

The OD series of enclosures are the ultimate choice for your outdoor racking requirements. Being made of our own rugged Alumiflex®, you'll find it noticeably lighter than steel, yet strong enough to rack even the heaviest equipment. When choosing the OD series, you have handpicked the highest value in American construction. The OD-16DDC includes the standard features you have come to expect with DDB, incorporating the versatile rail strut R-Strut) system for adjustable racking, the security of a 3-point locking system and our patented Alumishield® solar cap to manage heat loads. For those who need more than just our standard enclosure, DDB can also make a truly customized solution with our many available options including HVAC, providing a climate-controlled environment for any electronic equipment, electrical load panels and cable entry solutions to name a few. All of this comes together to create an enclosure able to meet all of the unique needs your customers have been seeking. DDB offers a state-of-the-art design, a competitive price, benchmark lead times and a guaranteed delivery, all backed up with an industry leading 15-year warranty on every enclosure. Put DDB's substantial stock to work for you today. Contact our professional staff to assist you with your made-to-order solution.



Features

- 0.125" Aluminum Construction
- Stainless Steel External Hardware/Hinge
- 3 Point Lock System
- Heavy Duty Out-Door Construction
- Front and Rear Access
- Custom Colors Available
- Cream Powder-Coat in Stock
- Flexible and Scalable
- 15 Year Warranty
- Quick Shipping

Application Types

- Telecommunications
- Wireless/Broadband
- Fiber Optics
- Back Haul
- Small Cell/DAS
- Public Safety
- Utility
- Base Station
- Military
- Trailer-Based Communications
- Wi-Fi
- LTEE/4G/5G



Industry Standards:

- NEMA 3R as shown
- NEMA 4 and 4X configurable (unlisted to environmental rating)
- OD Series Listed to UL 50/50E Type 4 Available**
- ETL listed to UL Standard 60950-1/CSA 22.2C

2301 S. HWY 77 Pauls Valley, OK 73075

T: (800) 753-8459 – F: (877) 220-7236

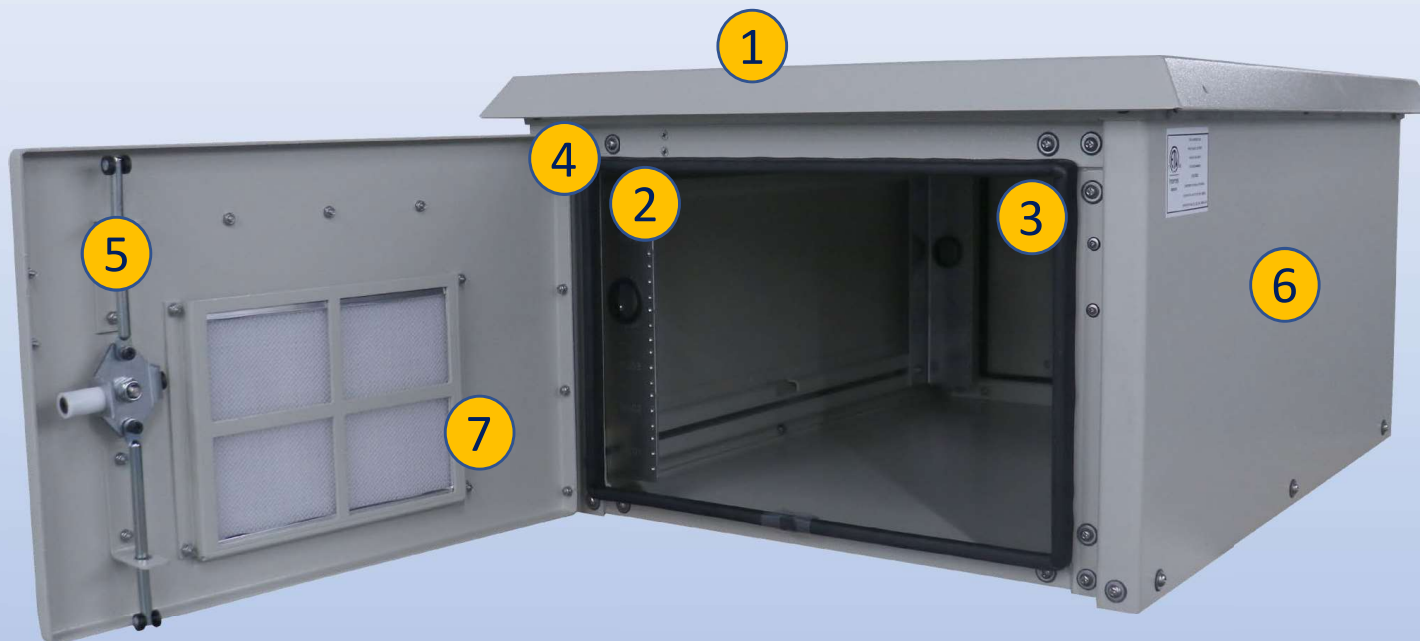
sales@ddbunlimited.com www.ddbunlimited.com

Weight and Dimensions

- Approximate Exterior Enclosure Dimensions:
- 18"H x 28"W x 39"D
- Shipping Dimensions:
- 35"W x 45"L - Palletized
- Approximate Shipping Weight:
- 135 lbs.

OD Series

OD-16DDC



Features

1. Solar Shield (Alumishield)
2. Front and Rear 19" Adjustable Racking Rails
3. Rear Access Door
4. Stainless Steel Door Hinge
5. 3 Point Locking System
6. Powder coat cream
7. Reusable Vent Filters

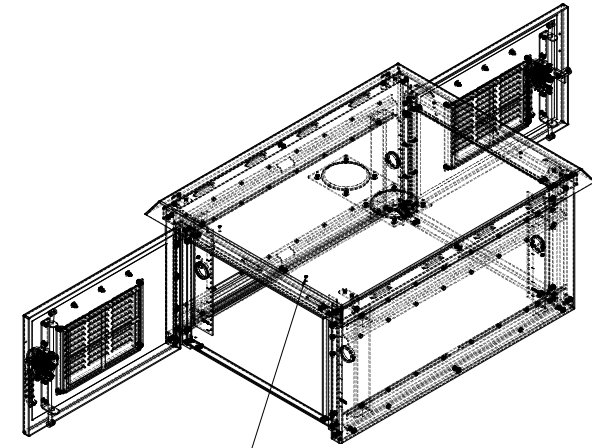
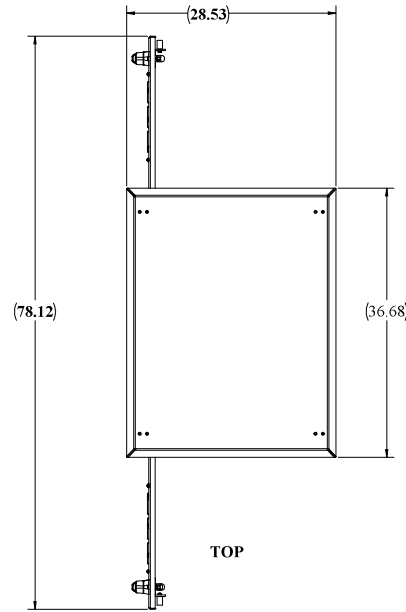
2301 S. HWY 77 Pauls Valley, OK 73075

T: (800) 753-8459 – F: (877) 220-7236

sales@ddbunlimited.com www.ddbunlimited.com

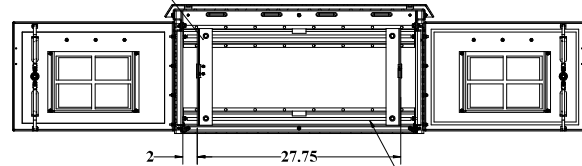
WEB DRAWING (NOT FOR FABRICATION)

REVISIONS		
REV.	DESCRIPTION	DATE
A	Web Drawing per DR-00420	11/14/2011
B	UPDATE TO REFLECT NEW COMPONENTS AND NEW DWG TEMPLATE	5/8/2014
C	UPDATED WITH 2019 FORMAT	2/11/2019
D	UPDATED DRAWING WITH DOOR RODS WITH ROLLERS PER DR-02252	3/26/2020



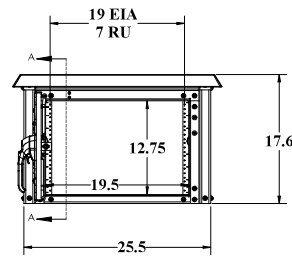
STANDOFFS STANDARD FOR OPTIONAL LIGHTING OVER EACH DOOR

FRONT AND REAR RAIL STANDARD ON DD

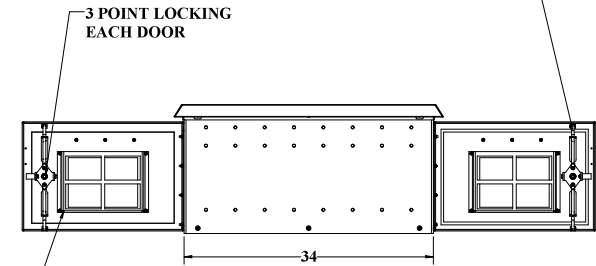


SECTION A-A
SCALE 1 : 8

R-STRUTS FOR RAIL ADJUSTMENTS



FRONT



RIGHT SIDE

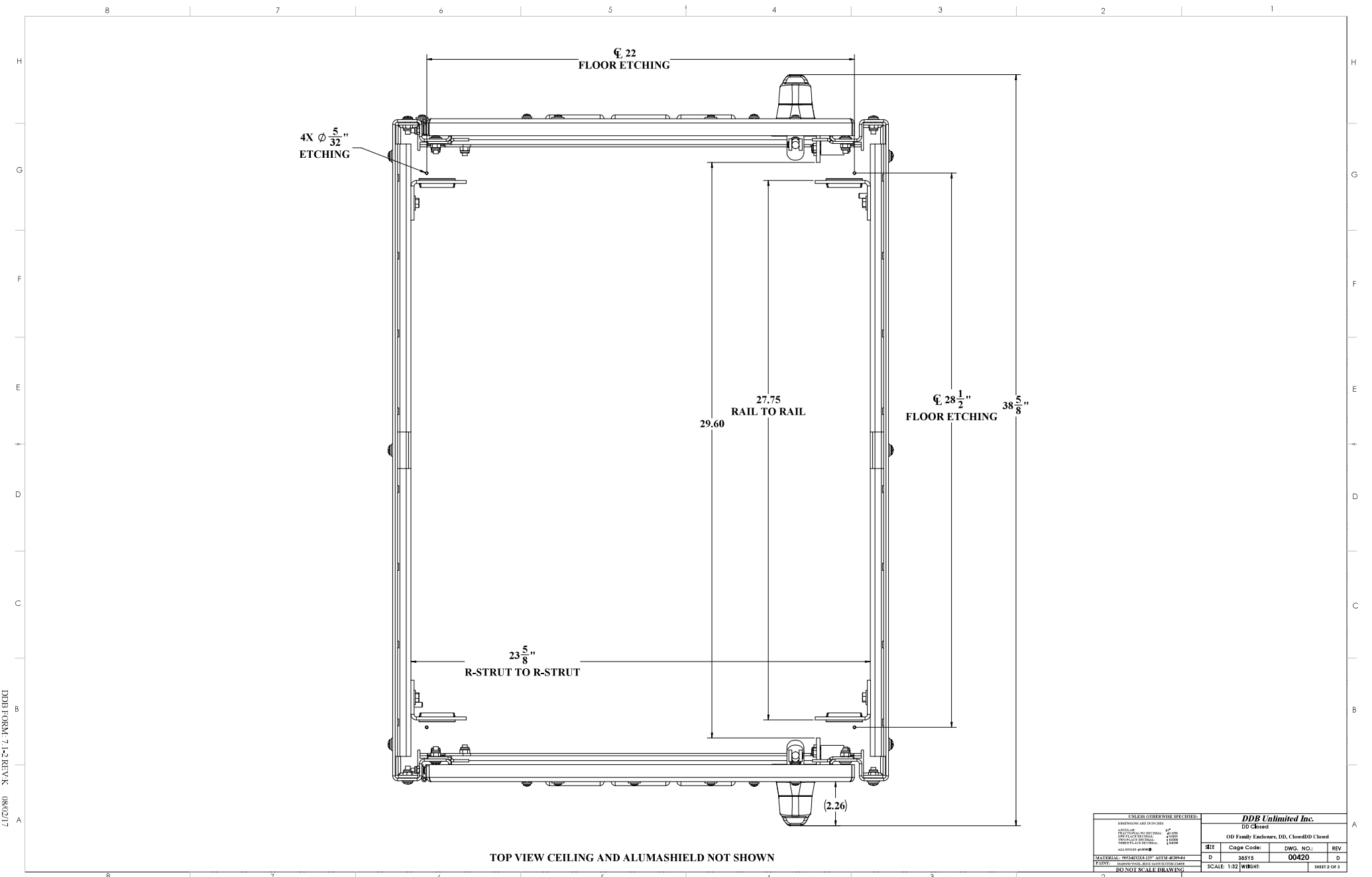
WEB DRAWING (NOT FOR FABRICATION)

UNLESS OTHERWISE SPECIFIED:		NAME	DATE	DDB Unlimited Inc.			
COMPONENTS AND PARTS	Model by:	0008	11/14/2011	OD Family Enclosures			
APPLICABLE STANDARDS	Drawn by:	Marcel	02/23/19	Enclosure, OD, 16, DD			
DESIGN STANDARDS	Checked by:	01/03					
PRODUCTION STANDARDS	Sales Rep. by:	01/03					
ASSEMBLY STANDARDS	Q.A. Appr. by:	01/27/20		SHE	Cage Code:	DWG. NO.:	REV
MATERIALS: 99% ALUMINUM EXTRUSION	Prod. Mgr. by:	01/27/20		D	88515	00420	D
FINISH: ANODIZED ALUMINUM	Created by:			SCALE: 1:32 WEK-HF-B4 Etc. SHEET 1 OF 3			
DO NOT SCALE DRAWING							

UNCLASSIFIED PUBLIC

File Location: (DDB)\EPDM Vse\Dr\ C:\DDI\Drawing Requests\Customers\ODM WEB DWG\OD Family WEB\DR-00420 (OD-16)DD

DDB FORM 7.1.2 REV 05/02/19



4X $\phi \frac{5}{32}$ "
ETCHING

$\phi 22$
FLOOR ETCHING

29.60

27.75
RAIL TO RAIL

$\phi 28 \frac{1}{2}$ "
FLOOR ETCHING

$38 \frac{5}{8}$ "

$23 \frac{5}{8}$ "
R-STRUT TO R-STRUT

(2.26)

TOP VIEW CEILING AND ALUMASHIELD NOT SHOWN

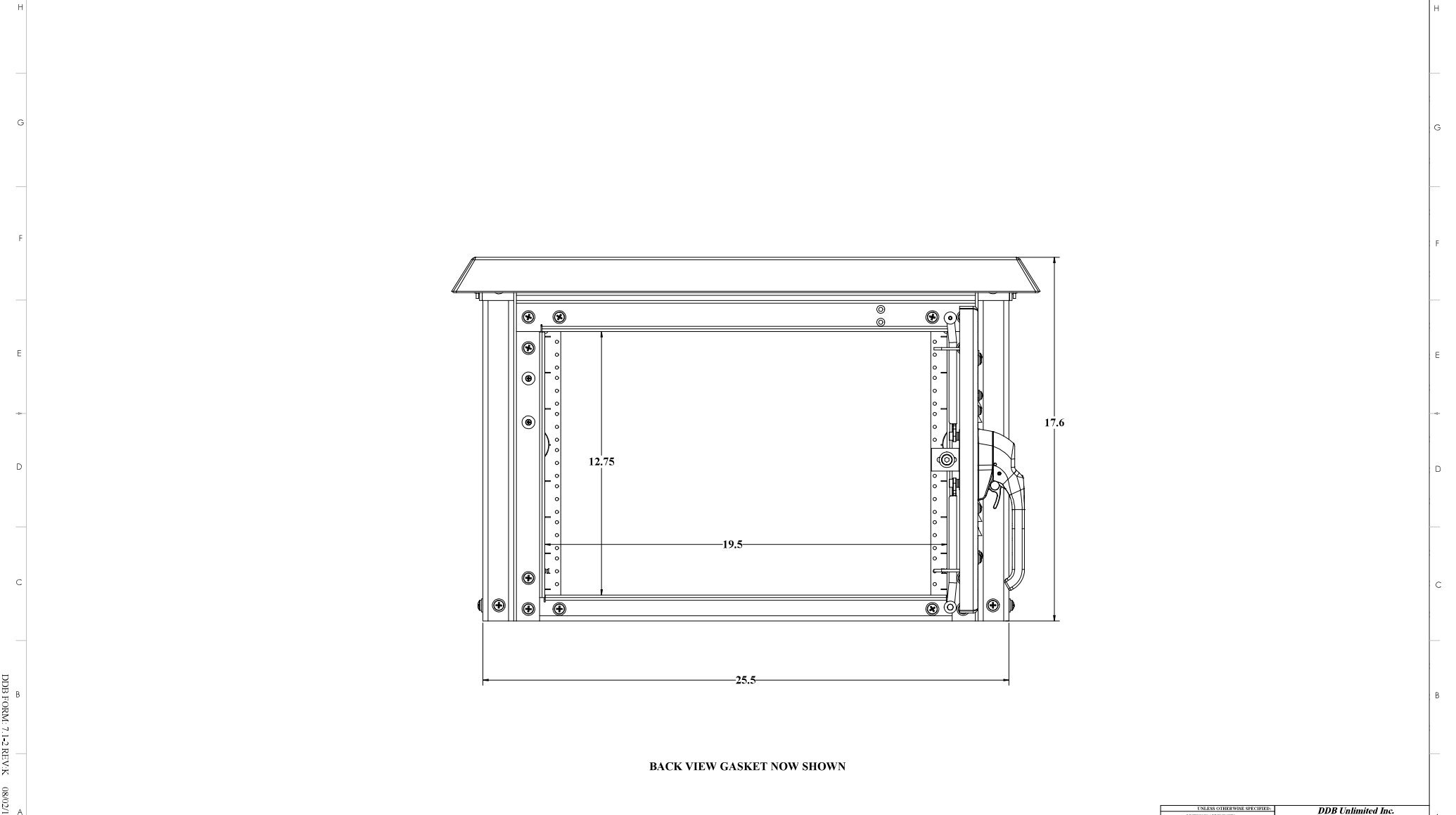
UNLESS OTHERWISE SPECIFIED:			
DIMENSIONS ARE IN INCHES			
FINISH	WALL	1"	0.000
FINISH	FRAMING	1/8"	0.000
FINISH	TRUCKS	1/16"	0.000
FINISH	DRILL HOLES	1/16"	0.000
FINISH	ALL OTHERS	0.000	0.000
MATERIALS: UNLESS OTHERWISE SPECIFIED, ALL MATERIALS SHALL BE AS SHOWN ON THE DRAWING.			
PAINT: UNLESS OTHERWISE SPECIFIED, ALL PAINT SHALL BE AS SHOWN ON THE DRAWING.			
DO NOT SCALE DRAWING			
DDB Unlimited Inc.			
DD Closed			
DD Family - Pedure, DD, Closed/DD Closed			
REV	Code Code:	DWG. NO.:	REV
D	28515	00420	D
SCALE: 1:32		WEIGHT:	SHEET 2 OF 3

UNCLASSIFIED PUBLIC
THE INFORMATION CONTAINED IN THIS DRAWING IS THE SOLE PROPERTY OF DDB Unlimited, INC. ANY REPRODUCTION IN PART OR AS A WHOLE WITHOUT THE WRITTEN PERMISSION OF DDB Unlimited, INC. IS PROHIBITED.

File Location: (DD) (EPDM Vault)
C:\DD\Drawing Request\Customers\138 WEB DWG\DD Family WEB\DR-00420 (DD-16DD)\

DDB FORM 7.1-2 REV. A (08/02/17)

8 7 6 5 4 3 2 1



BACK VIEW GASKET NOW SHOWN

UNLESS OTHERWISE SPECIFIED:			
DIMENSIONS ARE IN INCHES	GSI-16DD		
ANGLE DIMENSIONS ARE DEGREES	Engineer: O.D. 16, DBOB-16DD		
DRAWING SCALE: AS SHOWN	REV	Code Code:	DWG. NO.: 00420
DRAWING DATE: 08/02/17	D	REV	D
SCALE: 1:32	W887H:	SHEET 3 OF 3	

UNCLASSIFIED PUBLIC
 THE INFORMATION CONTAINED IN THIS DRAWING IS THE SOLE PROPERTY OF DDB Unlimited, INC. ANY
 REPRODUCTION IN PART OR AS A WHOLE WITHOUT THE WRITTEN PERMISSION OF DDB Unlimited, INC. IS PROHIBITED.

File Location: (DDB) EPDM Vault\
 C:\DDB\Drawing Request\Customers\Global WEB DWG\CD Family WEB\DR-00420 (GSI-16DD)\

DDB FORM 7.1-2 REV 1/16 08/02/17