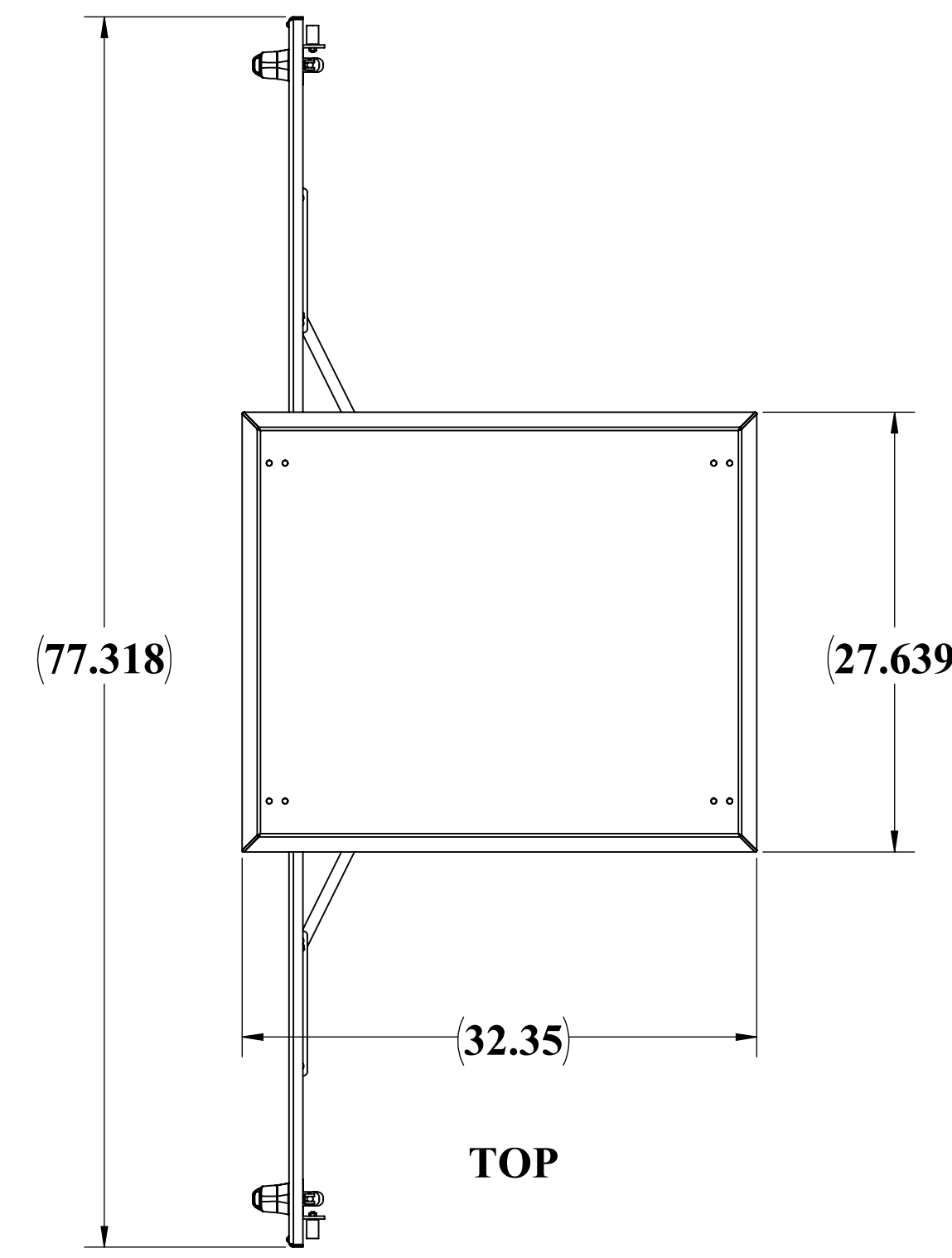
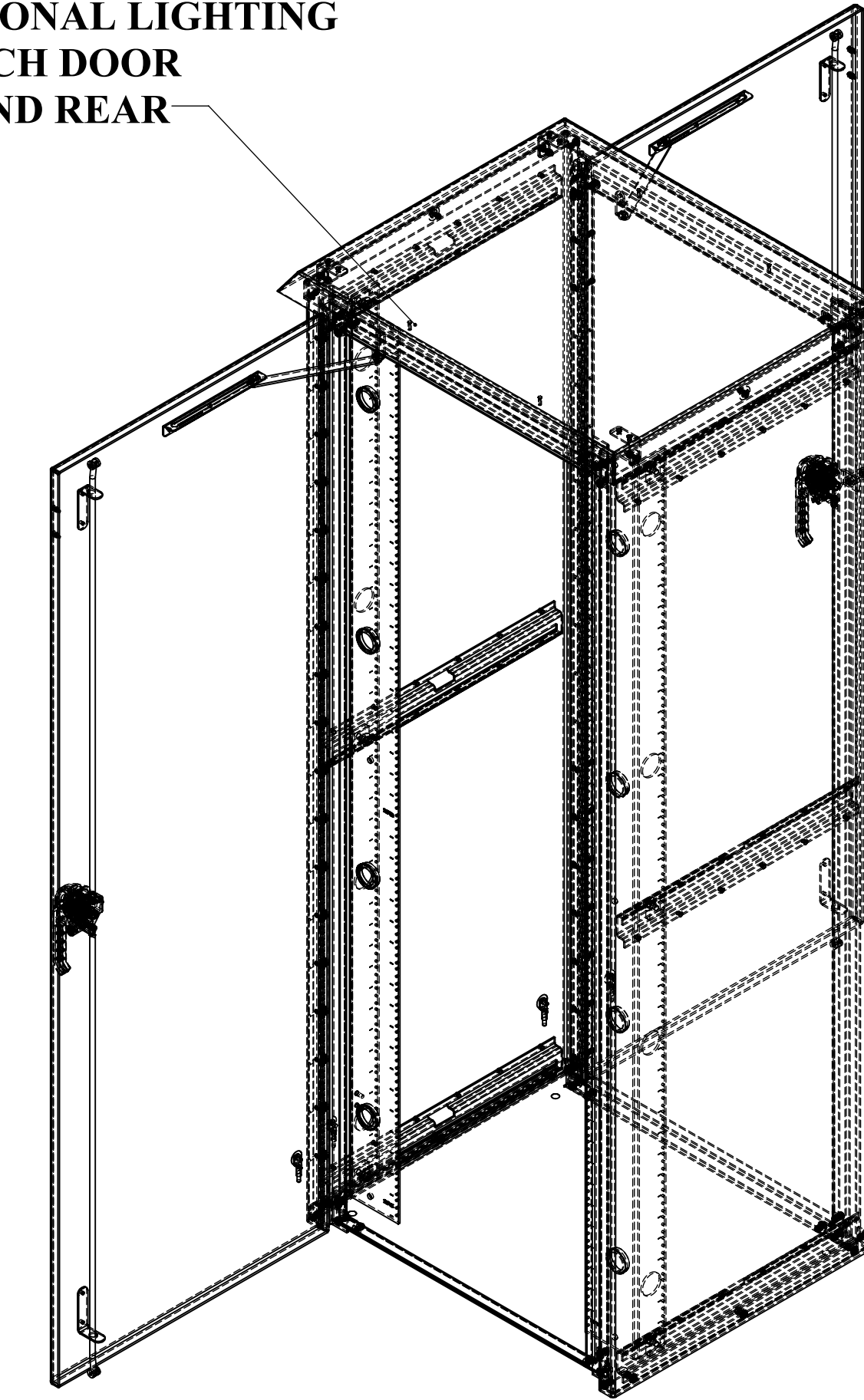


WEB DRAWING (NOT FOR FABRICATION)

REVISIONS		
REV.	DESCRIPTION	DATE
A	CREATED DRAWING PER DR-02061	7/17/2019



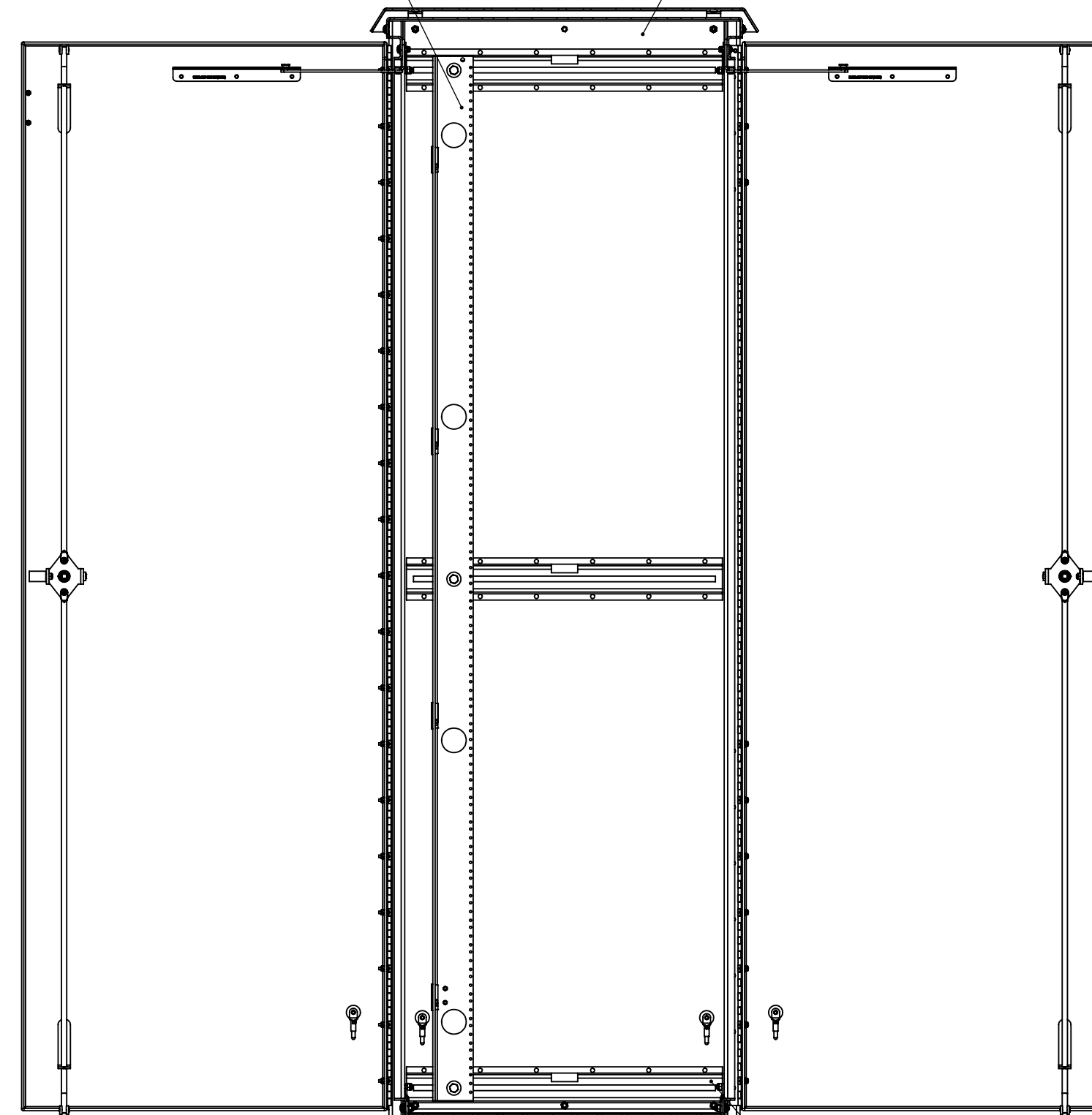
STANDOFFS ARE STANDARD FOR OPTIONAL LIGHTING OVER EACH DOOR FRONT AND REAR



STANDARD WINDLOCKS FOR EACH DOOR

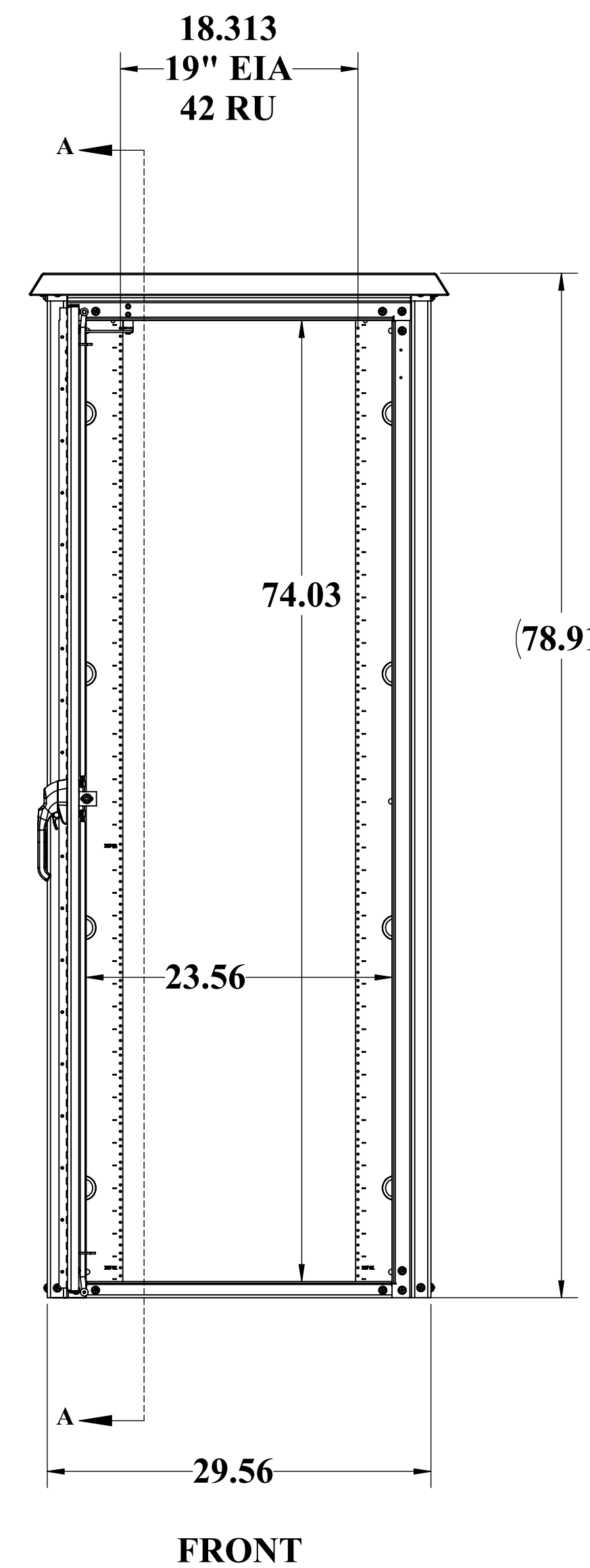
FRONT SET OF RAILS ARE STANDARD

NO CEILING LOUVERS



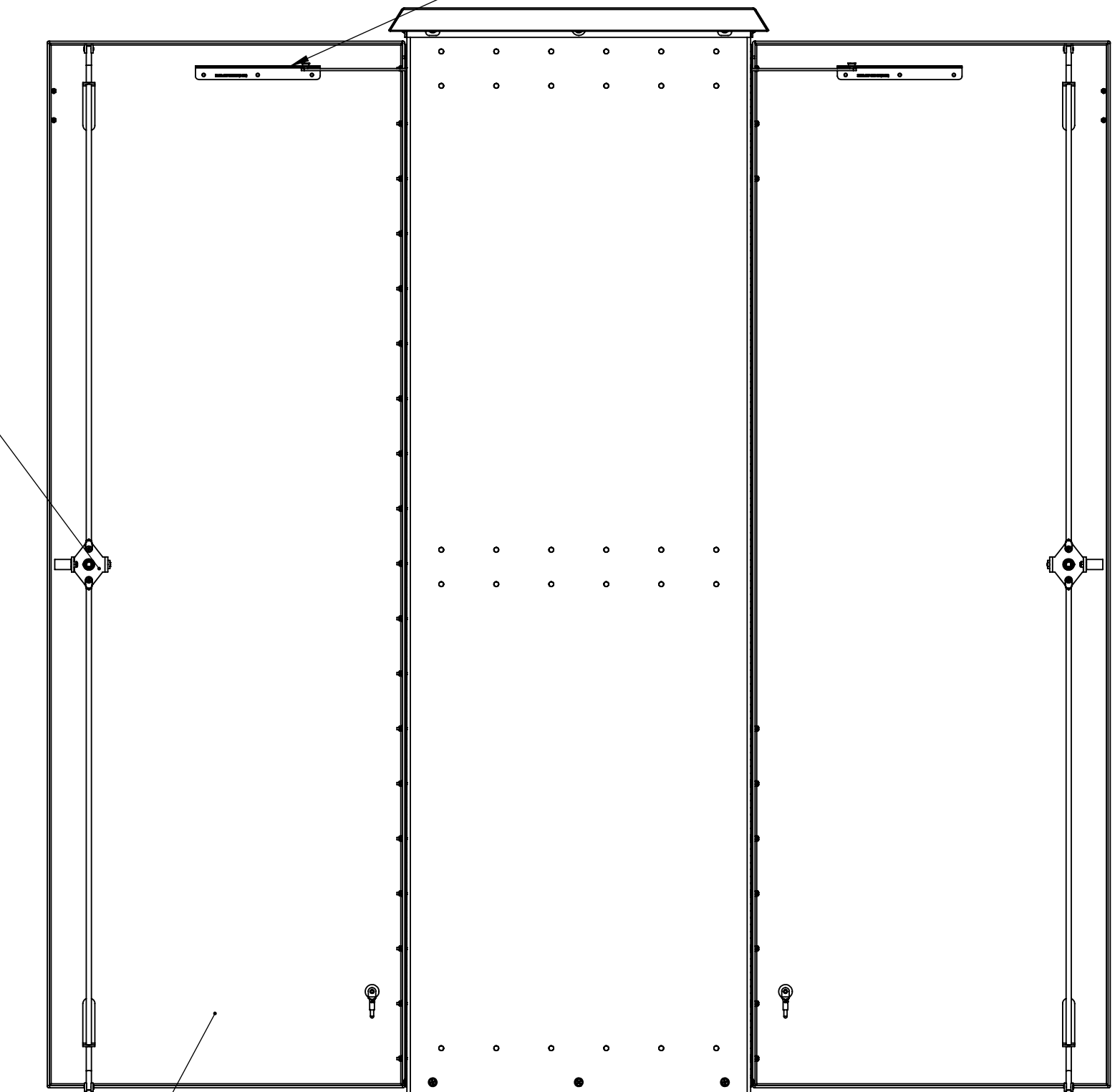
SECTION A-A
SCALE 1 : 10

R-STRUTS FOR RAIL ADJUSTMENTS



3 POINT LOCKING EACH DOOR

NO FILTERED LOUVERS

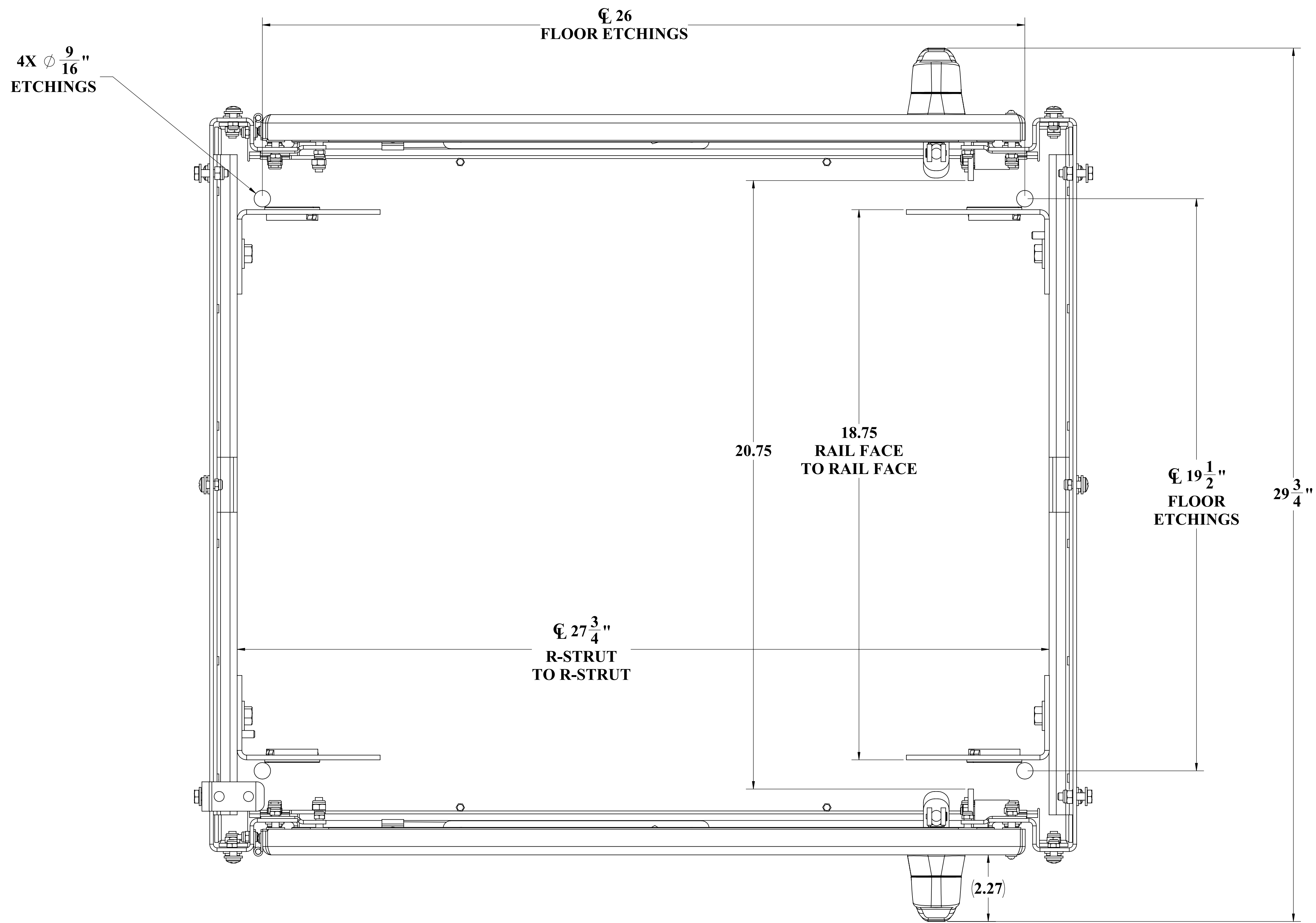


RIGHT SIDE
WEB DRAWING (NOT FOR FABRICATION)

UNLESS OTHERWISE SPECIFIED:		NAME	DATE	DDB Unlimited Inc.		
DIMENSIONS ARE IN INCHES		Model by:	DDB	7/17/2019	WOD-XXXX-UL50	
ANGULAR:	FRACTIONAL/NO DECIMAL	1/16"	Drawn by:	Geron E.	7/17/2019	WOD, 78"H, DX-UL50
	ONE PLACE DECIMAL	0.1250	Sales.Rep.:			
	TWO PLACE DECIMAL	0.0025	Q.A.Appr.:	tray	07/18/19	SIZE Cage Code: DWG. NO.: REV
	THREE PLACE DECIMAL	0.0005	Prod.Mgr.:	ClarkK	07/19/19	D 385Y5 02061 A
ALL HOLES: #10X1/8"		MATERIAL THICKNESS IS:	0.125"	Control Number:		SCALE: 1:12 WEIGHT: 195 lbs. SHEET 1 OF 3
MATERIAL: 5052-H32-0.125" ASTM-B209-04		PAINT: BRANSON VOGEL BRIDGE GLOSS TEXTURE ET-4328		DO NOT SCALE DRAWING		

PROPRIETARY AND CONFIDENTIAL
 THE INFORMATION CONTAINED HEREIN IS THE SOLE PROPERTY OF DDB Unlimited, INC. ANY
 REPRODUCTION IN PART OR AS A WHOLE WITHOUT THE WRITTEN PERMISSION OF DDB Unlimited, INC. IS PROHIBITED.

WEB DRAWING (NOT FOR FABRICATION)



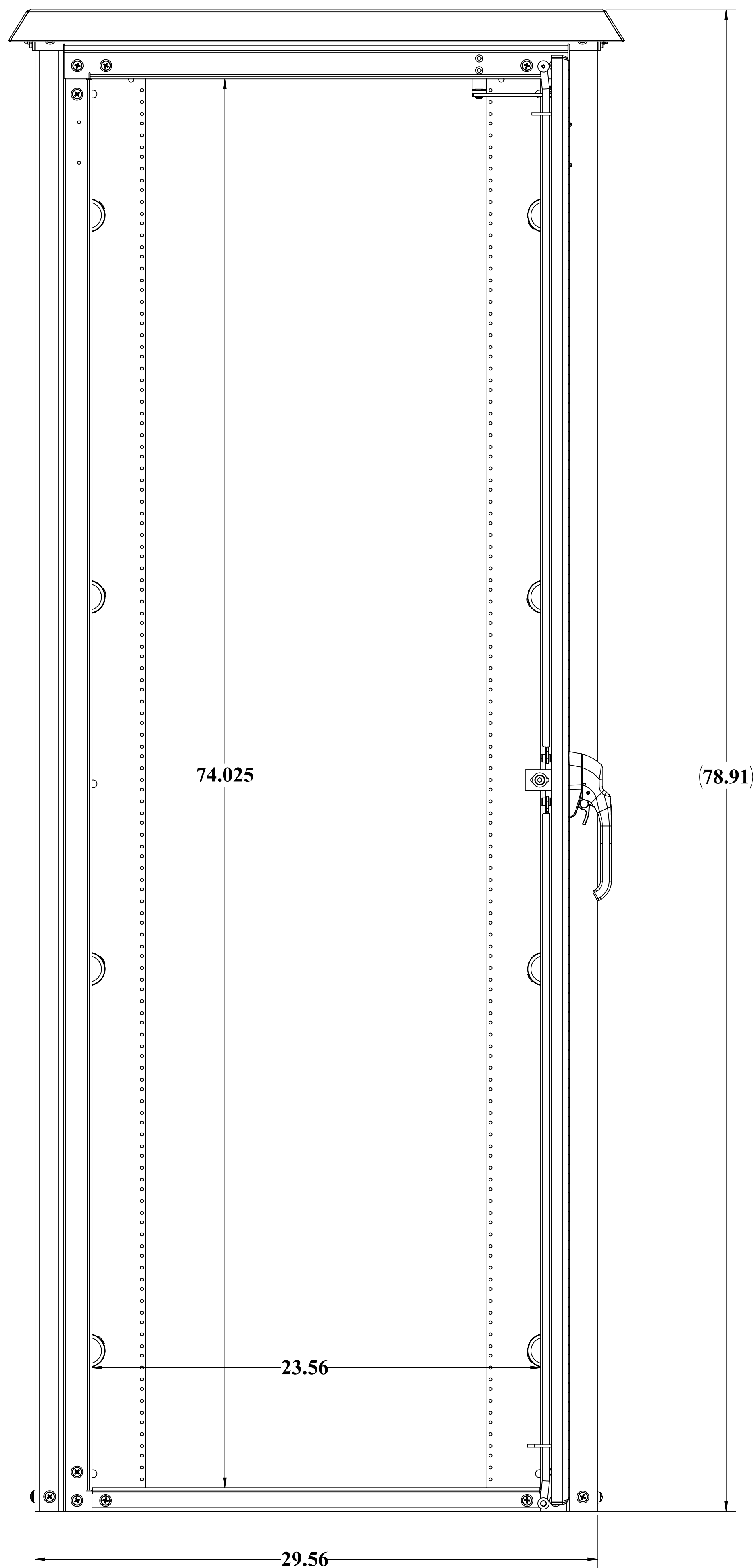
TOP VIEW
NO CEILING OR ALUMASHIELD SHOWN

WEB DRAWING (NOT FOR FABRICATION)

UNLESS OTHERWISE SPECIFIED:		DDB Unlimited Inc.	
DIMENSIONS ARE IN INCHES		DX-UL50E-CLOSED	
ANCHOR:		WOD, CLOSED, DX-UL50	
FRACTIONAL NO DECIMAL: ± 0.125		SIZE	Cage Code: DWG. NO.: REV
ONE PLACE DECIMAL: ± 0.0625		D	385Y5 02061 A
TWO PLACE DECIMAL: ± 0.03125		SCALE: 1:12 WEIGHT: 77 lbs. SHEET 2 OF 3	
THREE PLACE DECIMAL: ± 0.015625			
ALL HOLES: ± 0.03125			
MATERIAL: 5052-H32-0.125" ASTM-B209-04		DO NOT SCALE DRAWING	
PAINT: DIAMOND VOGEL, BEIGE GLOSS TEXTURE FT-620			

PROPRIETARY AND CONFIDENTIAL
 THIS DRAWING IS THE SOLE PROPERTY OF DDB Unlimited, INC. ANY
 REPRODUCTION IN PART OR AS A WHOLE WITHOUT THE WRITTEN PERMISSION OF DDB Unlimited, INC. IS PROHIBITED.

WEB DRAWING (NOT FOR FABRICATION)



BACK VIEW
GASKET NO SHOWN

WEB DRAWING (NOT FOR FABRICATION)

UNLESS OTHERWISE SPECIFIED:			
DIMENSIONS ARE IN INCHES			
ANGULAR:	1°		
FRACTIONAL NO DECIMAL:	1/32		
ONE PLACE DECIMAL:	0.0625		
TWO PLACE DECIMAL:	0.03125		
THREE PLACE DECIMAL:	0.015625		
ALL HOLES: ±0.0031			
MATERIAL:	5052-H32-O.125" ASTM-B209-04		
PAINT:	DIAMOND VOGEL, BEGG GLOSS TEXTURE FT-408		
DO NOT SCALE DRAWING			
DDB Unlimited Inc.		WOD-78DX-UL50E	
WOD, 78" H, DX-UL50			
SIZE	Cage Code:	DWG. NO.:	REV
D	385Y5	02061	A
SCALE: 1:12		WEIGHT: 195 lbs.	SHEET 3 OF 3

PROPRIETARY AND CONFIDENTIAL
THIS DRAWING IS THE SOLE PROPERTY OF DDB Unlimited, INC. ANY
REPRODUCTION IN PART OR AS A WHOLE WITHOUT THE WRITTEN PERMISSION OF DDB Unlimited, INC. IS PROHIBITED.

DDB FORM: 7.1-2-REV:K 08/02/17