

# 2OD Series

## 2OD-78DXC



### Why Choose the 2OD Series?

When a single bay solution just isn't sufficient, the 2OD series enclosures are ideal. Constructed of our own rugged Alumiflex®, it is noticeably lighter than steel yet strong enough to rack the heaviest equipment. The 2OD-78DXC includes a number of standard features, such as an adjustable racking system with a versatile rail strut system (R-Strut), a 3-point locking system for security, a reversible rack system for 19" and 23" applications, lifting hooks for easy maneuvering into place, wind locks to secure doors safely when they are open, and our patented Alumishield® solar cap for managing heat loads. Furthermore, DDB offers an array of customizable choices, which include climate control (HVAC), electrical load panels, and cable entry solutions. These possibilities combine to produce an enclosure that can be customized to meet the specific needs that your site and clients may require. The 2OD undoubtedly closes the gap between single-bay enclosures and larger building "hut" solutions, giving you the flexibility to meet any need in the field without the required stamps or inspections that traditional "huts" do. With an industry-leading 15-year warranty on every enclosure, DDB provides cutting-edge design, competitive pricing, benchmark lead times, and guaranteed delivery. Whether you require a custom enclosure or something from our substantial stock, our professional staff is here to help you today.



### Features

- 15 Year Warranty
- 0.125" Aluminum Construction
- 3 Point Lock System
- Heavy Duty Out-Door Construction
- Front and Rear Access
- Standard Lifting Hooks
- Stainless Steel External Hardware/Hinge
- Cream Powder-Coat, Standard
- Quick Shipping

### Weight and Dimensions

- Approximate Exterior Enclosure Dimensions:  
79"H x 65"W x 30"D
- Shipping Dimensions:  
54"L x 84"W x 84"H - Palletized
- Approximate Shipping Weight:  
505 lbs.

### Application Types

- Telecommunications
- Wireless/Broadband
- Fiber Optics
- Back Haul
- Public Safety
- Utility
- Base Station
- Military
- Trailer-Based Communications
- Wi-Fi
- LTEE/4G/5G



### Environmental & Safety Ratings:

- ✓ NEMA 3R (shown above)
- ✓ NEMA 4 and 4X configurable (not shown)

2301 S. HWY 77 Pauls Valley, OK 73075  
T: (405)-665-2876

# 20D Series

## 20D-78DXC



### Features

1. Alumishield
2. 19" and 23" Adjustable Racking Rails
3. 3 Point Locking System
4. Stainless Steel Door Hinge
5. Powder-Coat Cream
6. Wind Locks
7. Rear Door Access
8. Reusable Filters
9. Heavy Duty 0.160" Doors

Scan this code for  
Climate Control



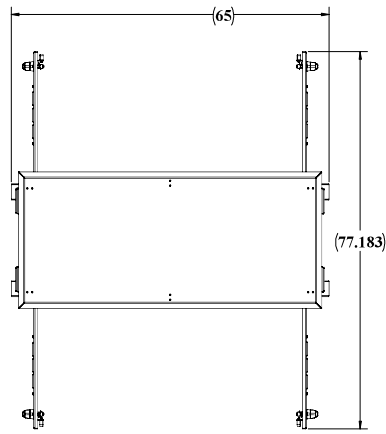
Scan this code for  
Accessories



2301 S. HWY 77 Pauls Valley, OK 73075  
T: (405)-665-2876

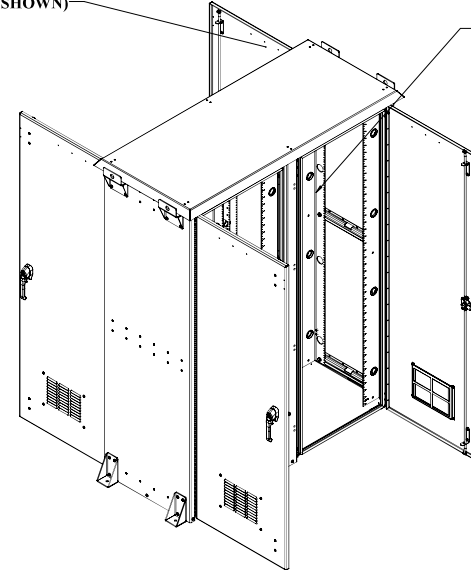
[sales@ddbunlimited.com](mailto:sales@ddbunlimited.com) [www.dbbunlimited.com](http://www.dbbunlimited.com)

REVISIONS		
REV.	DESCRIPTION	DATE
A	Initial Release per DR-00969	5/28/2014
B	UPDATED TO 2017 WEBSITE FORMAT	8/9/2017
C	UPDATED NEW FORMAT	11/25/2020

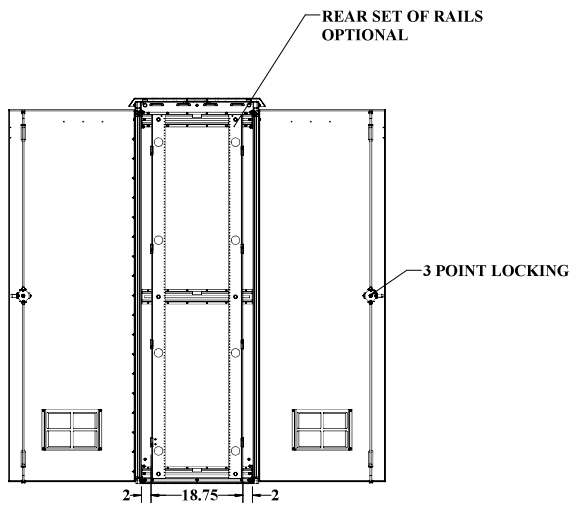
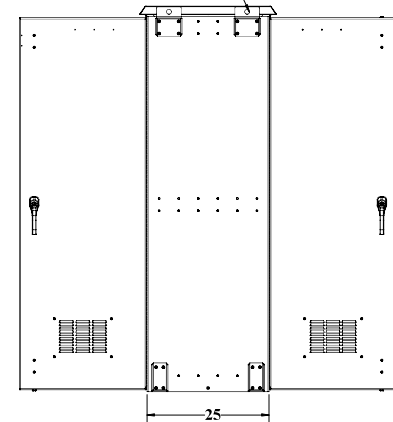


STANDARD WINDLOCKS  
(NOT SHOWN)

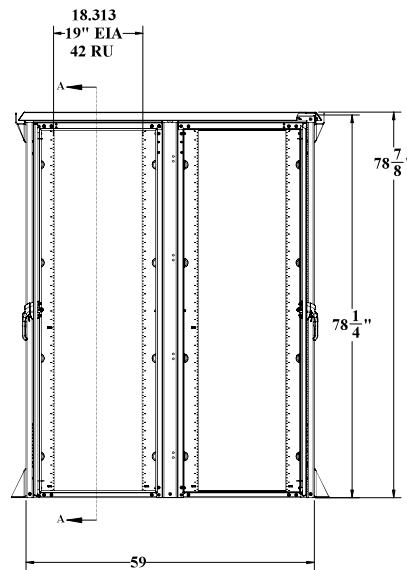
REAR SET OF RAILS  
OPTIONAL



STANDARD I-HOOKS



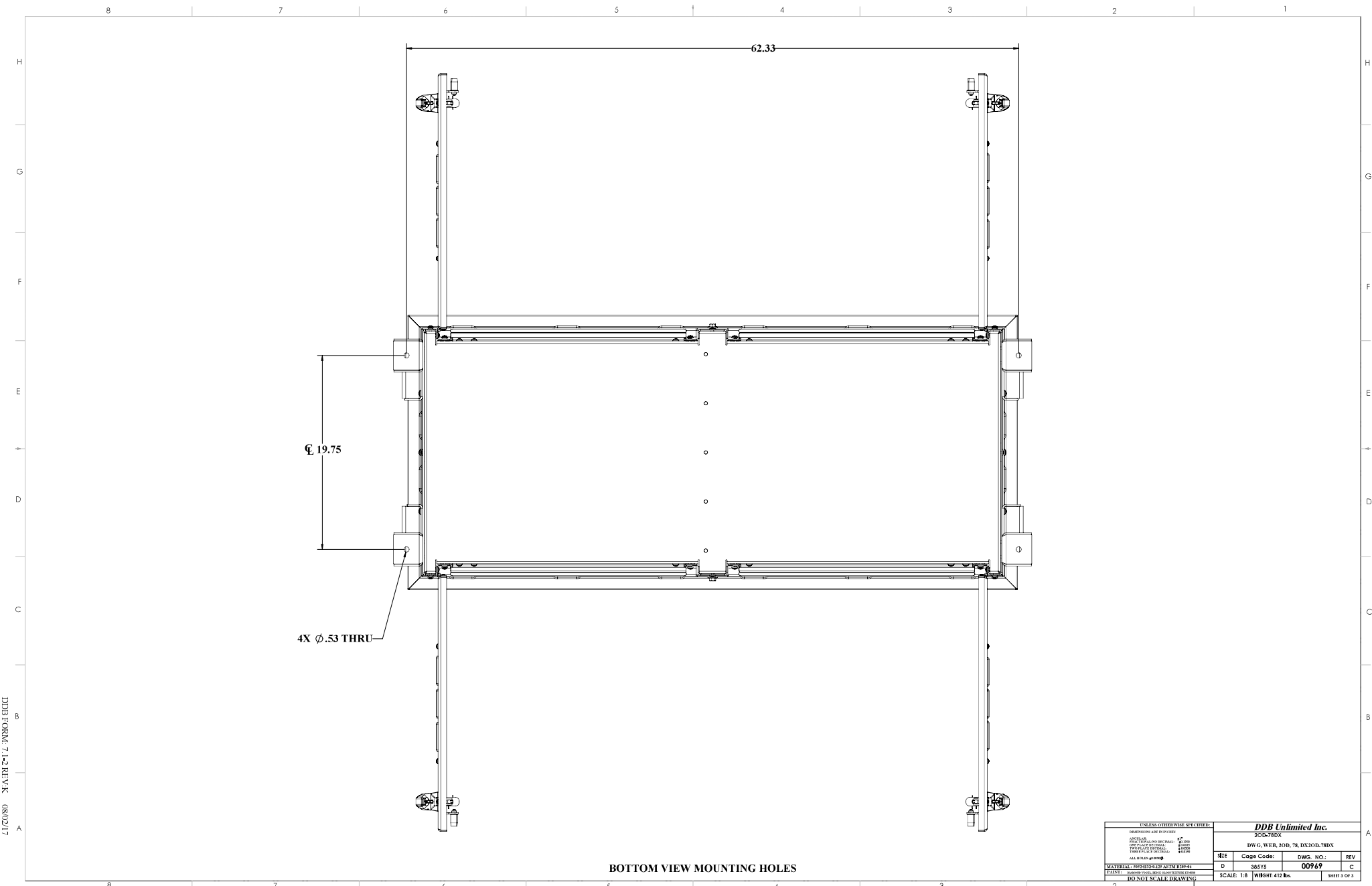
SECTION A-A  
SCALE 1:12



UNLESS OTHERWISE SPECIFIED:			
DIMENSIONS ARE IN INCHES			
FINISH	POSSIBLE FINISHES	FINISH	
EXTERIOR	POSSIBLE FINISHES	FINISH	
INTERIOR	POSSIBLE FINISHES	FINISH	
PAINT	POSSIBLE FINISHES	FINISH	
ALL DIMENSIONS ARE TO FACE UNLESS OTHERWISE SPECIFIED			
MATERIALS SPECIFIED BY ALTA SYSTEMS			
PAINT: DIMENSIONAL: RFD: UNPAINTED 17-20			
DO NOT SCALE DRAWING			
DDB Unlimited Inc.		2020-78DX	
DWG. WEB. 30D. 78. DX			
SHEET	Code Code:	DWG. NO.:	REV
D	38515	00969	C
SCALE: 1:8		WEIGHT: 412 Lbs.	SHEET 1 OF 3

UNCLASSIFIED PUBLIC





19.75

62.33

4X Ø.53 THRU

**BOTTOM VIEW MOUNTING HOLES**

UNCLASSIFIED PUBLIC

UNLESS OTHERWISE SPECIFIED:			
2024785X			
DESCRIPTION AND QUANTITY	UNIT		
QUANTITY	UNIT		
DESCRIPTION	UNIT		
QUANTITY	UNIT		
DESCRIPTION	UNIT		
QUANTITY	UNIT		
ALL DIMENSIONS IN MILLIMETERS			
MATERIALS SPECIFIED BY ASTM B700-04			
PAINT: POWDER COAT, BLACK CONFORMING TO MIL-PRC-13883			
DO NOT SCALE DRAWING			
DDB Unlimited Inc.			
DING-WEB, 30D, 78, 8X30D-78DX			
REV	Code Code:	DWG. NO.:	REV
D	28515	00969	C
SCALE: 1:8		WEIGHT: 412 lbs	SHEET 2 OF 3

DDB FORM 7.1-2 REV. A (08/02/17)