



An ISO 9001
Certified company

WOD Series-UL Listed

WOD-16DXC-UL50

Made in America



Believing in American
Craftsmanship



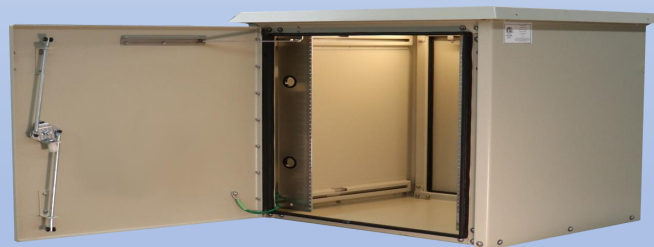
Why Choose the WOD Series-UL Listed?

The WOD-16DXC-UL50 enclosure is the pinnacle of enclosures. With a fully welded chassis, heavy duty vulcanized gasketing and years of design and engineering behind it, you will find this will meet the most stringent requirements of the UL-50E Type 4 listing. Fully tested by a third party Nationally Recognized Testing Laboratory and listed to the UL-50E standard, you can trust that the WOD UL series will pass any test or inspection it faces. Designed with public safety requirements in mind, these units can be placed in mission critical locations where communication or sensitive gear needs to be protected regardless of the situation. As with the standard WOD series, the WOD-UL series comes with standard 3 point locking, front and rear access with integrated wind locks, top mounted solar shield, adjustable R-strut racking, reversible 19" or 23" EIA racking, Alumiflex construction and our unmatched 15-year warranty. Moreover, there is an extensive list of optional accessories including HVAC units, electrical panels, and cable entry solutions to name a few. No matter the application, DDB provides cutting-edge design, competitive pricing, benchmark lead times, and guaranteed delivery. Whether you require a custom enclosure or something from our substantial stock, our professional staff is here to help you today.



Application Types

- Telecommunications
- Wireless/Broadband
- Fiber Optics
- Back Haul
- Public Safety
- DAS
- Utility
- Base Station
- Military
- Trailer-Based Communications
- Wi-Fi
- LTEE/4G/5G



Environmental & Safety Ratings:

- ✓ UL Type 4 (shown above)

Features

- 15 Year Warranty
- 0.125" Aluminum Construction
- 3 Point Lock System
- Heavy Duty Out-Door Construction
- Front and Rear Access
- Stainless Steel External Hardware/Hinge
- Cream Powder-Coat, Standard
- Wind Locks
- Quick Shipping

Weight and Dimensions

Approximate Exterior Enclosure Dimensions:

18"H x 33"W x 30"D

Shipping Dimensions:

42"L x 32"W x 26"H- Palletized

Approximate Shipping Weight:

120 lbs.

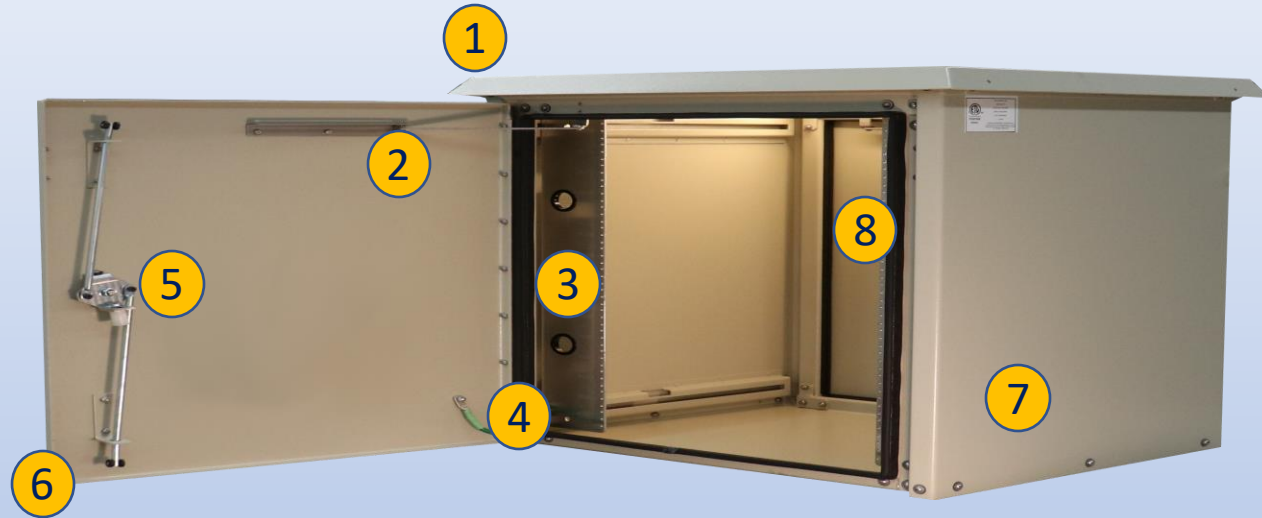
2301 S. HWY 77 Pauls Valley, OK 73075

T: (405)-665-2876

sales@ddbunlimited.com www.ddbunlimited.com

WOD Series-UL Listed

WOD-16DXC-UL50



Features

1. Alumishield
2. Wind Locks
3. 19" and 23" Adjustable Racking Rails
4. Stainless Steel Door Hinge
5. 3 Point Locking System
6. Heavy Duty 0.160" Doors
7. Powder-Coat Cream
8. Rear Door Access

2301 S. HWY 77 Pauls Valley, OK 73075

T: (405)-665-2876

sales@ddbunlimited.com www.ddbunlimited.com

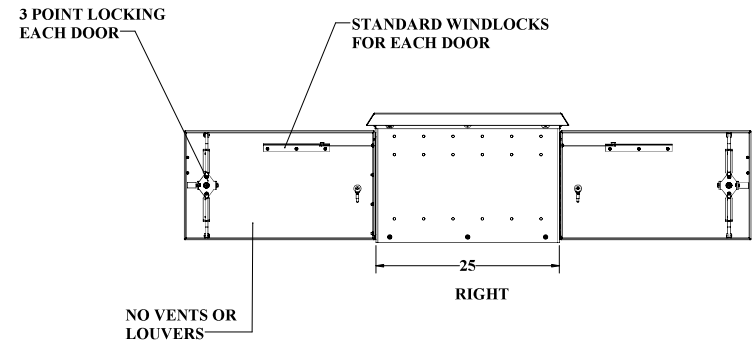
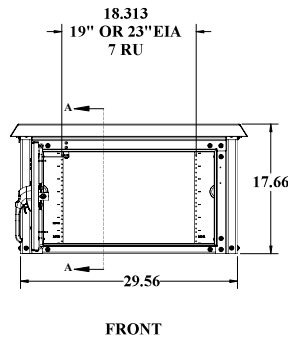
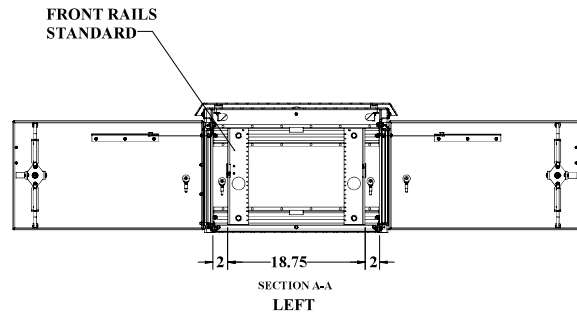
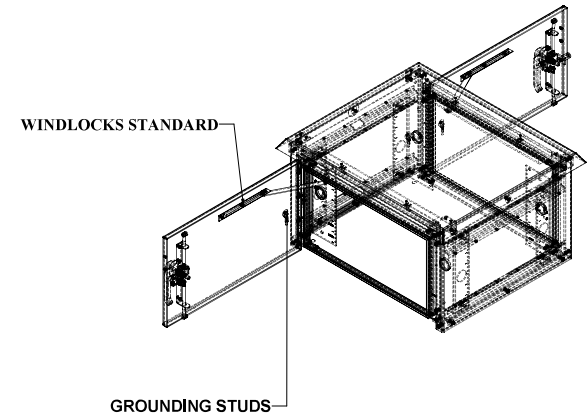
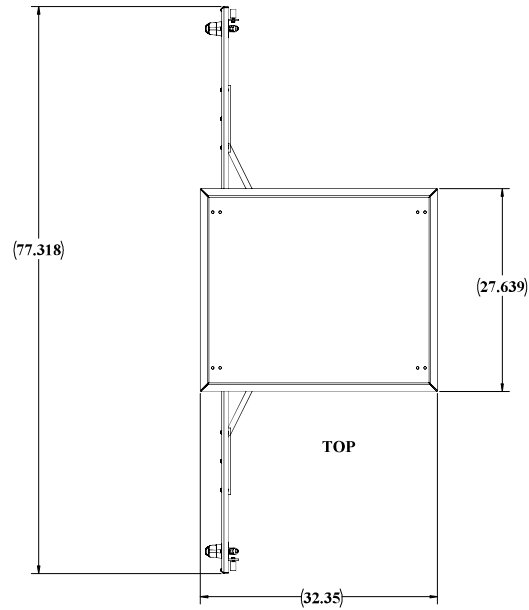
Scan this code for
Climate Control



Scan this code for
Accessories



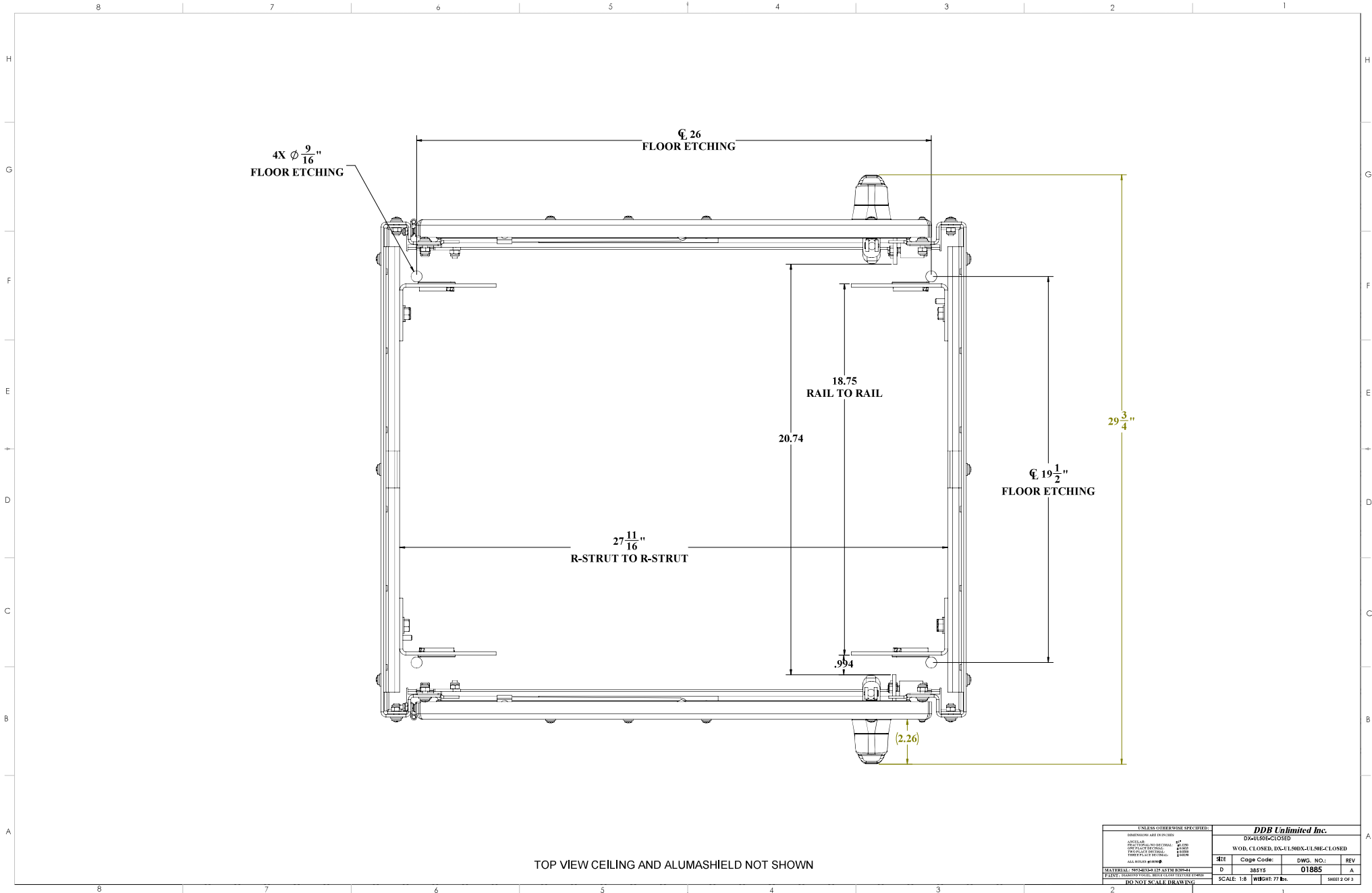
REVISIONS		
REV.	DESCRIPTION	DATE
A	WEBSITE DRAWING WOD-16DX-UL50	11/30/2018



WELDED ENCLOSURE

UNCLASSIFIED PUBLIC

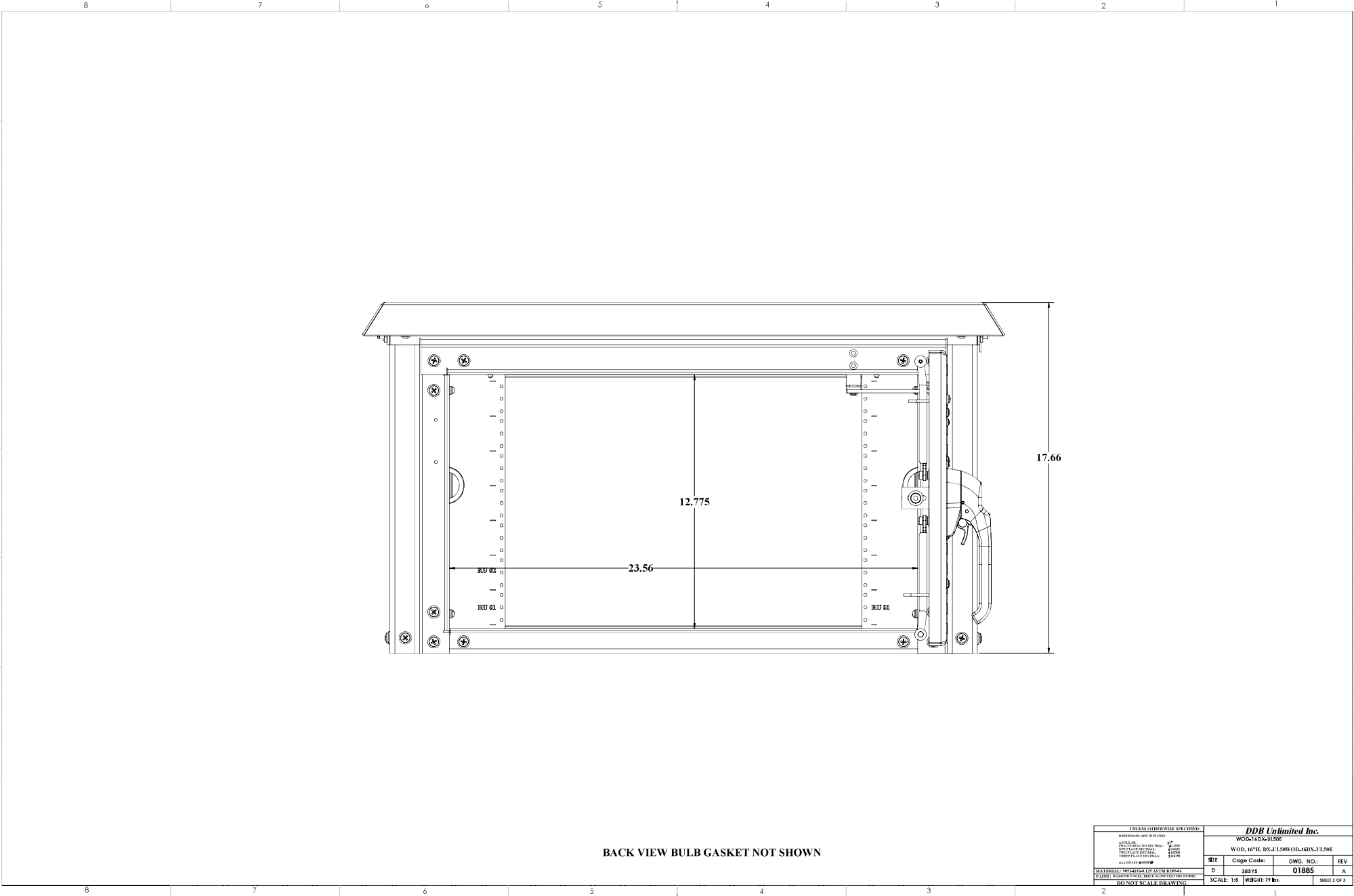
UNLESS OTHERWISE SPECIFIED:			
DIMENSIONS ARE IN INCHES	DDB <i>Unlimited Inc.</i>		
FINISHES ARE AS SHOWN	WOD-16DX-UL50E		
WELDED ENCLOSURE	WOD-16DX-UL50E		
DRILLING SPECIAL	SIZE	CODE	REV
DRILLING SPECIAL	D	28515	01885
DRILLING SPECIAL	SCALE: 1:8		WEIGHT 79 lbs.
DR NOT SCALE DRAWING		SHEET 1 OF 3	



DDB FORM: 7.1.2 REV: AK 08/02/17

UNCLASSIFIED PUBLIC

UNLESS OTHERWISE SPECIFIED:			
DIMENSIONS ARE IN INCHES			
FINISH	FINISH	FINISH	FINISH
SMOOTH	SMOOTH	SMOOTH	SMOOTH
PAINT	PAINT	PAINT	PAINT
DDB Unlimited Inc.			
WOB. CLOSED, IN-CL. SHIELD, CLOSED			
REV	Code Code:	DWG. NO.:	REV
D	28515	01885	A
SCALE: 1:8		WEIGHT: 77 lbs.	SHEET 2 OF 3



BACK VIEW BULB GASKET NOT SHOWN

UNCLASSIFIED PUBLIC

UNLESS OTHERWISE SPECIFIED:			
DIMENSIONS ARE IN INCHES			
FINISH	W/100	W/200	W/300
DRILLING	AS SHOWN	AS SHOWN	AS SHOWN
DRILLING TOLERANCE	±0.010	±0.010	±0.010
DRILLING POSITIONAL TOLERANCE	±0.010	±0.010	±0.010
DRILLING SURFACE FINISH	AS SHOWN	AS SHOWN	AS SHOWN
ALL DIMENSIONS UNLESS OTHERWISE SPECIFIED	ARE IN INCHES		
MATERIALS SPECIFIED BY ALTIM BURNHAM	UNLESS OTHERWISE SPECIFIED		
DDB Form 7.1.2 REV. A 08/02/17			
DO NOT SCALE DRAWING			
SCALE: 1:8 WEIGHT 79 lbs. SHEET 3 OF 3			

DDB Unlimited Inc.

WOD-160X-UL50E

W: 10.125" H: 11.5" W: 11.5" W: 11.5"

REV: 01885