



An ISO 9001
Certified company

WOD Series-UL Listed

WOD-30DDXC-UL50

Made in America



Believing in American
Craftsmanship



Why Choose the WOD Series-UL Listed?

The WOD-30DDXC-UL50 enclosure is the pinnacle of enclosures. With a fully welded chassis, heavy duty vulcanized gasketing and years of design and engineering behind it, you will find this will meet the most stringent requirements of the UL-50E Type 4 listing. Fully tested by a third party Nationally Recognized Testing Laboratory and listed to the UL-50E standard, you can trust that the WOD UL series will pass any test or inspection it faces. Designed with public safety requirements in mind, these units can be placed in mission critical locations where communication or sensitive gear needs to be protected regardless of the situation. As with the standard WOD series, the WOD-UL series comes with standard 3 point locking, front and rear access with integrated wind locks, top mounted solar shield, adjustable R-strut racking, reversible 19" or 23" EIA racking, Alumiflex construction and our unmatched 15-year warranty. Moreover, there is an extensive list of optional accessories including HVAC units, electrical panels, and cable entry solutions to name a few. No matter the application, DDB provides cutting-edge design, competitive pricing, benchmark lead times, and guaranteed delivery. Whether you require a custom enclosure or something from our substantial stock, our professional staff is here to help you today.



Features

- 15 Year Warranty
- 0.125" Aluminum Construction
- 3 Point Lock System
- Heavy Duty Out-Door Construction
- Front and Rear Access
- Stainless Steel External Hardware/Hinge
- Cream Powder-Coat, Standard
- Wind Locks
- Quick Shipping

Application Types

- Telecommunications
- Wireless/Broadband
- Fiber Optics
- Back Haul
- Public Safety
- DAS
- Utility
- Base Station
- Military
- Trailer-Based Communications
- Wi-Fi
- LTEE/4G/5G



Environmental & Safety Ratings:

- ✓ UL Type 4 (shown above)

Weight and Dimensions

Approximate Exterior Enclosure Dimensions:

32"H x 33"W x 47"D

Shipping Dimensions:

60"L x 45"W x 40"H- Palletized

Approximate Shipping Weight:

200 lbs.

2301 S. HWY 77 Pauls Valley, OK 73075

T: (405)-665-2876

sales@ddbunlimited.com www.ddbunlimited.com

WOD Series-UL Listed

WOD-30DDXC-UL50



Features

1. Alumishield
2. Wind Locks
3. 19" and 23" Adjustable Racking Rails
4. Stainless Steel Door Hinge
5. 3 Point Locking System
6. Heavy Duty 0.160" Doors
7. Powder-Coat Cream
8. Rear Door Access

2301 S. HWY 77 Pauls Valley, OK 73075

T: (405)-665-2876

sales@ddbunlimited.com www.ddbunlimited.com

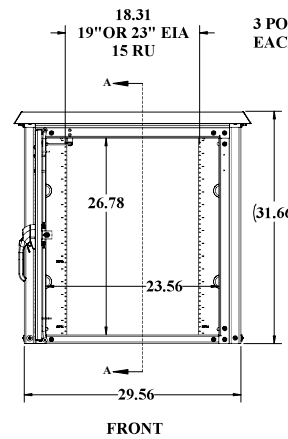
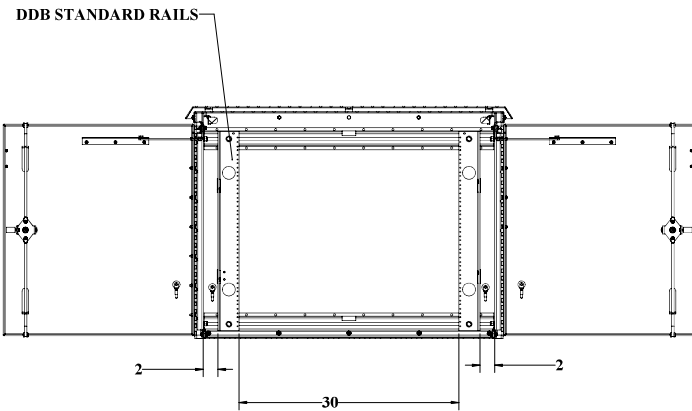
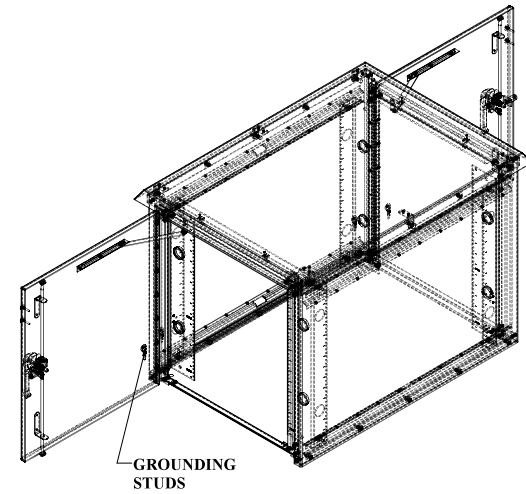
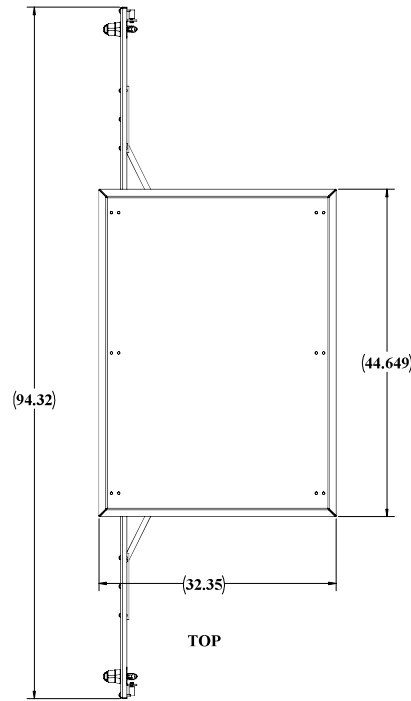
Scan this code for
Climate Control



Scan this code for
Accessories

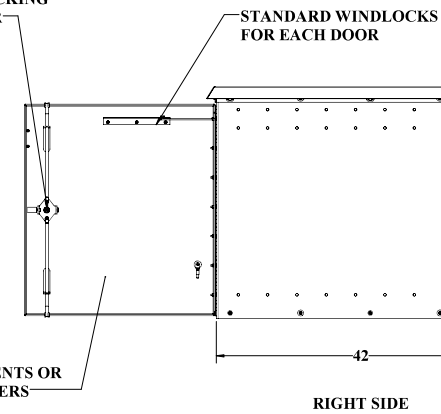


REVISIONS		
REV.	DESCRIPTION	DATE
A	CREATED DRAWING PER DR-02054	7/16/2019



3 POINT LOCKING
EACH DOOR

NO VENTS OR
LOUVERS



WELDED ENCLOSURE

UNLESS OTHERWISE SPECIFIED:			
DIMENSIONS ARE IN INCHES			
FINISH	W/	W/	W/
WELDING	W/	W/	W/
DRILLING	W/	W/	W/
THREADS	W/	W/	W/
ALL DIMENSIONS	W/	W/	W/
MATERIALS SPECIFIED BY ALTA BROWN			
PAINT: BROWN/BLACK, BLD/BLD/BLD/BLD/BLD/BLD			
DO NOT SCALE DRAWING			
DDB Unlimited Inc.		WOD-3000-4159E	
REV	Code Code:	DWG. NO.:	REV
D	28515	02054	A
SCALE: 1:12		WEIGHT: 144 lbs.	SHEET 1 OF 3

UNCLASSIFIED PUBLIC

