



An ISO 9001  
Certified company

# WOD Series-UL Listed

## WOD-30DXC-UL50

Made in America



Believing in American  
Craftsmanship



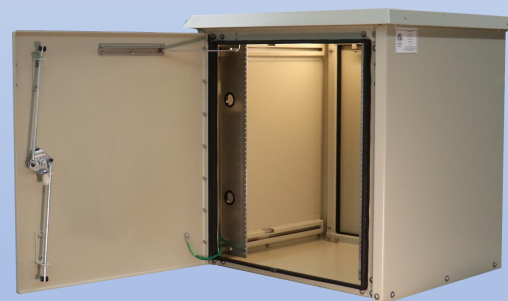
### Why Choose the WOD Series-UL Listed?

The WOD-30DXC-UL50 enclosure is the pinnacle of enclosures. With a fully welded chassis, heavy duty vulcanized gasketing and years of design and engineering behind it, you will find this will meet the most stringent requirements of the UL-50E Type 4 listing. Fully tested by a third party Nationally Recognized Testing Laboratory and listed to the UL-50E standard, you can trust that the WOD UL series will pass any test or inspection it faces. Designed with public safety requirements in mind, these units can be placed in mission critical locations where communication or sensitive gear needs to be protected regardless of the situation. As with the standard WOD series, the WOD-UL series comes with standard 3 point locking, front and rear access with integrated wind locks, top mounted solar shield, adjustable R-strut racking, reversible 19" or 23" EIA racking, Alumiflex construction and our unmatched 15-year warranty. Moreover, there is an extensive list of optional accessories including HVAC units, electrical panels, and cable entry solutions to name a few. No matter the application, DDB provides cutting-edge design, competitive pricing, benchmark lead times, and guaranteed delivery. Whether you require a custom enclosure or something from our substantial stock, our professional staff is here to help you today.



### Application Types

- Telecommunications
- Wireless/Broadband
- Fiber Optics
- Back Haul
- Public Safety
- DAS
- Utility
- Base Station
- Military
- Trailer-Based Communications
- Wi-Fi
- LTEE/4G/5G



### Environmental & Safety Ratings:

- ✓ UL Type 4 (shown above)

### Features

- 15 Year Warranty
- 0.125" Aluminum Construction
- 3 Point Lock System
- Heavy Duty Out-Door Construction
- Front and Rear Access
- Stainless Steel External Hardware/Hinge
- Cream Powder-Coat, Standard
- Wind Locks
- Quick Shipping

### Weight and Dimensions

Approximate Exterior Enclosure Dimensions:

32"H x 33"W x 30"D

Shipping Dimensions:

42"L x 32"W x 40"H- Palletized

Approximate Shipping Weight:

145 lbs.

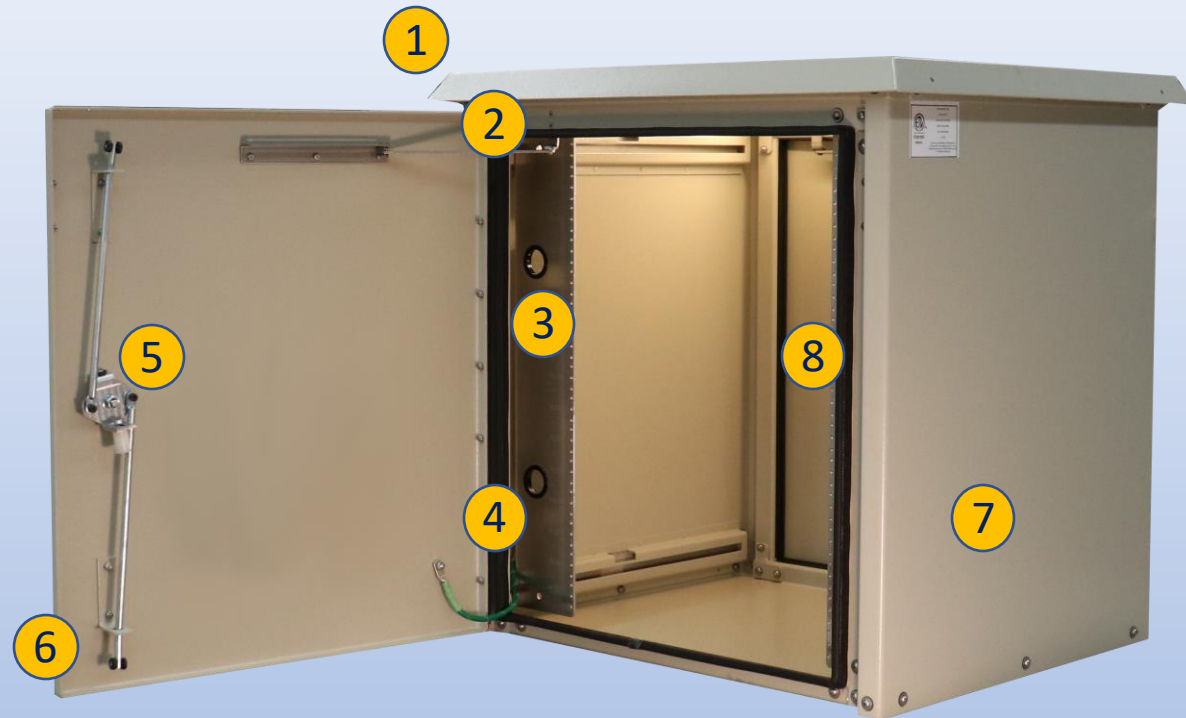
2301 S. HWY 77 Pauls Valley, OK 73075

T: (405)-665-2876

[sales@ddbunlimited.com](mailto:sales@ddbunlimited.com) [www.ddbunlimited.com](http://www.ddbunlimited.com)

# WOD Series-UL Listed

## WOD-30DXC-UL50



### Features

1. Alumishield
2. Wind Locks
3. 19" and 23" Adjustable Racking Rails
4. Stainless Steel Door Hinge
5. 3 Point Locking System
6. Heavy Duty 0.160" Doors
7. Powder-Coat Cream
8. Rear Door Access

2301 S. HWY 77 Pauls Valley, OK 73075

T: (405)-665-2876

[sales@ddbunlimited.com](mailto:sales@ddbunlimited.com) [www.ddbunlimited.com](http://www.ddbunlimited.com)

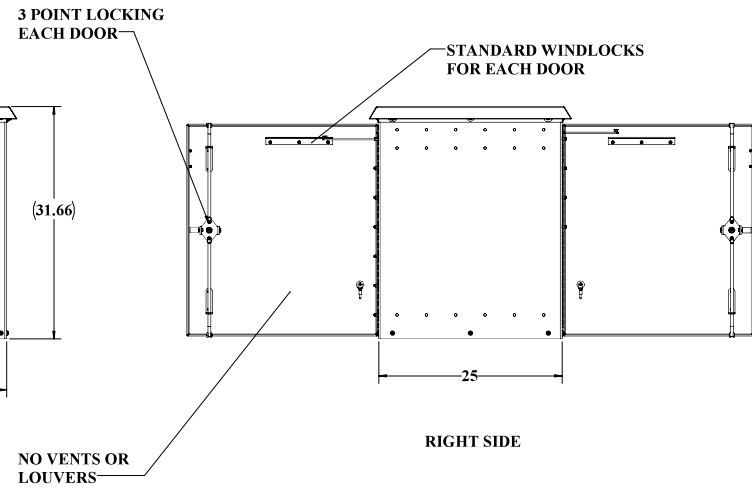
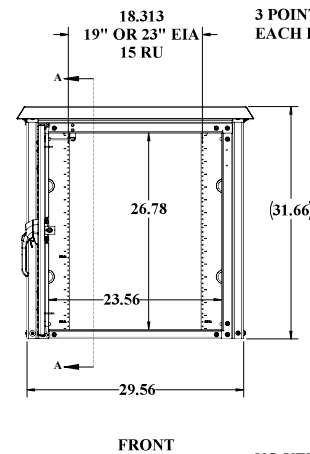
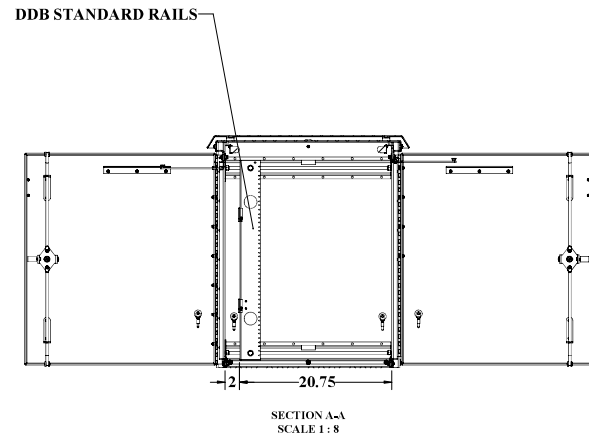
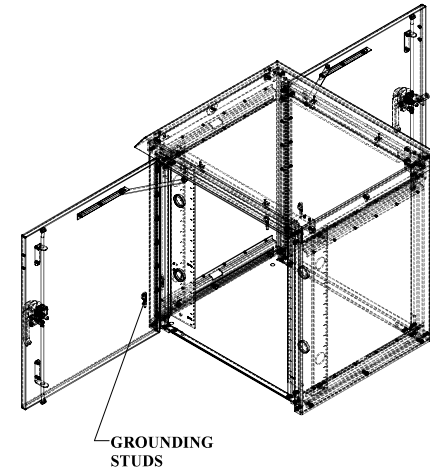
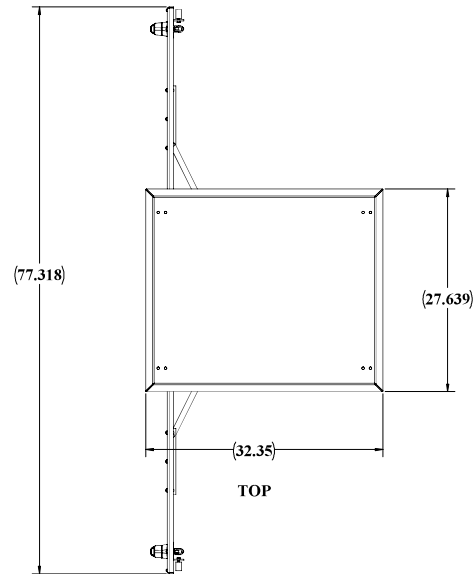
Scan this code for  
Climate Control



Scan this code for  
Accessories



REVISIONS		
REV.	DESCRIPTION	DATE
A	CREATED DRAWING PER DR-02052	7/16/2019

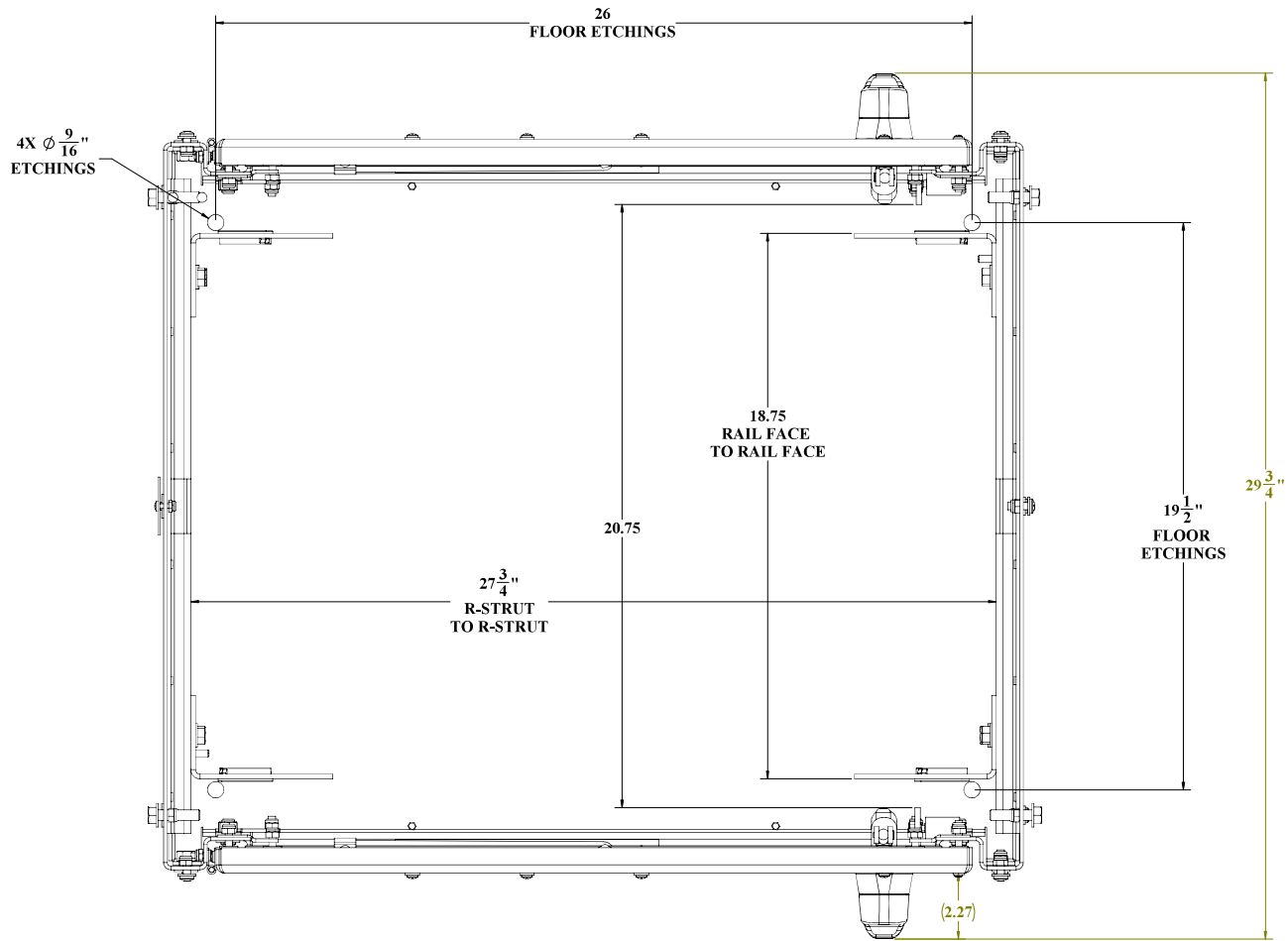


UNCLASSIFIED PUBLIC

UNLESS OTHERWISE SPECIFIED:		DDB Unlimited Inc.	
FINISH	W/OD	W/OD	
DRILLING	DRILLING	DRILLING	
THREADS	THREADS	THREADS	
ALL DIMENSIONS	ALL DIMENSIONS	ALL DIMENSIONS	
PARTS	PARTS	PARTS	
SCALE	SCALE	SCALE	

DDB FORM: 7.1.2 REV: A 08/02/17

WEB DRAWING (NOT FOR FABRICATION)



TOP VIEW  
NO CEILING OR ALUMASHIELD SHOWN

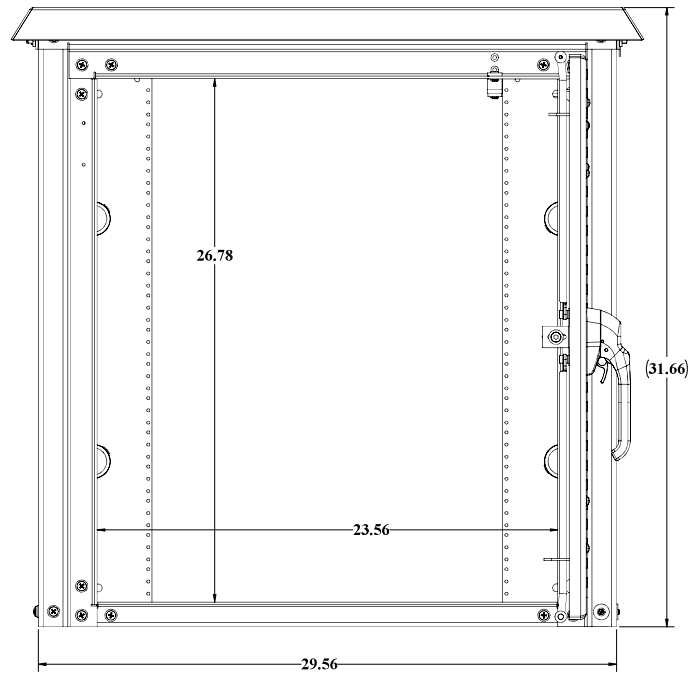
UNCLASSIFIED PUBLIC

WEB DRAWING (NOT FOR FABRICATION)

UNLESS OTHERWISE SPECIFIED:			
DIMENSIONS ARE IN INCHES	DDB <i>Unlimited Inc.</i>		
EXCEPT AS NOTED OTHERWISE	DW-41185-CLOSED		
FINISHES ARE AS SHOWN	WEB, CLOSED, IN-CL, SHIELD, U-SHE-CLOSED		
ALL DIMENSIONS TO FACE UNLESS NOTED OTHERWISE	REV	Code Code:	DWG. NO.:
PAYMENTS, DIMENSIONS, WEIGHTS, AND TOLERANCES TO FACE	D	28515	02052
	SCALE: 1:12   WEIGHT: 77 lbs.		REV
			A
			SHEET 2 OF 3

DDB FORM: 7.1.2 REV: A 08/02/17

WEB DRAWING (NOT FOR FABRICATION)



BACK VIEW  
GASKET NOT SHOWN

WEB DRAWING (NOT FOR FABRICATION)

UNLESS OTHERWISE SPECIFIED:			
DIMENSIONS ARE IN INCHES			
FINISH	WOOD-3004-GULSBE		
WEIGHT	W-010, W-011, D-1, L-50 W-010, M-DX-U, L-50E		
PROTECTIVE COATING	1000		
PROTECTIVE FINISH	1000		
PROTECTIVE MATERIAL	1000		
ALL DIMENSIONS	UNLESS OTHERWISE SPECIFIED		
MATERIAL SPECIFICATION	ALUMINUM		
PAINT FINISH	1000		
DO NOT SCALE DRAWING			
2	SCALE: 1:12	WEIGHT: 102 Lbs.	SHEET 2 OF 3

**DDB Unlimited Inc.**

REV:    Code Code:    DWG. NO.:    REV

D    28515    02052    A

UNCLASSIFIED PUBLIC

DDB FORM: 7.1.2 REV: A 08/02/17