



An ISO 9001
Certified company

WOD Series-UL Listed

WOD-50DDC-UL50

Made in America



Believing in American
Craftsmanship



Why Choose the WOD Series-UL Listed?

The WOD-50DDC-UL50 enclosure is the pinnacle of enclosures. With a fully welded chassis, heavy duty vulcanized gasketing and years of design and engineering behind it, you will find this will meet the most stringent requirements of the UL-50E Type 4 listing. Fully tested by a third party Nationally Recognized Testing Laboratory and listed to the UL-50E standard, you can trust that the WOD UL series will pass any test or inspection it faces. Designed with public safety requirements in mind, these units can be placed in mission critical locations where communication or sensitive gear needs to be protected regardless of the situation. As with the standard WOD series, the WOD-UL series comes with standard 3 point locking, front and rear access with integrated wind locks, top mounted solar shield, adjustable R-strut racking, reversible 19" or 23" EIA racking, Alumiflex construction and our unmatched 15-year warranty. Moreover, there is an extensive list of optional accessories including HVAC units, electrical panels, and cable entry solutions to name a few. No matter the application, DDB provides cutting-edge design, competitive pricing, benchmark lead times, and guaranteed delivery. Whether you require a custom enclosure or something from our substantial stock, our professional staff is here to help you today.



Features

- 15 Year Warranty
- 0.125" Aluminum Construction
- 3 Point Lock System
- Heavy Duty Out-Door Construction
- Front and Rear Access
- Stainless Steel External Hardware/Hinge
- Cream Powder-Coat, Standard
- Wind Lock
- Quick Shipping

Application Types

- Telecommunications
- Wireless/Broadband
- Fiber Optics
- Back Haul
- Public Safety
- DAS
- Utility
- Base Station
- Military
- Trailer-Based Communications
- Wi-Fi
- LTEE/4G/5G



Environmental & Safety Ratings:

- ✓ UL Type 4 (shown above)

Weight and Dimensions

Approximate Exterior Enclosure Dimensions:

51"H x 33"W x 39"D

Shipping Dimensions:

48"L x 42"W x 60"H- Palletized

Approximate Shipping Weight:

230 lbs.

2301 S. HWY 77 Pauls Valley, OK 73075

T: (405)-665-2876

sales@ddbunlimited.com www.ddbunlimited.com

WOD Series-UL Listed

WOD-50DDC-UL50



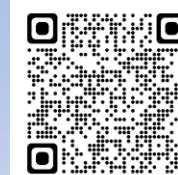
Features

1. Alumishield
2. Wind Locks
3. 19" and 23" Adjustable Racking Rails
4. 3 Point Locking System
5. Stainless Steel Door Hinge
6. Heavy Duty 0.160" Doors
7. Powder-Coat Cream
8. Rear Door Access

Scan this code for
Climate Control



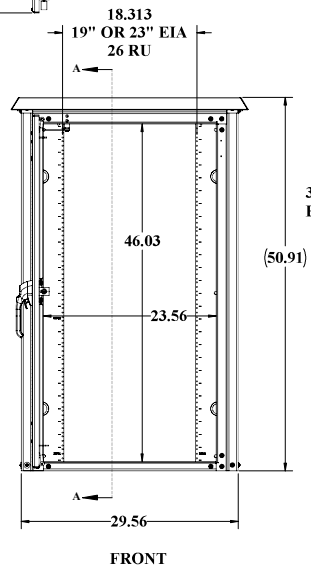
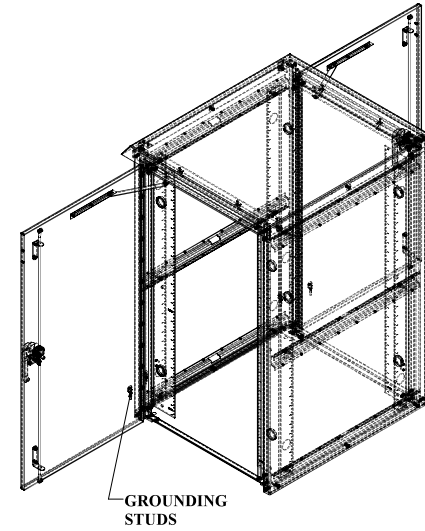
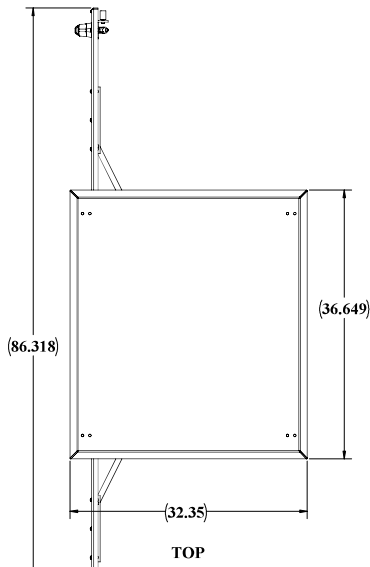
Scan this code for
Accessories



2301 S. HWY 77 Pauls Valley, OK 73075
T: (405)-665-2876

sales@ddbunlimited.com www.ddbunlimited.com

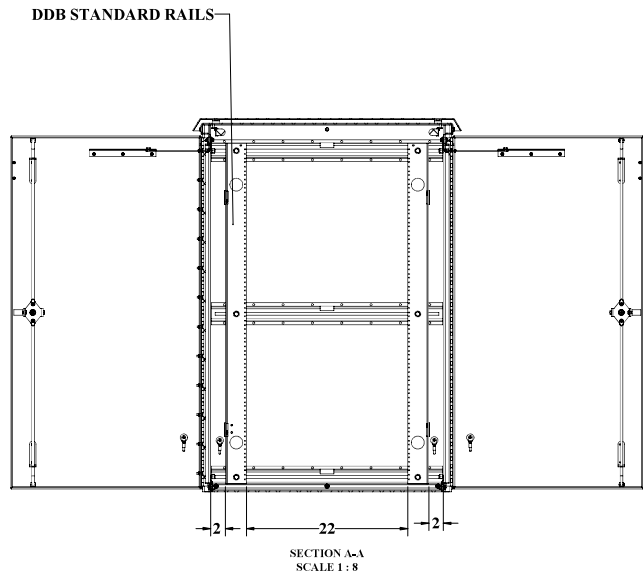
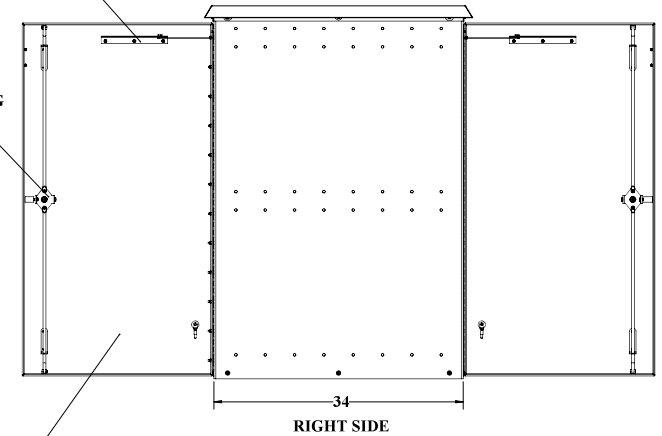
REVISIONS		
REV.	DESCRIPTION	DATE
A	CREATED DRAWING PER DR-02056	7/18/2019



STANDARD WINDLOCKS FOR EACH DOOR

3 POINT LOCKING EACH DOOR

NO VENTS OR LOUVERS



UNLESS OTHERWISE SPECIFIED:			
DIMENSIONS ARE IN INCHES			
FRONT PANEL	24" MIN		
DOOR PANEL	24" MIN		
TRIPLE GLAZING	24" MIN		
TRIPLE GLAZING	24" MIN		
TRIPLE GLAZING	24" MIN		
ALL DIMENSIONS SHOWN			
MATERIALS AND FINISHES TO BE AS SHOWN			
PAINT: PRIMER/PAINT: PRIMER/PAINT: PRIMER			
DO NOT SCALE DRAWING			
DDB Unlimited Inc.		W.C.D.500D.L15WE	
W.C.D.500D.L15WE		W.C.D.500D.L15WE	
REV	Code Code:	DWG. NO.:	REV
D	28515	02056	A
SCALE 1:12		WEIGHT 177 Lbs	
		SHEET 1 OF 3	

UNCLASSIFIED PUBLIC

DDB FORM: 7.1.2 REV: A (08/02/17)

WEB DRAWING (NOT FOR FABRICATION)

4X $\phi \frac{9}{16}$ "
ETCHINGS

$\phi 26$
FLOOR ETCHINGS

29.75

27.75
RAIL FACE
TO RAIL FACE

$\phi 28 \frac{1}{2}$ "
FLOOR
ETCHINGS

$38 \frac{3}{4}$ "

$27 \frac{3}{4}$ "
R-STRUT
TO R-STRUT

(2.27)

TOP VIEW
NO CEILING OR ALUMASHIELD SHOWN

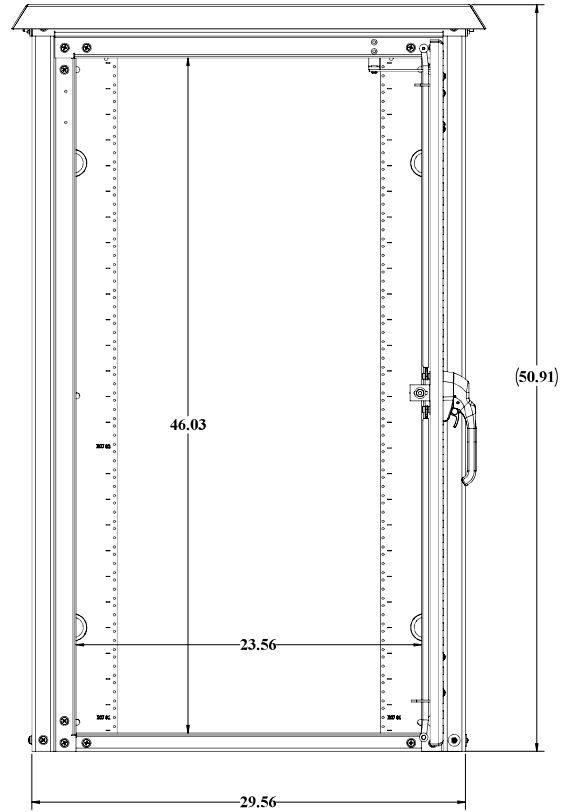
WEB DRAWING (NOT FOR FABRICATION)

UNLESS OTHERWISE SPECIFIED:		DDP Unlimited Inc.		
DIMENSIONS ARE IN INCHES		DD-U159-CLOSED		
DIMENSIONS UNLESS OTHERWISE SPECIFIED:		WOB: CLOSED, DD U1-59D&U1-59F-CLOSED		
SIZE	Code Code:	DWG. NO.:	REV	
D	28515	02056	A	
MATERIAL: ALUMINUM EXTRUSION		SCALE: 1:12 WEIGHT: 93 lbs. SHEET 2 OF 3		
PAINT: PRIMER/PAINT: RED OXIDANT/PRIMER/PAINT		DD NOT SCALE DRAWING		

UNCLASSIFIED PUBLIC

DDP FORM: 7.1.2 REV: AK 08/02/17

WEB DRAWING (NOT FOR FABRICATION)



BACK VIEW
GASKET NOT SHOWN

WEB DRAWING (NOT FOR FABRICATION)

UNLESS OTHERWISE SPECIFIED:			
DIMENSIONS ARE IN INCHES			
FINISH	W/	OD	
EXTERIOR SURFACE	W/	OD	
INTERIOR SURFACE	W/	OD	
DRILL HOLE	W/	OD	
ALL DIMENSIONS	W/	OD	
MATERIAL SPECIFIED BY ALTA DESIGN			
PAINT FINISHES AND COATINGS TO BE AS SPECIFIED			
DO NOT SCALE DRAWING			
DDB Unlimited Inc.		W/OD-SIDD-L15W-OD-SIDD-L15WE	
REV	Code Code:	DWG. NO.:	REV
D	28515	02056	A
SCALE: 1:12		WEIGHT: 177 lbs.	SHEET 2 OF 3

UNCLASSIFIED PUBLIC

DDB FORM: 7.1.2 REV: K 08/02/17