



An ISO 9001  
Certified company

# WOD Series-UL Listed

## WOD-50DDXC-UL50

Made in America



Believing in American  
Craftsmanship



### Why Choose the WOD Series-UL Listed?

The WOD-50DDXC-UL50 enclosure is the pinnacle of enclosures. With a fully welded chassis, heavy duty vulcanized gasketing and years of design and engineering behind it, you will find this will meet the most stringent requirements of the UL-50E Type 4 listing. Fully tested by a third party Nationally Recognized Testing Laboratory and listed to the UL-50E standard, you can trust that the WOD UL series will pass any test or inspection it faces. Designed with public safety requirements in mind, these units can be placed in mission critical locations where communication or sensitive gear needs to be protected regardless of the situation. As with the standard WOD series, the WOD-UL series comes with standard 3 point locking, front and rear access with integrated wind locks, top mounted solar shield, adjustable R-strut racking, reversible 19" or 23" EIA racking, Alumiflex construction and our unmatched 15-year warranty. Moreover, there is an extensive list of optional accessories including HVAC units, electrical panels, and cable entry solutions to name a few. No matter the application, DDB provides cutting-edge design, competitive pricing, benchmark lead times, and guaranteed delivery. Whether you require a custom enclosure or something from our substantial stock, our professional staff is here to help you today.



### Features

- 15 Year Warranty
- 0.125" Aluminum Construction
- 3 Point Lock System
- Heavy Duty Out-Door Construction
- Front and Rear Access
- Stainless Steel External Hardware/Hinge
- Cream Powder-Coat, Standard
- Wind Locks
- Quick Shipping

### Application Types

- Telecommunications
- Wireless/Broadband
- Fiber Optics
- Back Haul
- Public Safety
- DAS
- Utility
- Base Station
- Military
- Trailer-Based Communications
- Wi-Fi
- LTEE/4G/5G



### Environmental & Safety Ratings:

- ✓ UL Type 4 (shown above)

### Weight and Dimensions

Approximate Exterior Enclosure Dimensions:

51"H x 33"W x 47"D

Shipping Dimensions:

60"L x 45"W x 60"H- Palletized

Approximate Shipping Weight:

260 lbs.

2301 S. HWY 77 Pauls Valley, OK 73075

T: (405)-665-2876

[sales@ddbunlimited.com](mailto:sales@ddbunlimited.com) [www.ddbunlimited.com](http://www.ddbunlimited.com)

# WOD Series-UL Listed

## WOD-50DDXC-UL50



### Features

1. Alumishield
2. Wind Locks
3. 19" and 23" Adjustable Racking Rails
4. 3 Point Locking System
5. Stainless Steel Door Hinge
6. Heavy Duty 0.160" Doors
7. Powder-Coat Cream
8. Rear Door Access

Scan this code for  
Climate Control



Scan this code for  
Accessories

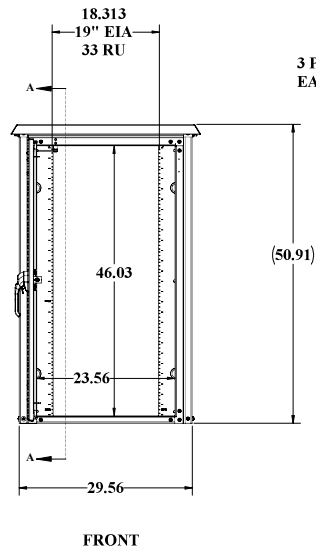
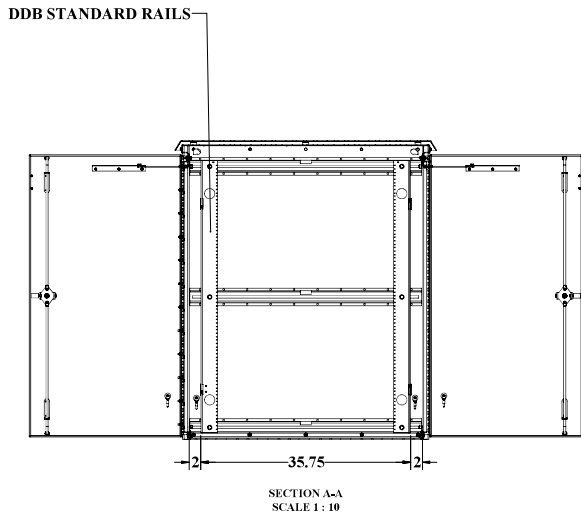
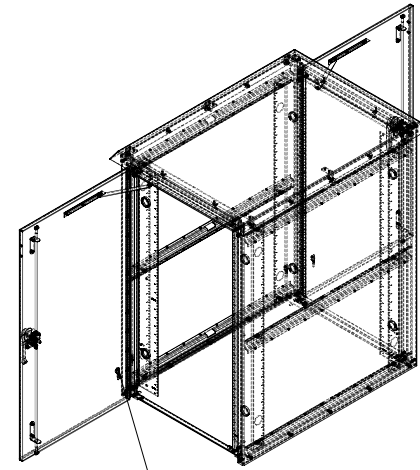
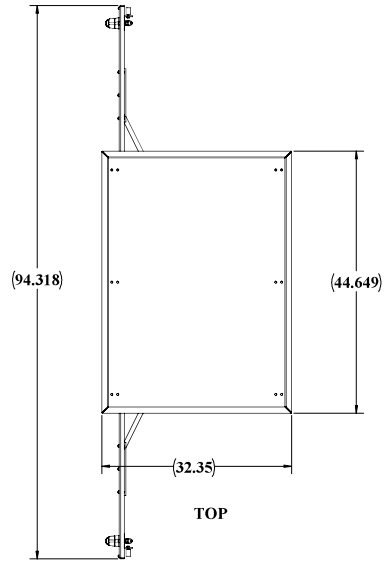


2301 S. HWY 77 Pauls Valley, OK 73075

T: (405)-665-2876

[sales@ddbunlimited.com](mailto:sales@ddbunlimited.com) [www.ddbunlimited.com](http://www.ddbunlimited.com)

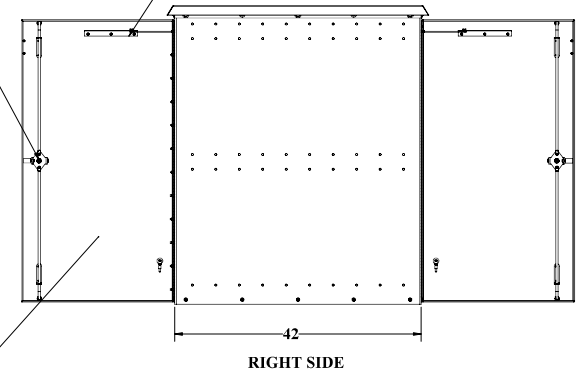
REVISIONS		
REV.	DESCRIPTION	DATE
A	CREATED DRAWING PER DR-02057	7/18/2019



3 POINT LOCKING  
EACH DOOR

STANDARD WINDLOCKS  
FOR EACH DOOR

NO VENTS OR  
LOUVERS

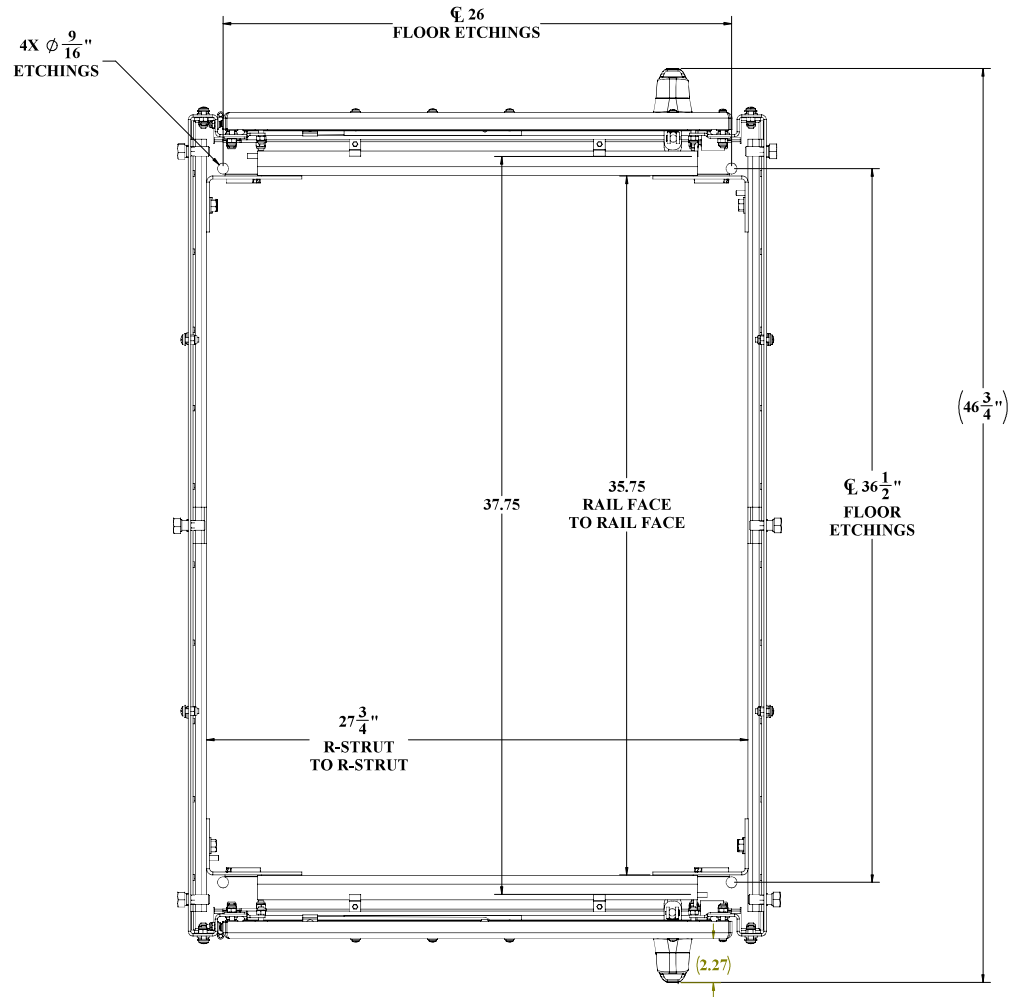


UNLESS OTHERWISE SPECIFIED:		DDB Unlimited Inc.	
DIMENSIONS ARE IN INCHES		W01B-5000-41LS0	
W01B-5000-41LS0	W01B-5000-41LS0	W01B-5000-41LS0	W01B-5000-41LS0
REV	Code Code:	DWG. NO.:	REV
D	28515	02057	A
MATERIALS SPECIFIED BY ALTA BROWN		SCALE 1:12   WEIGHT 199 lbs	
PAINT: BROWN/BLACK - BUDGET/STANDARD		SHEET 1 OF 3	
DO NOT SCALE DRAWING			

UNCLASSIFIED PUBLIC

DDB FORM: 7.1.2 REV: A 08/02/17

WEB DRAWING (NOT FOR FABRICATION)



TOP VIEW  
NO CEILING OR ALUMASHIELD SHOWN

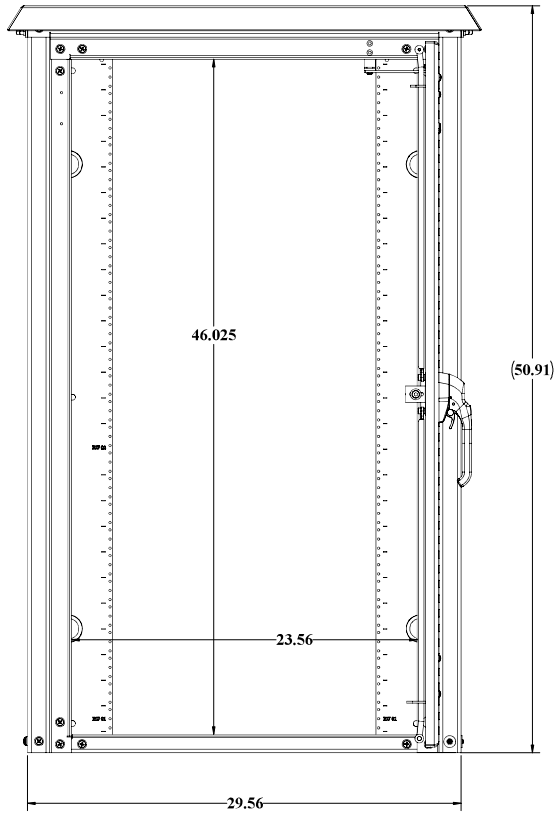
WEB DRAWING (NOT FOR FABRICATION)

UNLESS OTHERWISE SPECIFIED:			
DIMENSIONS ARE IN INCHES			
FINISH	NO. OF COATS	FINISH	FINISH
INTERIOR SURFACES	2	EXTERIOR SURFACES	2
DRY WALL SURFACES	1	CEILING SURFACES	1
FLOOR SURFACES	1	BASE SURFACES	1
ALL OTHER SURFACES	1		
MATERIAL SPECIFIED BY ALUMINUM			
PAINT SPECIFIED BY ALUMINUM			
DO NOT SCALE DRAWING			
DDB Unlimited Inc.		REV	
W/OB. CLOSED, H/DX. L1, H/DOS. L1, S/E. CLOSED			
REV	Code Code:	DWG. NO.:	REV
D	28515	02057	A
SCALE 1:12		WEIGHT 109 Lbs.	SHEET 2 OF 3

UNCLASSIFIED PUBLIC

DDB FORM: 7.1.2 REV: AK 08/02/17

WEB DRAWING (NOT FOR FABRICATION)



BACK VIEW  
GASKET NOT SHOWN

UNCLASSIFIED PUBLIC

WEB DRAWING (NOT FOR FABRICATION)

UNLESS OTHERWISE SPECIFIED:		DDB Unlimited Inc.		
DIMENSIONS ARE IN INCHES		WOD-5000-4JLS0		
FINISH	1" 1/8"	WOD-507H MDX-LLSMVOB-SHDDX-LLS0		
DRILLING	1/8"	REV	Code Code:	DWG. NO.:
DRILLING	1/8"	D	28515	02057
DRILLING	1/8"	A		
MATERIAL: ALUMINUM EXTRUSION		SCALE	1:12	WEIGHT 199 lbs.
PAINT: BROWN POLYESTER POWDER COATED		SHEET 2 OF 3		

DO NOT SCALE DRAWING