

Why Choose the WOD Series?

The WOD series of enclosures are the ultimate choice for your outdoor racking requirements. Being made of our own rugged Alumiflex®, you'll find it noticeably lighter than steel, yet strong enough to rack even the heaviest equipment. When choosing the WOD series, you have handpicked the highest value in American construction. The WOD-62DDXC includes the standard features you have come to expect with DDB, incorporating the versatile strut system for adjustable racking, the security of a 3-point locking system and our patented Alumishield® solar cap to manage heat loads. For those who need more than just our standard enclosure, DDB can also make a truly customized solution with our many available options including HVAC, providing a climate-controlled environment for any electronic equipment, electrical load panels and cable entry solutions to name a few. All of this comes together to create an enclosure able to meet all of the unique needs your customers have been seeking. DDB offers a state-of-the-art design, a competitive price, benchmark lead times and a guaranteed delivery, all backed up with an industry leading 15-year warranty on every enclosure. Put DDB's substantial stock to work for you today. Contact our professional staff to assist you with your made-to-order solution.



Features

- 15 Year Warranty
- 0.125" Aluminum Construction
- 3 Point Lock System
- Heavy Duty Out-Door Construction
- Front and Rear Access
- Standard Lifting Hooks
- Stainless Steel External Hardware/Hinge
- Cream Powder-Coat, Standard
- Quick Shipping

Application Types

- Telecommunications
- Wireless/Broadband
- Fiber Optics
- Back Haul
- Base Station
- Small Cell/ DAS
- Utility
- Military
- Trailer-Based Communications
- Wi-Fi
- Flexible and Scalable



Environmental & Safety Ratings:

- ✓ NEMA 3R, 4 or 4X
- ✓ ETL Certified to UL standard 60950-1/CSA 22.2C

Weight and Dimensions

- Approximate Exterior Enclosure Dimensions:
- 64"H x 33"W x 47"D
- Shipping Dimensions:
- 72"H x 45"W x 60"D- Palletized
- Approximate Shipping Weight:
- 275lbs.

WOD Series

WOD-62DDXC



Features

1. Alumishield
2. Wind Locks
3. 19" and 23" Adjustable Racking Rails
4. 3 Point Locking System
5. Stainless Steel Door Hinge
6. Reusable Filters
7. Heavy Duty 0.160" Doors
8. Powder-Coat Cream
9. Rear Door Access

Scan this code for
Climate Control



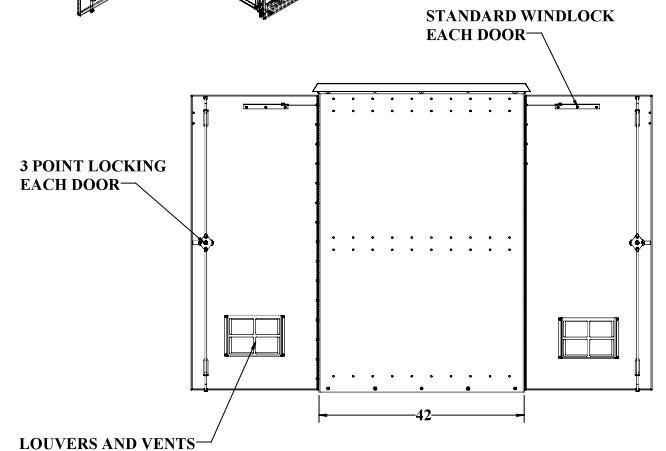
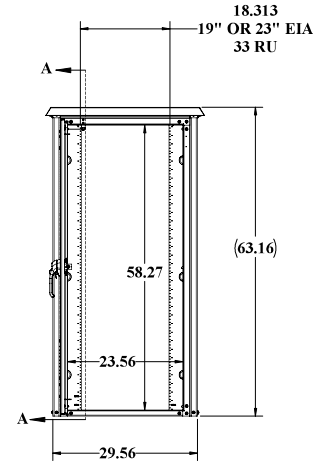
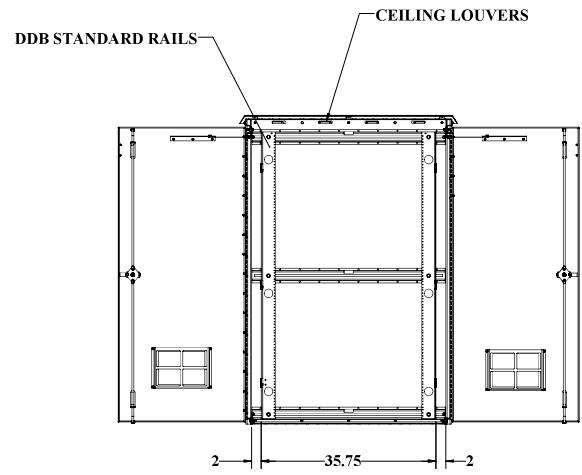
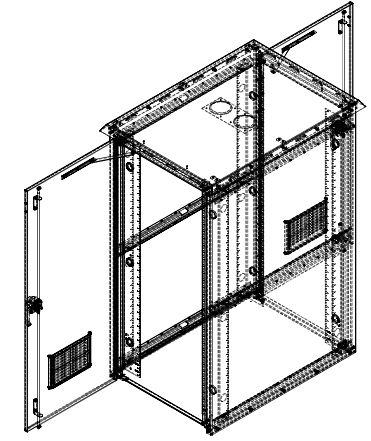
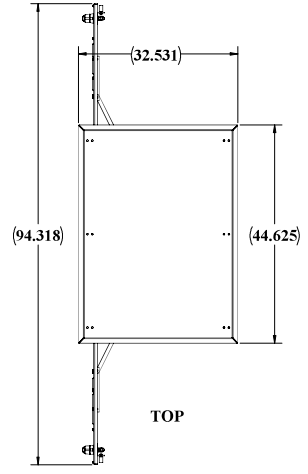
Scan this code for
Accessories



2301 S. HWY 77 Pauls Valley, OK 73075
T: (405)-665-2876

sales@ddbunlimited.com www.ddbunlimited.com

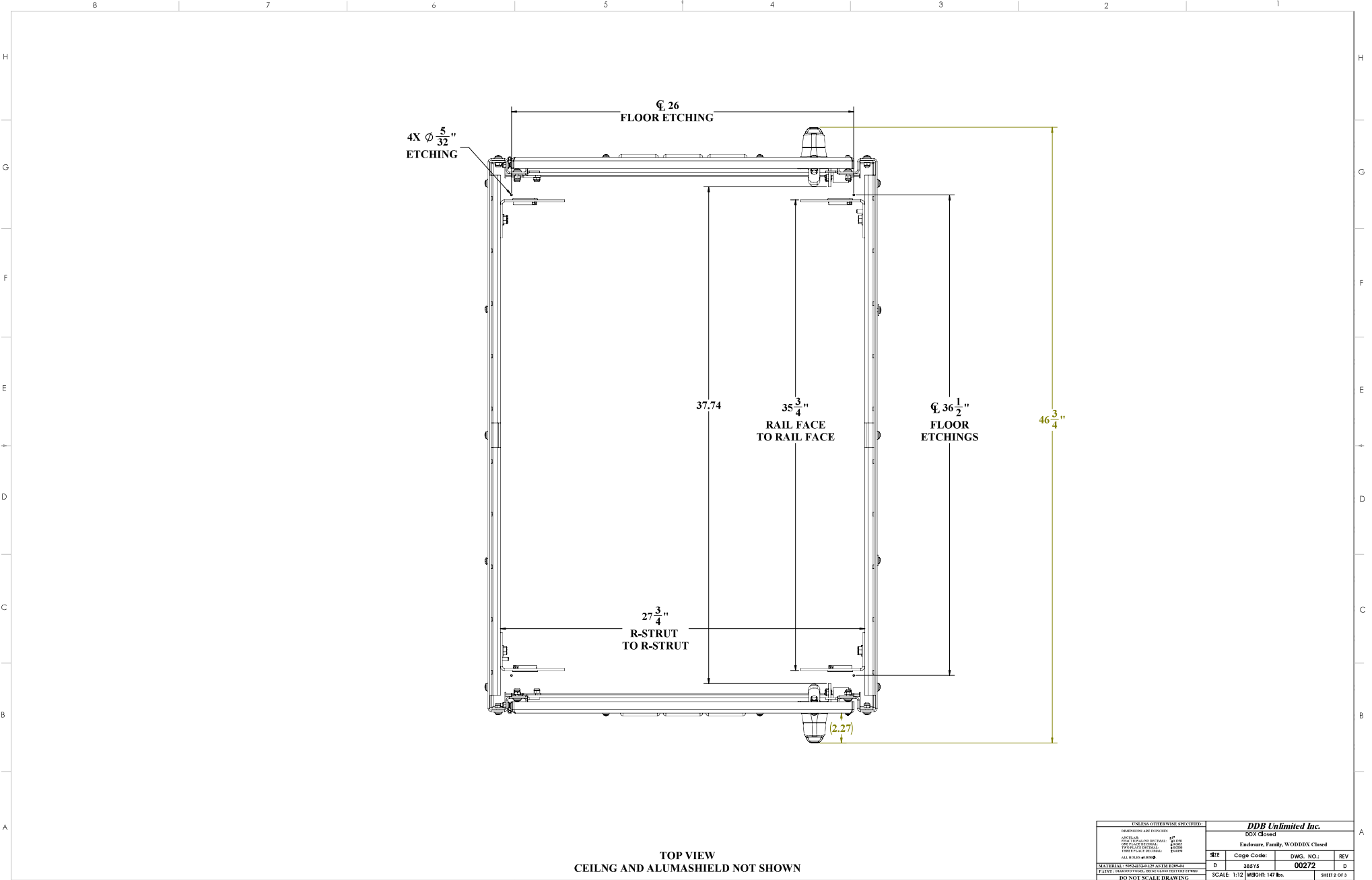
REVISIONS		
REV.	DESCRIPTION	DATE
A	Initial Web Drawing per DR-00134	6/10/2013
B	revise to incorporate new components and new drawing template pdr DR-00932	5/15/2014
C	UPDATED TO 2019 FORMAT	5/2/2019
D	UPDATED DRAWING WITH DOOR RODS WITH ROLLERS PER DR-02276	6/15/2020



UNLESS OTHERWISE SPECIFIED:			
DIMENSIONS ARE IN INCHES			
FINISH	1\"/>		
DRY WALL	1/2\"/>		
CEILING	5\"/>		
FLOOR	4\"/>		
CONCRETE	4\"/>		
STEEL	AS SHOWN		
GLASS	AS SHOWN		
PAINT	AS SHOWN		
DDB UNLIMITED INC.			
WOD-42DDX			
REV	Code Code:	DWG. NO.:	REV
D	28515	00272	D
SCALE: 1-1/2		WEIGHT: 234 Lbs.	SHEET 1 OF 3

UNCLASSIFIED PUBLIC

DDB FORM: 7.1.2 REV: A 08/02/17



4X $\varnothing \frac{5}{32}$ "
ETCHING

26
FLOOR ETCHING

37.74

$35 \frac{3}{4}$ "
RAIL FACE
TO RAIL FACE

$36 \frac{1}{2}$ "
FLOOR
ETCHINGS

$46 \frac{3}{4}$ "

$27 \frac{3}{4}$ "
R-STRUT
TO R-STRUT

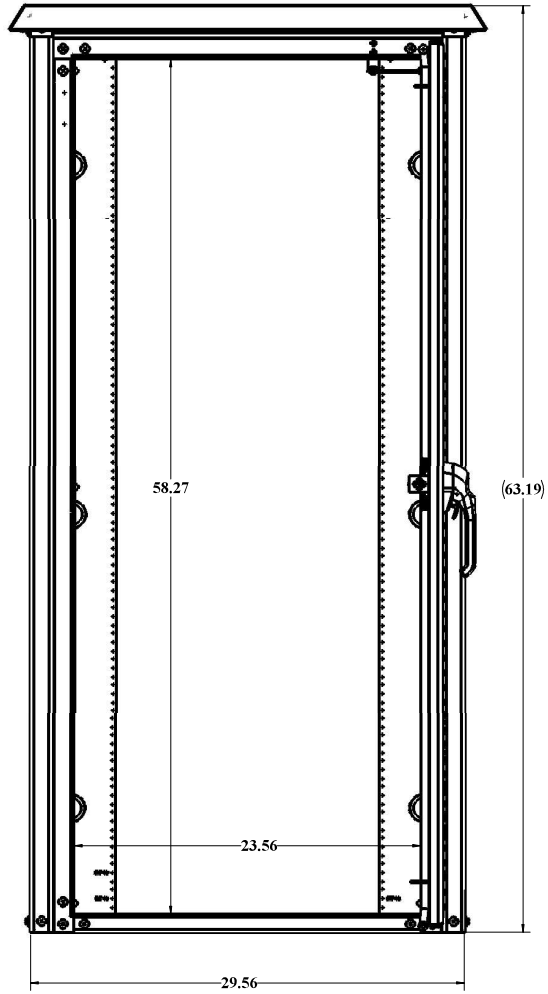
(2.27)

TOP VIEW
CEILING AND ALUMASHIELD NOT SHOWN

UNLESS OTHERWISE SPECIFIED:		DDB Unlimited Inc.	
DIMENSIONS ARE IN INCHES		DDB Closed	
FRACTIONS: NO DECIMALS		Enclosure Family, W ODDIX Closed	
DIAPHRAGM: 1/8"	1/8"	SER	Code Code: DWG. NO.: REV
TRAP DOOR: 1/4"	1/4"	D	38515 00272 D
RAIL FACE: 1/8"	1/8"	SCALE: 1:12 WEIGHT: 147 lbs SHEET 2 OF 3	
MATERIAL: GALVALUM 16 GA ALUM. STRUT			
PAINT: PHOSPHORIC ANTI-CORROSION			
DO NOT SCALE DRAWING			

UNCLASSIFIED PUBLIC

DDB FORM: 7.1.2 REV: A 08/02/17



BACK VIEW
GASKET NOT SHOWN

UNCLASSIFIED PUBLIC

UNLESS OTHERWISE SPECIFIED:			
DIMENSIONS ARE IN INCHES			
FINISH	AS SHOWN	1"	25.4
WEIGHT	AS SHOWN	100	2500
TEMPERATURE	AS SHOWN	70	21
MOISTURE	AS SHOWN	50	1273
ALL OTHERS	AS SHOWN		
MATERIAL SPECIFIED BY ALTA BROWN			
PAINT DIMENSIONS AND WEIGHTS ARE APPROXIMATE			
DO NOT SCALE DRAWING			
2	SCALE: 1:12	WEIGHT: 234 lbs	SHEET 2 OF 3

DDB Unlimited Inc.

W0D-42DDX

W0D, 42FH, DDXW0L42DDX

REV	Code Code:	DWG. NO.:	REV
D	28515	00272	D

DDB FORM: 7.1.2-REV.AK 08/02/17