

# WOD Series

## WOD-16DDC



## Why Choose the WOD Series?

The WOD series of enclosures are the ultimate choice for your outdoor racking requirements. Being made of our own rugged Alumiflex®, you'll find it noticeably lighter than steel, yet strong enough to rack even the heaviest equipment. When choosing the WOD series, you have handpicked the highest value in American construction. The WOD-16DDC includes the standard features you have come to expect with DDB, incorporating the versatile strut system for adjustable racking, the security of a 3-point locking system and our patented Alumishield® solar cap to manage heat loads. For those who need more than just our standard enclosure, DDB can also make a truly customized solution with our many available options including HVAC, providing a climate-controlled environment for any electronic equipment, electrical load panels and cable entry solutions to name a few. All of this comes together to create an enclosure able to meet all of the unique needs your customers have been seeking. DDB offers a state-of-the-art design, a competitive price, benchmark lead times and a guaranteed delivery, all backed up with an industry leading 15-year warranty on every enclosure. Put DDB's substantial stock to work for you today. Contact our professional staff to assist you with your made-to-order solution.



## Application Types

- Telecommunications
- Wireless/Broadband
- Fiber Optics
- Back Haul
- Base Station
- Small Cell/DAS
- Utility
- Military
- Trailer-Based Communications
- Wi-Fi
- Flexible and Scalable



## Environmental & Safety Ratings:

- ✓ NEMA 3R, 4 or 4X
- ✓ ETL Certified to UL standard 60950-1/CSA 22.2C

## Features

- 15 Year Warranty
- 0.125" Aluminum Construction
- 3 Point Lock System
- Heavy Duty Out-Door Construction
- Front and Rear Access
- Standard Lifting Hooks
- Stainless Steel External Hardware/Hinge
- Cream Powder-Coat, Standard
- Quick Shipping

## Weight and Dimensions

Approximate Exterior Enclosure Dimensions:

18"H x 33"W x 39D

Shipping Dimensions:

26"H x 40"W x 42"D- Palletized

Approximate Shipping Weight:

130 lbs.

2301 S. HWY 77 Pauls Valley, OK 73075

T: (405)-665-2876

[sales@ddbunlimited.com](mailto:sales@ddbunlimited.com) [www.ddbunlimited.com](http://www.ddbunlimited.com)

# WOD Series

## WOD-16DDC



### Features

1. Alumishield
2. Wind Locks
3. 19" and 23" Adjustable Racking Rails
4. Stainless Steel Door Hinge
5. Reusable Vent Filters
6. 3 Point Locking System
7. Heavy Duty 0.160" Doors
8. Powder-Coat Cream
9. Rear Door Access

Scan this code for  
Climate Control



Scan this code for  
Accessories

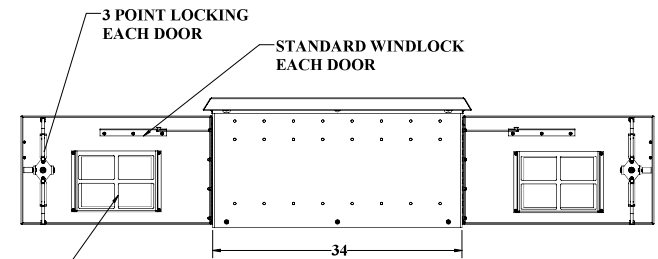
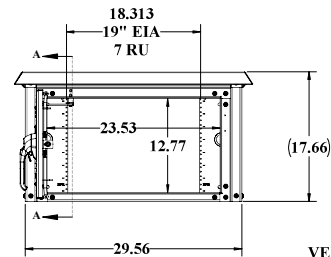
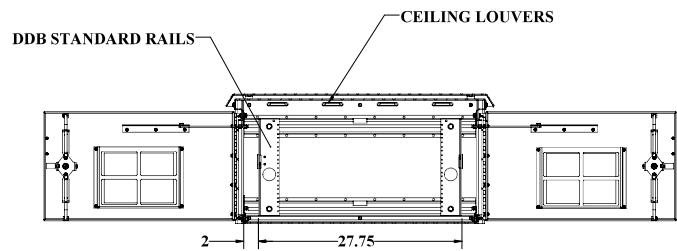
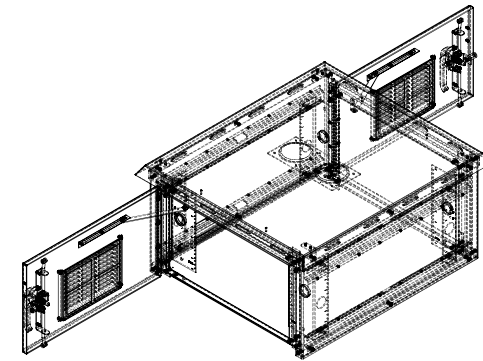
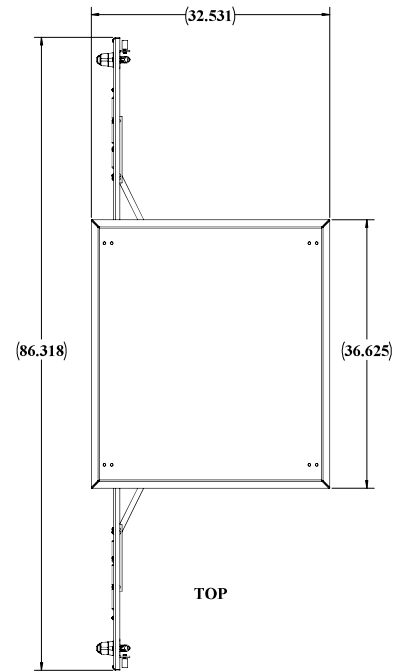


2301 S. HWY 77 Pauls Valley, OK 73075

T: (405)-665-2876

[sales@ddbunlimited.com](mailto:sales@ddbunlimited.com) [www.ddbunlimited.com](http://www.ddbunlimited.com)

REVISIONS		
REV.	DESCRIPTION	DATE
A	Initial Web Drawing per DR-00134	6/10/2013
B	Revise to incorporate new components and new drawing template pdr DR-00905	5/13/2014
C	UPDATED DRAWING PER DR-01938	4/10/2019
D	UPDATED DRAWING WITH DOOR RODS WITH ROLLERS PER DR-02266	4/21/2020



UNLESS OTHERWISE SPECIFIED:			
DIMENSIONS ARE IN INCHES	WCD-14DD		
WELDING AND SPECIALS	WCD-14DD		
FINISHES AND SPECIALS	WCD-14DD		
PAINTS AND SPECIALS	WCD-14DD		
ALL DIMENSIONS	WCD-14DD		
MATERIALS SPECIFIED BY OTHER DRAWING	WCD-14DD		
PAINTS, FINISHES AND SPECIALS	WCD-14DD		
DDB Unlimited Inc.		REV	
SHEET	Code Code:	DWG. NO.:	REV
D	28515	00264	D
SCALE: 1:8		WEIGHT 99 lbs.	SHEET 1 OF 3

UNCLASSIFIED PUBLIC



