



Why Choose the SBS Series?

The SBS-24168C outdoor enclosure is a top choice for indoor and outdoor needs. Constructed with our Alumiflex® material, it is notably lighter than steel yet strong enough to easily support the heaviest equipment. The SBS series has an updated design, including a deeper compartment for more equipment space and improved door compression to keep the weather out. The SBS series can be used as an electrical panel, battery storage, communication cabinet, and more. Standard features include an aluminum removable back-plate, 1/4 turn-key locks, and rugged aluminum construction. Configurable for indoor or outdoor applications the available accessories add the ability to customize to your specific application with various mounting bracket types, including climate controls, venting options, and electrical/cable entry solutions. Every SBS enclosure includes DDB's unmatched warranty, the industry's best lead times, and competitive pricing. As expected, the DDB SBS series sets the mark as a design leader that is versatile and scalable to meet a wide array of situations. Contact our knowledgeable sales team for more information.



Features

15 Year Warranty

.125" Aluminum Construction

Stainless Steel External Hardware/Hinge

Aluminum Removable Back-Plate

Cream Powder Coat, Standard

1/4 Turn-Key Locks

Flexible and Scalable

Quick Shipping

Weight and Dimensions

Approximate Exterior Enclosure

Dimensions:

24"H x 19"W x 8"D

Shipping Dimensions:

24"L x 36"W x 12"H- Boxed

Approximate Shipping Weight:

30lbs.

Application Types

Telecommunications

Wireless/Broadband

Fiber Optics

Small Cell/DAS

Public Safety

Utility

Military

Trailer-Based Communications

Wi-Fi

Video/Monitoring

Oil/Gas

Control Panels



Environmental & Safety Ratings:

✓ NEMA 4 (shown)

✓ 4X Available (not shown)

2301 S. HWY 77 Pauls Valley, OK 73075

T: (405)-665-2876

sales@ddbunlimited.com www.ddbunlimited.com

SBS Series

SBS-24168C



Features

1. Powder-Coat Cream
2. 0.125" Aluminum Construction
3. ¼ Turn-Key Locks
4. Continuous Hinge
5. Removable Aluminum Backplate;
Optional Plywood Backplate

Scan this code for
Accessories

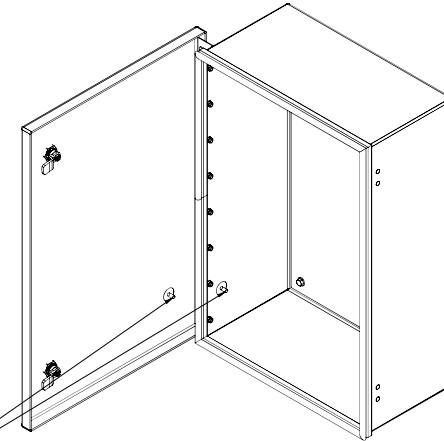
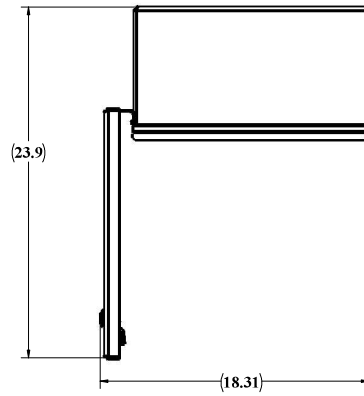


2301 S. HWY 77 Pauls Valley, OK 73075

T: (405)-665-2876

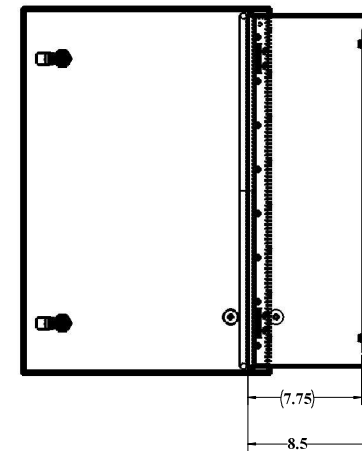
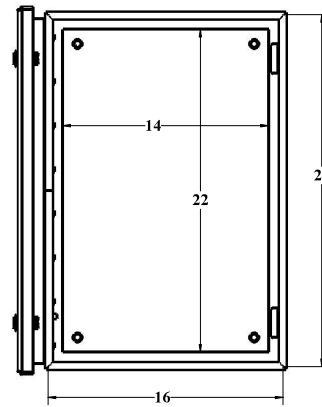
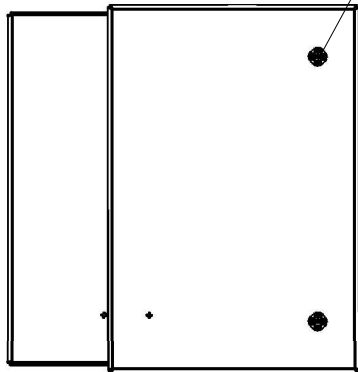
sales@ddbunlimited.com www.ddbunlimited.com

REVISIONS		
REV.	DESCRIPTION	DATE
A	SBS WEB DRAWING CREATED PER DR-02303	5/8/2020
F	DRAWING WAS NEVER UPDATED TO REV B,C,D OR E. UPDATED TO REV F TO MATCH THE PRODUCTION ASSEMBLY	5/9/2022



GROUNDING STUDS

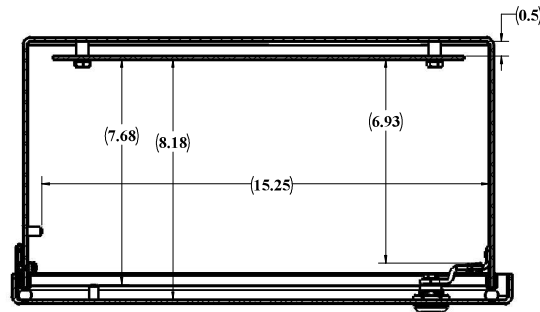
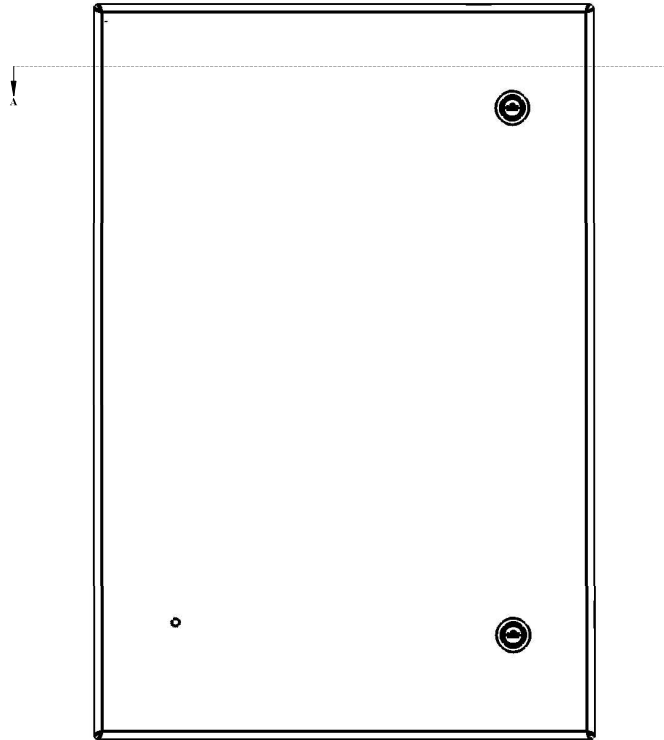
QUARTER TURN LOCKING



UNLESS OTHERWISE SPECIFIED:			
DIMENSIONS ARE IN INCHES			
FINISH	AS SHOWN	1"	AS SHOWN
DRILLING	AS SHOWN	1/8"	AS SHOWN
TOLERANCES	AS SHOWN	±.005	AS SHOWN
THREADS	AS SHOWN	AS SHOWN	AS SHOWN
ALL DIMENSIONS	UNLESS OTHERWISE SPECIFIED	±.005	AS SHOWN
MATERIALS	AS SHOWN	AS SHOWN	AS SHOWN
PAINT	AS SHOWN	AS SHOWN	AS SHOWN
IS NOT A SCALE DRAWING			
DDB Unlimited Inc.		SBS-24168	
SBS-24168 (Non UL/SBS-24168)		SBS-24168	
REV	Code Code:	DWG. NO.:	REV
D	28515	02303	F
SCALE: 1:8		WEIGHT 22.02 lbs.	SHEET 1 OF 2

UNCLASSIFIED PUBLIC

WEB DRAWING (NOT FOR FABRICATION)



SECTION A-A
SCALE 1:2

WEB DRAWING (NOT FOR FABRICATION)

UNLESS OTHERWISE SPECIFIED:			
DIMENSIONS ARE GIVEN IN:		INCHES	
DECIMALS	NO. OF DECIMALS	1/16"	16
FRACTIONS	NO. OF FRACTIONS	1/32"	32
THICKNESS	NO. OF THICKNESSES	1/16"	16
FINISH	NO. OF FINISHES	1/16"	16
ALL DIMENSIONS ARE TO CENTER UNLESS OTHERWISE SPECIFIED			
MATERIAL SPECIFIED BY ASTM SYMBOL			
PAINT: FORMING AND FINISHING			
DO NOT SCALE DRAWING			
DDB Unlimited Inc.		585-24168 (Rev. 1/1)	
REV	Code Code:	DWG. NO.:	REV
D	28515	02303	#
SCALE: 1:8		WEIGHT 22.02 lbs.	SHEET 2 OF 2

UNCLASSIFIED PUBLIC