

SBS Series

SBS-453010C

Why Choose the SBS Series?

The SBS-453010C outdoor enclosure is a top choice for indoor and outdoor needs. Constructed with our Alumiflex® material, it is notably lighter than steel yet strong enough to easily support the heaviest equipment. The SBS series has an updated design, including a deeper compartment for more equipment space and improved door compression to keep the weather out. The SBS series can be used as an electrical panel, battery storage, communication cabinet, and more. Standard features include an aluminum removable back-plate, 1/4 turn-key locks, and rugged aluminum construction. Configurable for indoor or outdoor applications the available accessories add the ability to customize to your specific application with various mounting bracket types, including climate controls, venting options, and electrical/cable entry solutions. Every SBS enclosure includes DDB's unmatched warranty, the industry's best lead times, and competitive pricing. As expected, the DDB SBS series sets the mark as a design leader that is versatile and scalable to meet a wide array of situations. Contact our knowledgeable sales team for more information.



Application Types

- Telecommunications
- Wireless/Broadband
 - Fiber Optics
 - Small Cell/DAS
- Public Safety
- Utility
- Military
- Trailer-Based Communications
 - Wi-Fi
- Video/Monitoring
- Oil/Gas
- Control Panels



Environmental & Safety Ratings:

- ✓ NEMA 4 (shown)
- ✓ 4X Available (not shown)

2301 S. HWY 77 Pauls Valley, OK 73075
T: (405)-665-2876

sales@ddbunlimited.com www.ddbunlimited.com

Features

- 15 Year Warranty
- .125" Aluminum Construction
- Stainless Steel External Hardware/Hinge
- Aluminum Removable Back-Plate
- Cream Powder Coat, Standard
- 1/4 Turn-Key Locks
- Flexible and Scalable
- Quick Shipping

Weight and Dimensions

- Approximate Exterior Enclosure Dimensions:
 - 45"H x 33"W x 10"D
- Shipping Dimensions:
 - 42"L x 52"W x 20"H
- Approximate Shipping Weight:
 - 110lbs.

SBS Series

SBS-453010C

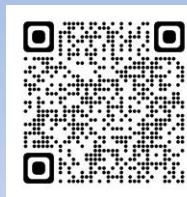


Features

1. Powder-Coat Cream
2. 0.125" Aluminum Construction
3. ¼ Turn-Key Locks
4. Continuous Hinge
5. Removable Aluminum Backplate;
Optional Plywood Backplate

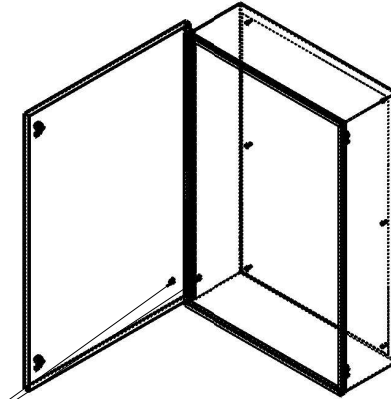
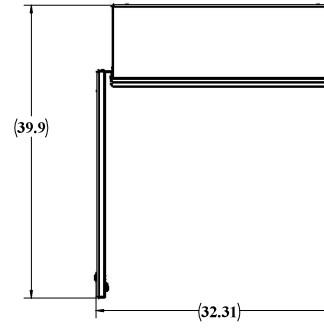
2301 S. HWY 77 Pauls Valley, OK 73075

T: (405)-665-2876

sales@ddbunlimited.com www.ddbunlimited.comScan this code for
Accessories

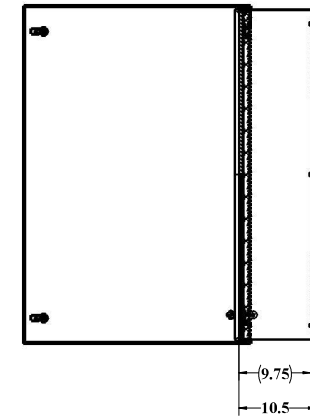
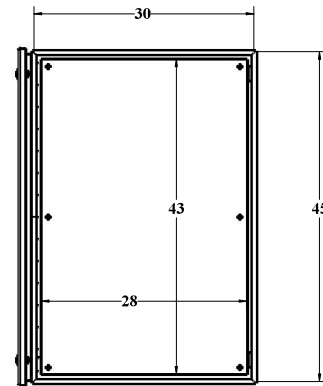
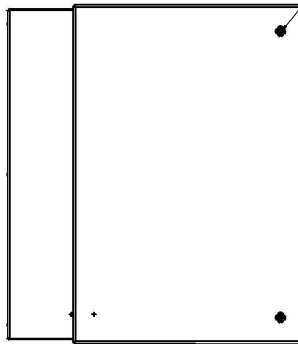
WEB DRAWING (NOT FOR FABRICATION)

REVISIONS		
REV.	DESCRIPTION	DATE
A	SBS WEB DRAWING CREATED PER DR-02309	5/8/2020
F	UPDATED TO REV. F. DRWAINGS WERE NEVER UPDATED TO REV. B, C, D, & E. NO DRAWING REQUESTS WERE EVER ISSUED.	5/10/2022



GROUNDING STUDS

QUARTER TURN LOCKING

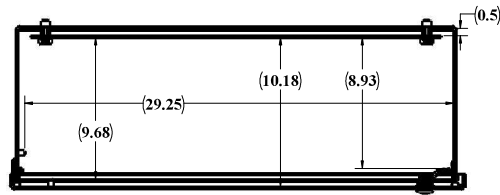
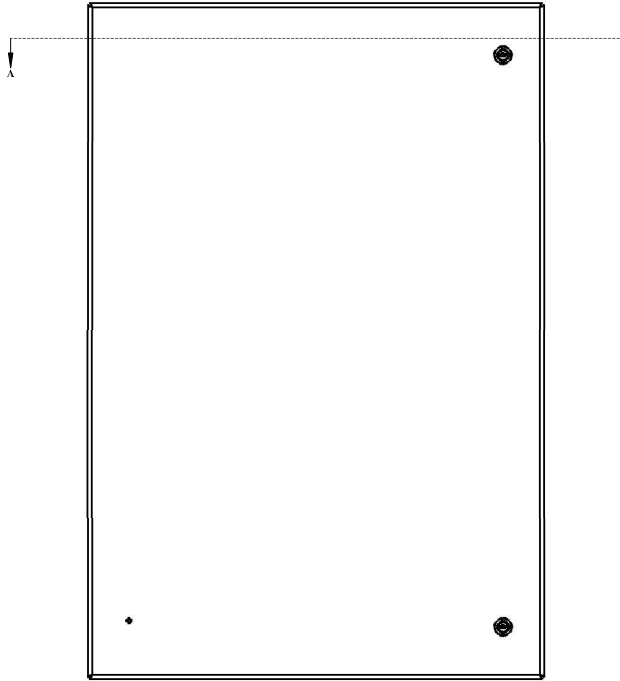


WEB DRAWING (NOT FOR FABRICATION)

UNLESS OTHERWISE SPECIFIED:			
SBS-453010			
DDB <i>Unlimited Inc.</i>			
SBS-453010 (Non-UL)			
REV	Cage Code:	DWG. NO.:	REV
D	28515	02309	F
SCALE: 1:12		WEIGHT: 49.14 lbs.	SHEET 1 OF 2

UNCLASSIFIED PUBLIC

WEB DRAWING (NOT FOR FABRICATION)



SECTION A-A
SCALE 1:4

WEB DRAWING (NOT FOR FABRICATION)

DESIGN OTHERWISE SPECIFIED:		DDB Unlimited Inc.	
DESCRIPTION AND QUANTITY:		SBS-453010 (closed)	
QUANTITY	NO. OF PANELS	REV	Cage Code: DWG. NO.: REV
1	1	D	28715 02309
1	1		
MATERIAL SPECIFICATION: ALUMINUM		SCALE 1:12 WEIGHT: 49.19 lbs. SHEET 2 OF 2	
PAINT: ANTI-CORROSION AND PROTECTIVE COAT		DDB NOT SCALE DRAWING	

UNCLASSIFIED PUBLIC

DDB FORM: 7.1.2 REV: AK 08/02/17