

UL-50 OD SERIES

OD-16DDC-UL50

Why Choose the OD-UL Series?

The OD-16DDC-UL50 enclosures are the ultimate choice for your outdoor racking requirements. Being made of our own rugged Alumiflex®, you'll find it noticeably lighter than steel, yet strong enough to rack even the heaviest equipment. When choosing the OD-UL series, you have handpicked the highest value in American construction. The OD-UL series includes the standard features you have come to expect with DDB, incorporating the versatile R-strut system for adjustable racking, the security of a 3-point locking system, our patented Alumishield® solar cap to manage heat loads, door grounding strap, & UL listed gasketing. For those who need more than just our standard enclosure, DDB can also make a truly customized solution with our many available options including HVAC, providing a climate-controlled environment for any electronic equipment, electrical load panels and cable entry solutions to name a few. All of this comes together to create an enclosure able to meet all of the unique needs your customers have been seeking. DDB offers a state-of-the-art design, a competitive price, benchmark lead times and a guaranteed delivery, all backed up with an industry leading 15-year warranty on every enclosure. Put DDB's substantial stock to work for you today. Contact our professional staff to assist you with your made-to-order solution.

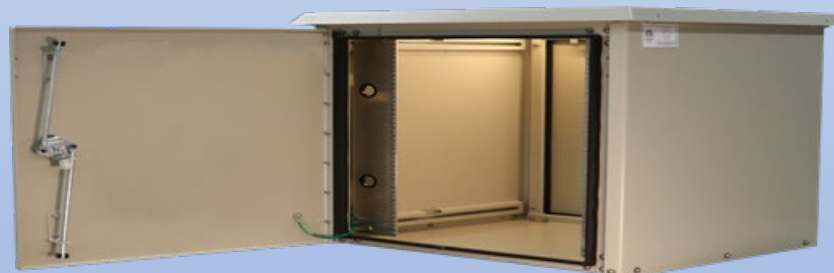


Features

- 15 Year Warranty
- 0.125" Aluminum Construction
- Welded Construction
- 3-Point Locking System
- Front and Rear Access
- Stainless Steel External Hardware/Hinge
- Custom Colors Available
- Water/Rain/Sleet/Dust Tight
- Flexible and Scalable
- Quick Shipping

Application Types

- Telecommunications
- Wireless/Broadband
 - Fiber Optics
 - Back Haul
 - Base Station
- Small Cell/ DAS
- Utility
- Public Safety
- Military
- Trailer-Based
- Communications
 - Wi-Fi
- Flexible and Scalable
 - LTEE/4G/5G
- Intelligent Traffic



Environmental & Safety Ratings:

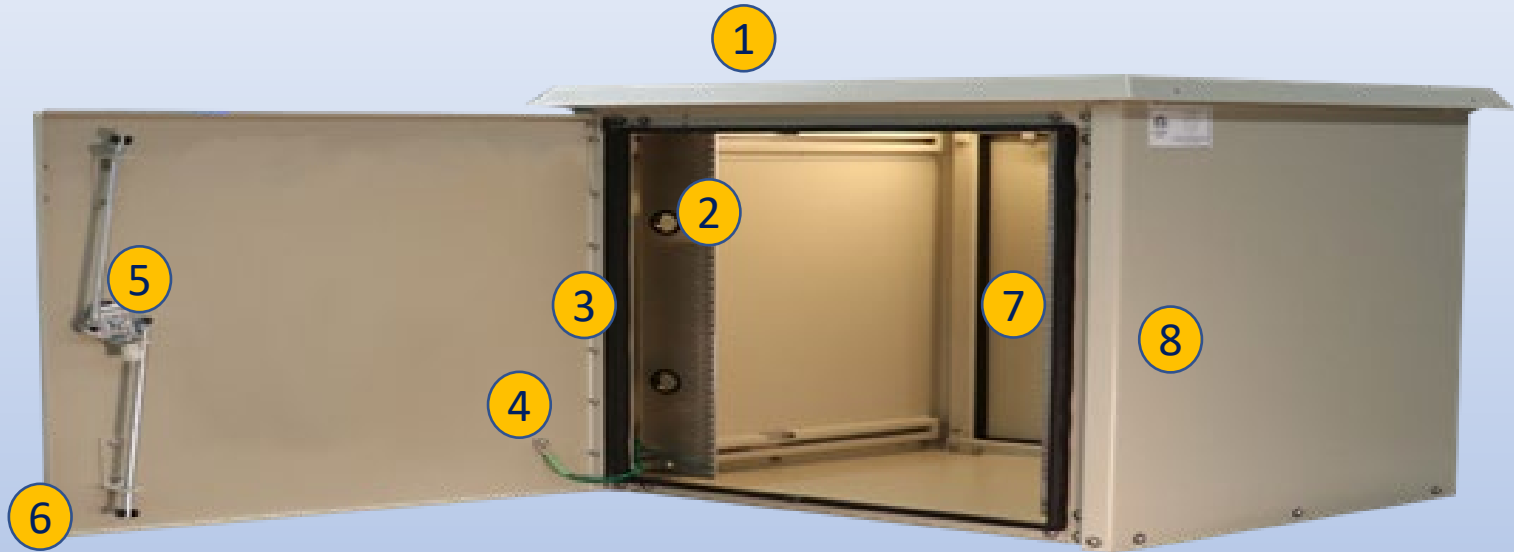
- ✓ ETL environmentally listed to UL 50/50E, IP 66, Type 4
- ✓ ETL listed; Safety Requirements, UL 62368-1:2019 Ed.3, CSA C22.2

Weight and Dimensions

- Approximate Exterior Enclosure Dimensions:
18"H x 29"W x 39"D
- Shipping Dimensions:
42"L x 32"W x 26"H- Palletized
- Approximate Shipping Weight:
89 lbs.

UL-50 OD SERIES

OD-16DDC-UL50



Features

1. Alumishield Solar Cap
2. 19" Adjustable Racking Rails
3. Stainless Steel Door Hinge
4. Door Grounding Strap
5. 3-Point Locking System
6. 0.125" Aluminum Construction
7. Rear Door Access
8. Powder Coat Finish

2301 S. HWY 77 Pauls Valley, OK 73075

T: (405)-665-2876

sales@ddbunlimited.com www.ddbunlimited.com

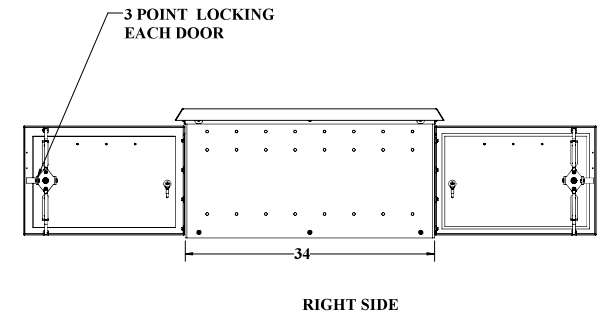
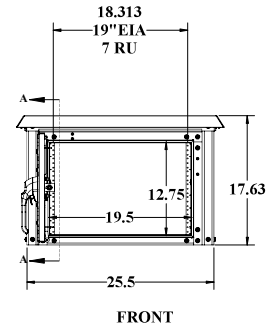
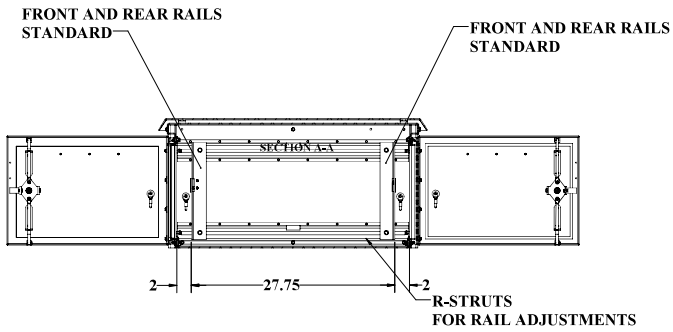
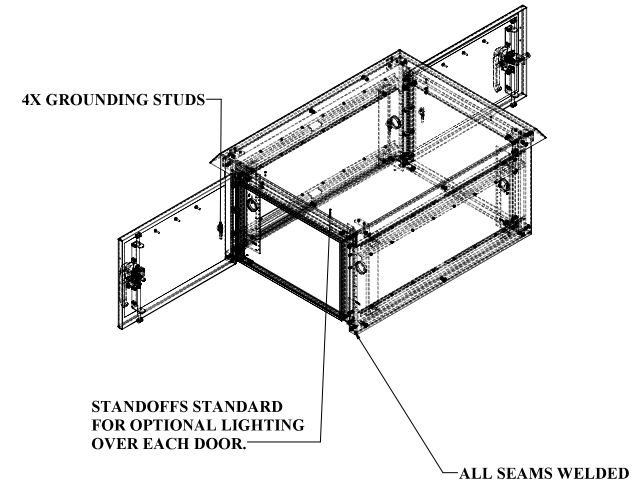
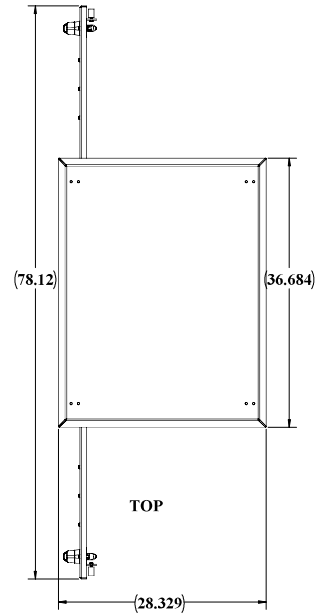
Scan this code for
Climate Control



Scan this code for
Accessories

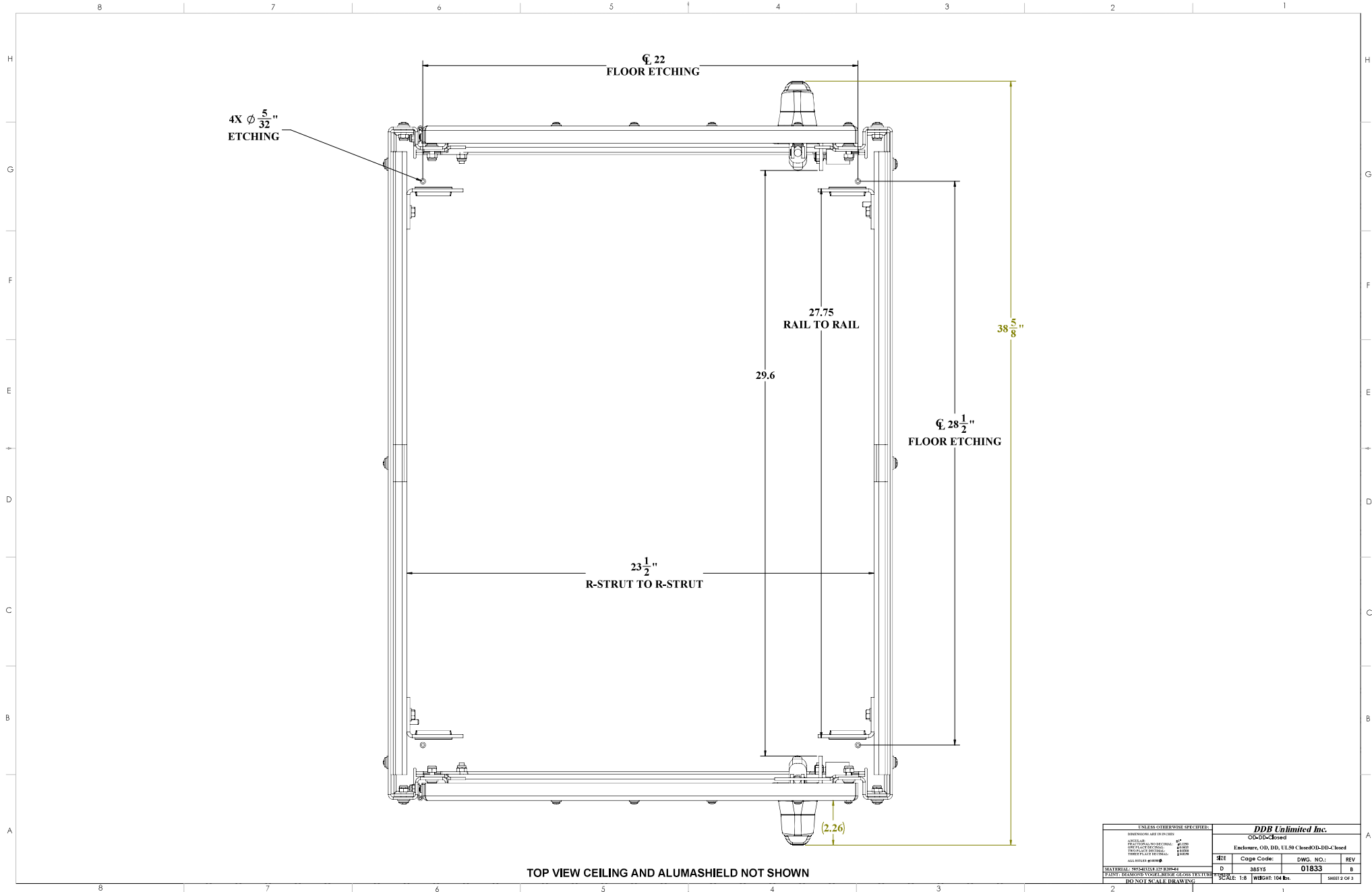


REVISIONS		
REV.	DESCRIPTION	DATE
A	CREATED WEBSITE DRAWING FOR OD-16DD-U150	9/12/2018
B	UPDATED SHEET FORMAT.	3/28/2022



UNLESS OTHERWISE SPECIFIED:			
DIMENSIONS ARE IN INCHES		DDB <i>Unlimited Inc.</i>	
MATERIALS TO BE USED:		OD-16DD-U150	
STRUCTURAL STEEL	16	Enclosure: OP, 16, DD, UL580B, 16DD-U150	
STEEL CHANNEL	16	REV	
STEEL PLATE	16	Code Code:	DWG. NO.:
STEEL PLATE	16	D	01833
STEEL PLATE	16	S	
STEEL PLATE	16	SCALE: 1:8	WEIGHT 78 lbs.
STEEL PLATE	16	SHEET 1 OF 3	

UNCLASSIFIED PUBLIC



4X Ø 5/32"
ETCHING

Ø 22
FLOOR ETCHING

27.75
RAIL TO RAIL

29.6

23 1/2"
R-STRUT TO R-STRUT

Ø 28 1/2"
FLOOR ETCHING

38 5/8"

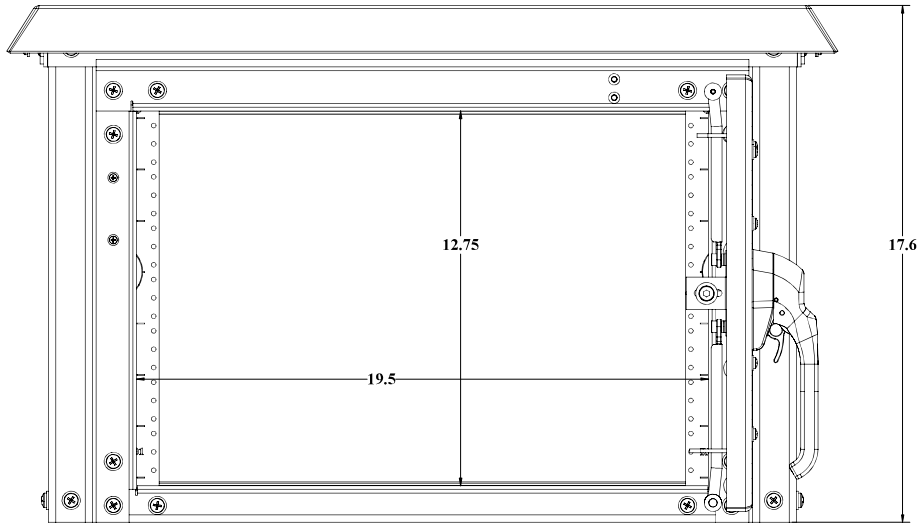
(2.26)

TOP VIEW CEILING AND ALUMASHIELD NOT SHOWN

UNLESS OTHERWISE SPECIFIED:			
DIMENSIONS ARE IN INCHES			
FINISH	Ø	IN	
ASSEMBLY TOLERANCE	±	0.005	
GEOMETRIC TOLERANCE	±	0.005	
DRILL HOLE POSITIONAL	±	0.005	
DRILL HOLE DIA.	±	0.005	
DRILL HOLE DEPTH	±	0.005	
DRILL HOLE TAPER	±	0.005	
ALL DIMENSIONS ARE TO CENTER UNLESS OTHERWISE SPECIFIED			
MATERIAL SPECIFICATION FOR DRAWING			
DRILL HOLE POSITIONAL	±	0.005	
DRILL HOLE DIA.	±	0.005	
DRILL HOLE DEPTH	±	0.005	
DRILL HOLE TAPER	±	0.005	
DO NOT SCALE DRAWING			

DDB Unlimited Inc.			
CQ-024-0500			
Eadsboro, MD, 20601, U.S. Chesapeake Bay			
REV	Code Code:	DWG. NO.:	REV
D	28515	01833	8
SCALE: 1:8		WEIGHT: 104 Lbs.	SHEET 2 OF 3

UNCLASSIFIED PUBLIC



BACK VIEW

UNLESS OTHERWISE SPECIFIED:			
DIMENSIONS ARE IN INCHES		CD-1100-1150	
FINISH	1" DIA.	Enduro-C, OR, 14, DD, UL580B, 14DD-E, L159	
DRILLING	1/8" DIA.	REV	01833
DRILLING	1/8" DIA.	DWG. NO.	8
DRILLING	1/8" DIA.	SCALE	1:8
DRILLING	1/8" DIA.	WEIGHT	78 lbs.
DRILLING	1/8" DIA.	SHEET 2 OF 3	
DO NOT SCALE DRAWING			

UNCLASSIFIED PUBLIC

DDB FORM: 7.1.2 REV: A 08/02/17