

# UL-50 OD SERIES

## OD-30DDC-UL50

## Why Choose the OD-UL Series?

The OD-30DDC-UL50 enclosures are the ultimate choice for your outdoor racking requirements. Being made of our own rugged Alumiflex®, you'll find it noticeably lighter than steel, yet strong enough to rack even the heaviest equipment. When choosing the OD-UL series, you have handpicked the highest value in American construction. The OD-UL series includes the standard features you have come to expect with DDB, incorporating the versatile R-strut system for adjustable racking, the security of a 3-point locking system, our patented Alumishield® solar cap to manage heat loads, door grounding strap, & UL listed gasketing. For those who need more than just our standard enclosure, DDB can also make a truly customized solution with our many available options including HVAC, providing a climate-controlled environment for any electronic equipment, electrical load panels and cable entry solutions to name a few. All of this comes together to create an enclosure able to meet all of the unique needs your customers have been seeking. DDB offers a state-of-the-art design, a competitive price, benchmark lead times and a guaranteed delivery, all backed up with an industry leading 15-year warranty on every enclosure. Put DDB's substantial stock to work for you today. Contact our professional staff to assist you with your made-to-order solution.



## Features

- 15 Year Warranty
- 0.125" Aluminum Construction
- Welded Construction
- 3-Point Locking System
- Front and Rear Access
- Stainless Steel External Hardware/Hinge
- Custom Colors Available
- Water/Rain/Sleet/Dust Tight
- Flexible and Scalable
- Quick Shipping

## Application Types

- Telecommunications
- Wireless/Broadband
  - Fiber Optics
  - Back Haul
  - Base Station
- Small Cell/ DAS
- Utility
- Public Safety
- Military
- Trailer-Based
- Communications
  - Wi-Fi
- Flexible and Scalable
  - LTEE/4G/5G
- Intelligent Traffic



## Environmental & Safety Ratings:

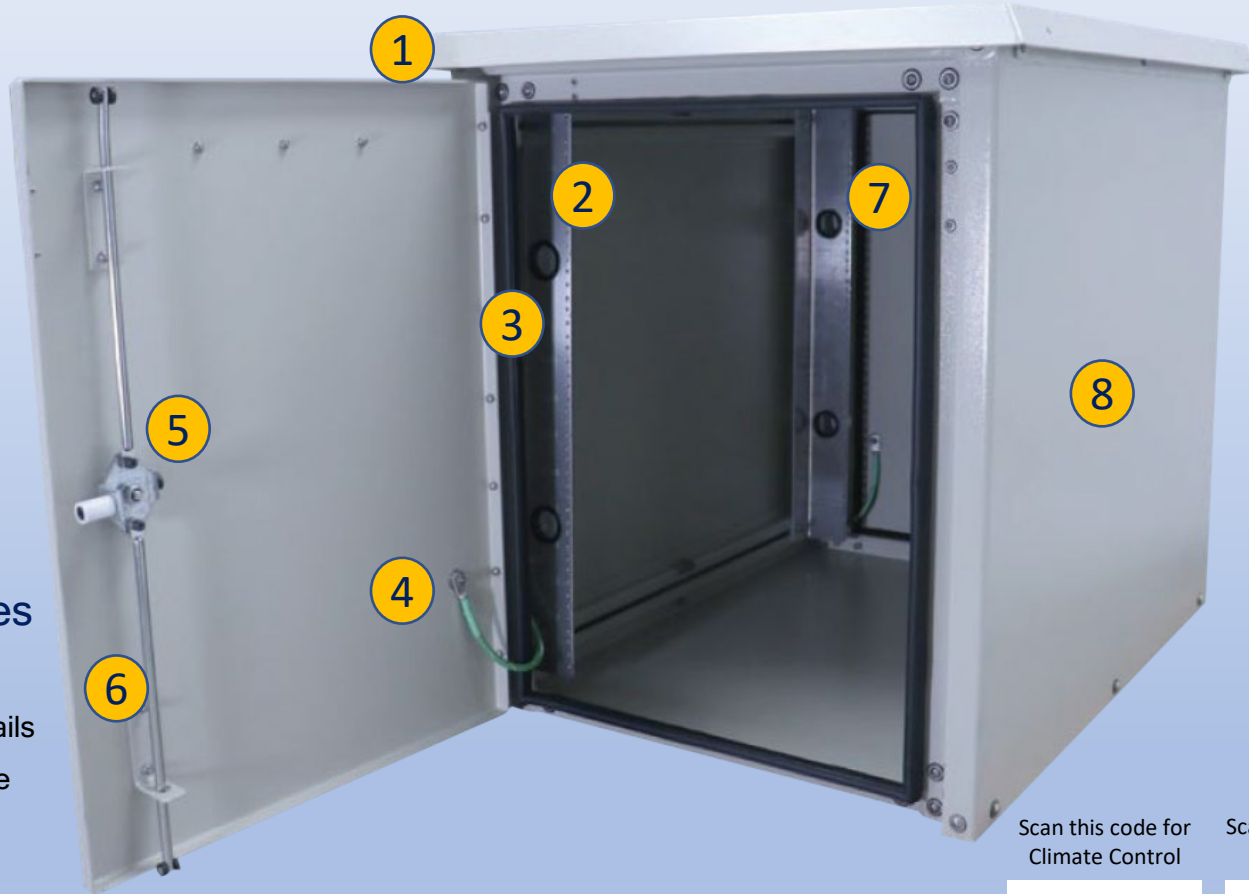
- ✓ ETL environmentally listed to UL 50/50E, IP 66, Type 4
- ✓ ETL listed; Safety Requirements, UL 62368-1:2019 Ed.3, CSA C22.2

## Weight and Dimensions

- Approximate Exterior Enclosure Dimensions:
  - 32"H x 29"W x 39"D
- Shipping Dimensions:
  - 42"L x 32"W x 40"H- Palletized
- Approximate Shipping Weight:
  - 155 lbs.

# UL-50 OD SERIES

## OD-30DDC-UL50



### Features

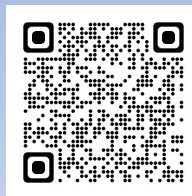
1. Alumishield Solar Cap
2. 19" Adjustable Racking Rails
3. Stainless Steel Door Hinge
4. Door Grounding Strap
5. 3-Point Locking System
6. 0.125" Aluminum Construction
7. Rear Door Access
8. Powder Coat Finish

2301 S. HWY 77 Pauls Valley, OK 73075

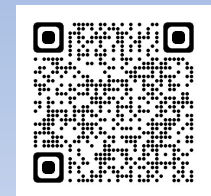
T: (405)-665-2876

[sales@ddbunlimited.com](mailto:sales@ddbunlimited.com) [www.ddbunlimited.com](http://www.ddbunlimited.com)

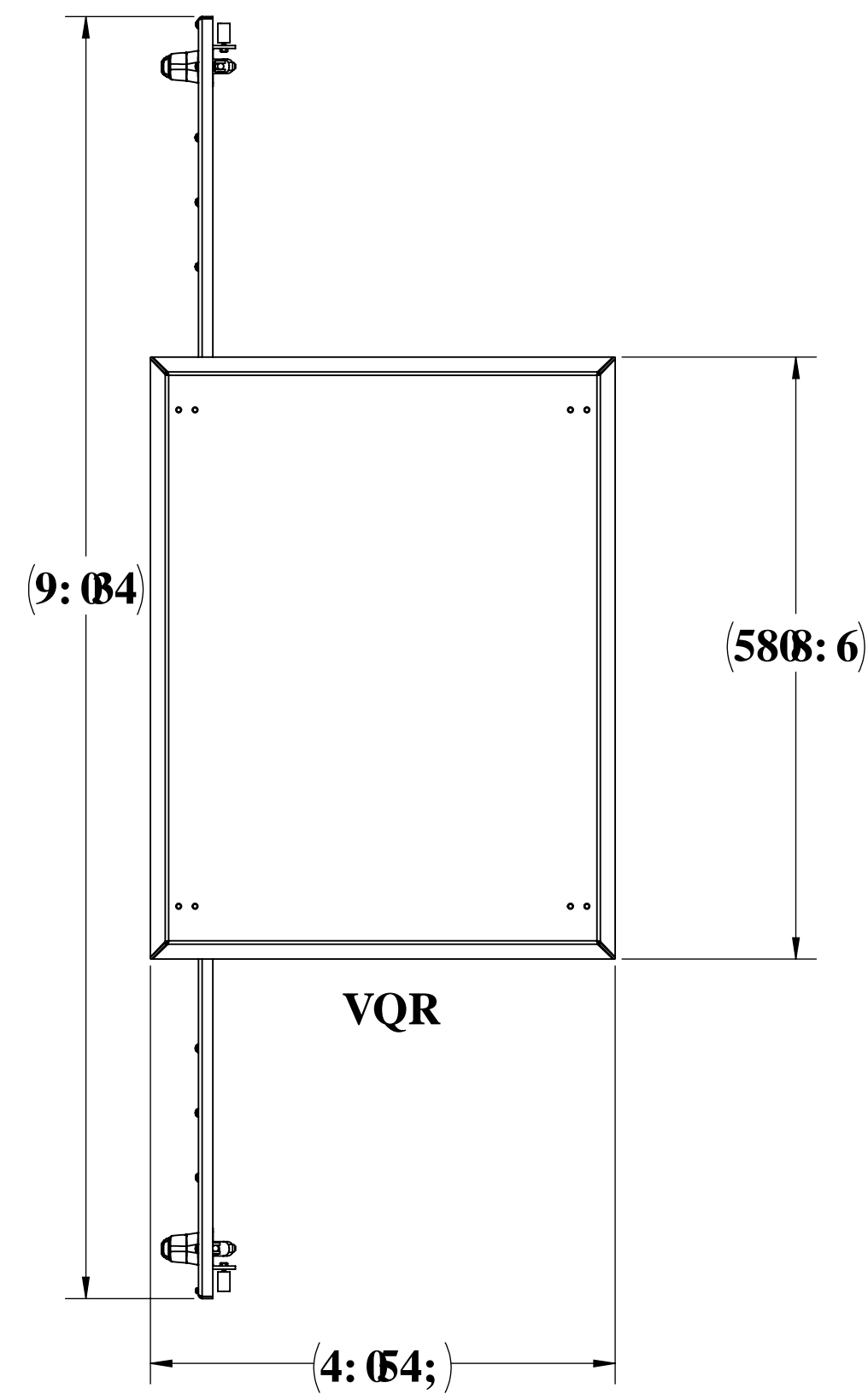
Scan this code for  
Climate Control



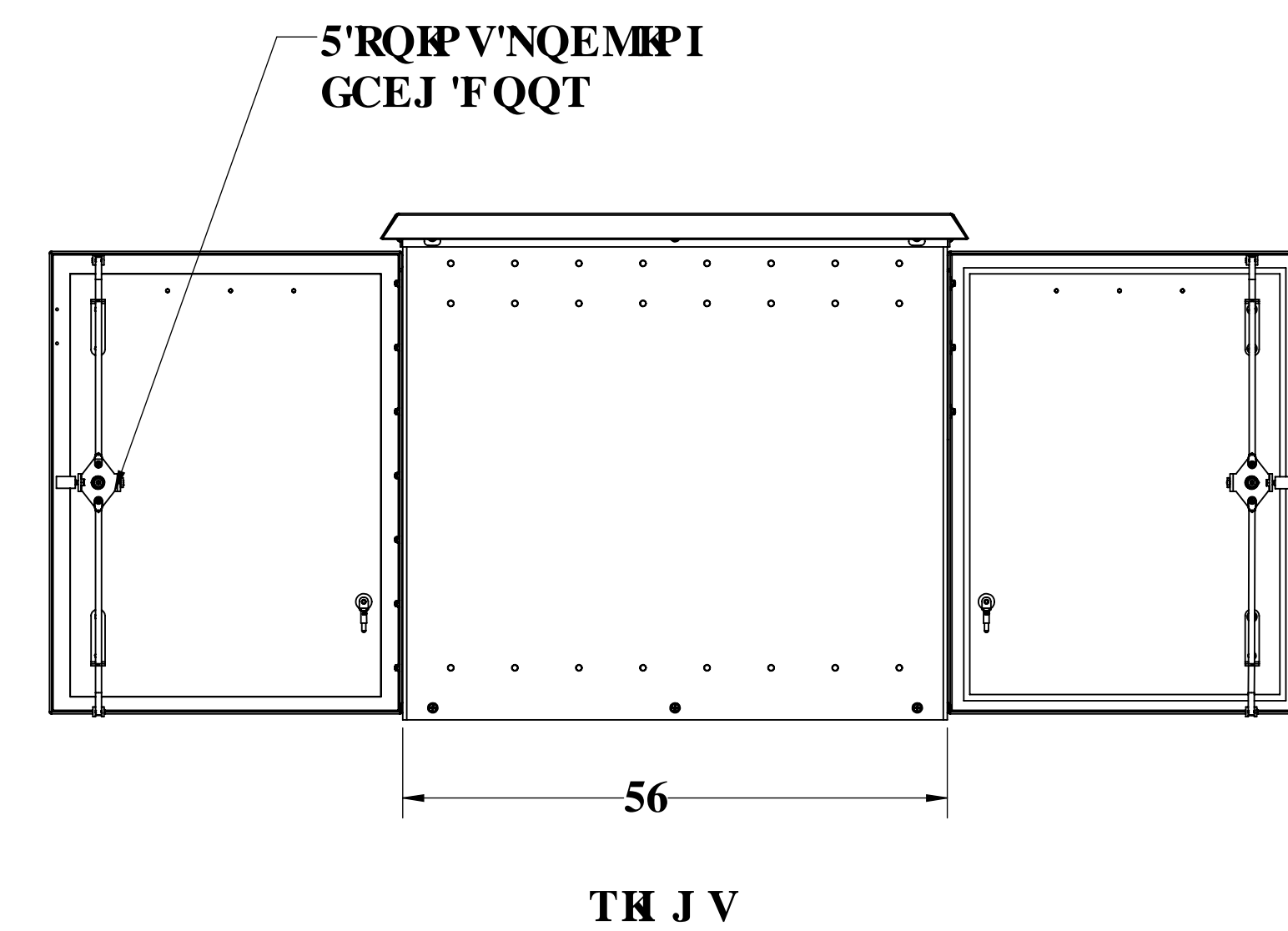
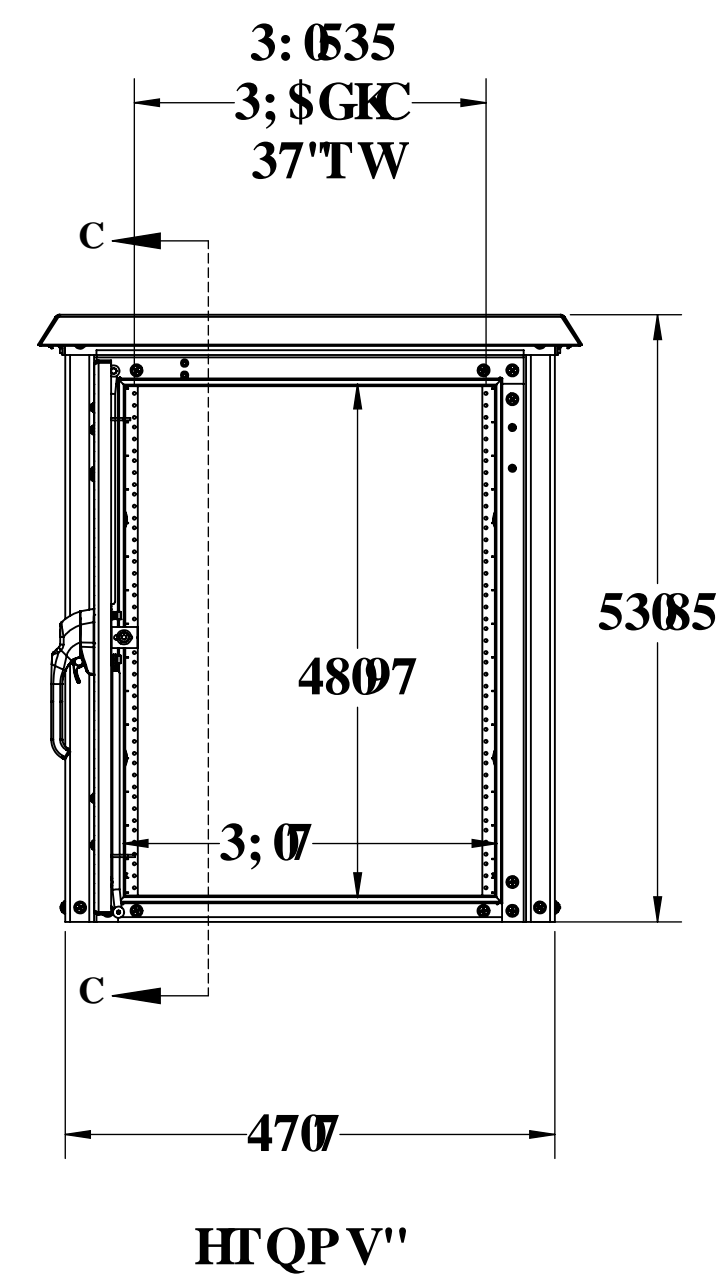
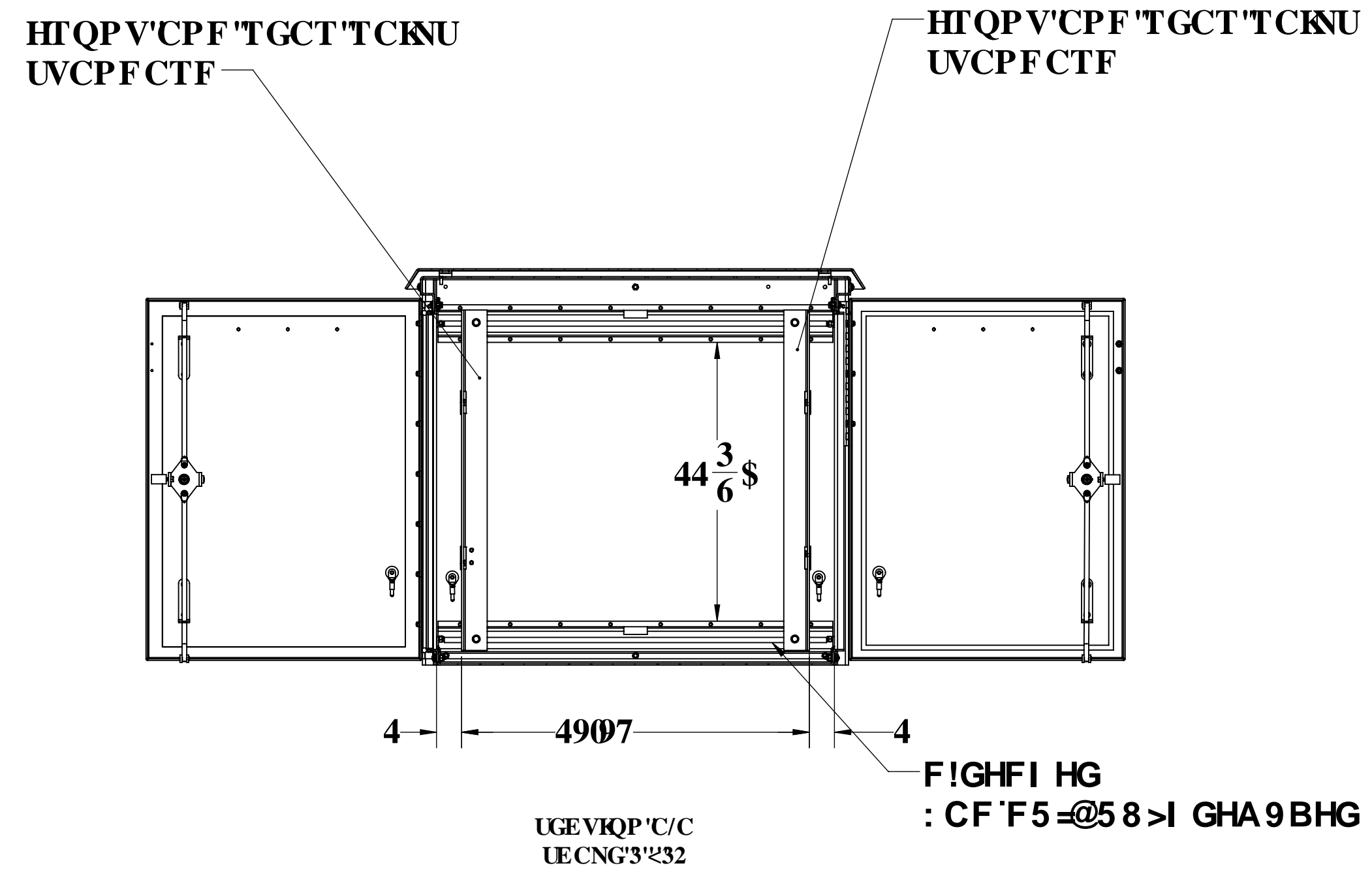
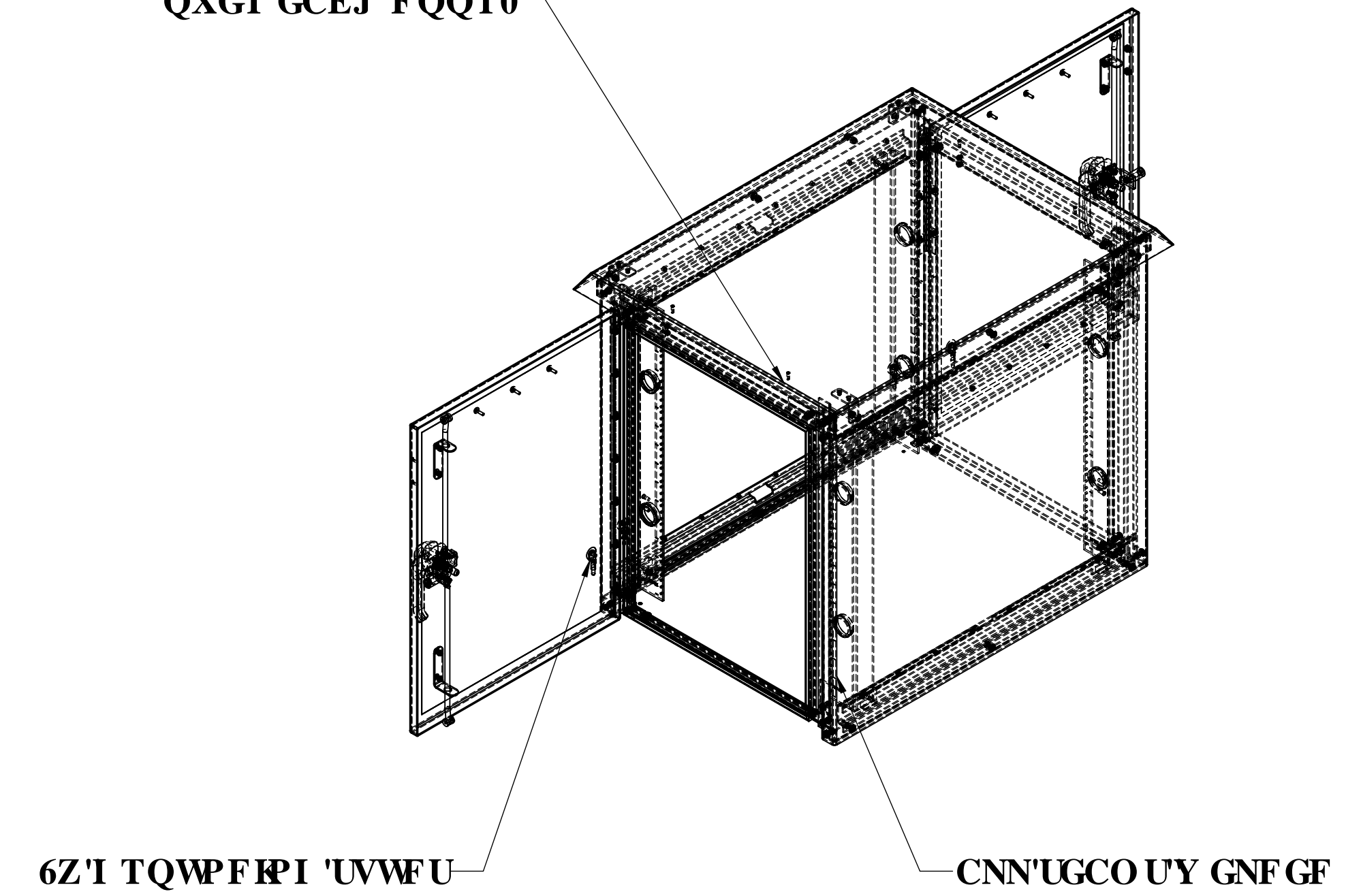
Scan this code for  
Accessories



TGXHQPU		
TGX0	FGUETRRVQP	FCVG
C	ETGCVGF'Y GDUS'G'FTCY R'P I 'HQT'QF/52FF/ WN72'RGT'FT/23: 66	; B9H23:
D	WRF CVGF'UI GGV'HQTO CV	5H: H244



UVC PF QHHU'VCP F CTF  
HQT'QRVQP CN'NH J VR I  
QXGT'GCEJ 'FQQT0



I B70CGG-98 DI 607		8861 b'p JYX-bW	
BA WOCBOSPV 07-07-08		CB' \$8811 @ \$	
GNP	7U[Y 7cXY.	BK: "BC"	F9J
8	' , )M	\$% ((	6
BC BCHG7 5@98FSK-B		G7 5@% K 9: <H% Vg	

I B70CGG-98 DI 607

6Z' 7/54 \$  
GVEJ RPI

44  
GVEJ RPI

4907  
TCK'VQ'TCK

4; 8

4: 3/4 \$  
HNQT'GVEJ RPI

5: 7/ \$

45: 7/ \$  
T/UTW'VQ'T/UTW

(4018)

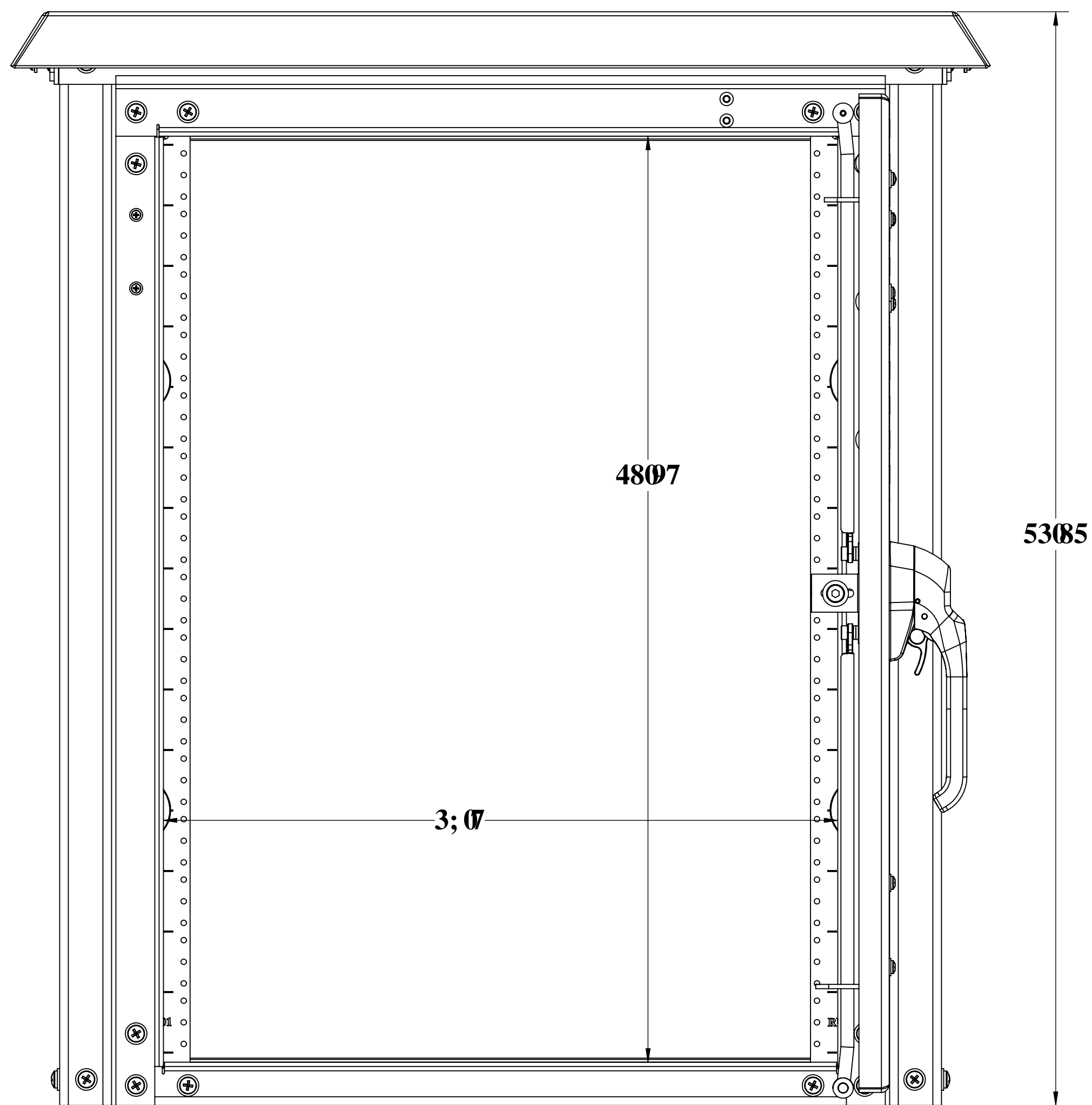
VUÁXOY ÁOŠC ÓÁE ÓÁŠWT OEP OŠOÁ UVÁPUY P

WPENCUIHGF'RWDNIE

WPNCUUIHGF'RWDNIE		FFD'Wpilo lsg' 'Ipe0	
C8188! 7 cgyX		C8188! 7 cgyX	
Grenpnt g'QF'FF'WN72'Empf QF/FF/Emgf			
GAP	7U[Y 7cXY.	BK: "BC".	F9J
8	' ,)M	\$% ((	6
G7 5@: "%% K 9: <H%(' Vg'		G-99H.C: "	

FFD'Wpilo lsg' 'Ipe0





DCEM'XHG

WPENCUIHGF'RWDNE

WPNCUQUV GY HGUWMBGF< FROGHPUCUW'WELG CFI WNC'.....1' HUCVROP'CPQFGRBC'.....20472 QPCNCE'GTGRBC'.....20472 VV'ONCE'GTGRBC'.....20472 VV'EGN'GTGRBC'.....20472 CN9'QNA'.....20472		<b>FFD'Wplo ksf'Kpe0</b> C8' \$8811 @ \$ Gpenst'g.'QF.'52.'FF.'WNT2QF/52FF/WNT2	
GN9	7U[Y 7cXY.	8K ; " BC "	F9J
8	' , ) M	\$% ((	6
RCRV<FICOQPF'XQI GNDGR GT NQUUGV:542		G7 5@: '%% K 9: <H%( 'Vg'	
EQ'POV'UECNGFTCY R1		G-994' C: "	

FFDYQTO-9/8/4TKA...2: D4B9