

UL-50 OD SERIES

OD-30DDXC-UL50

Why Choose the OD-UL Series?

The OD-30DDXC-UL50 enclosures are the ultimate choice for your outdoor racking requirements. Being made of our own rugged Alumiflex®, you'll find it noticeably lighter than steel, yet strong enough to rack even the heaviest equipment. When choosing the OD-UL series, you have handpicked the highest value in American construction. The OD-UL series includes the standard features you have come to expect with DDB, incorporating the versatile R-strut system for adjustable racking, the security of a 3-point locking system, our patented Alumishield® solar cap to manage heat loads, door grounding strap, & UL listed gasketing. For those who need more than just our standard enclosure, DDB can also make a truly customized solution with our many available options including HVAC, providing a climate-controlled environment for any electronic equipment, electrical load panels and cable entry solutions to name a few. All of this comes together to create an enclosure able to meet all of the unique needs your customers have been seeking. DDB offers a state-of-the-art design, a competitive price, benchmark lead times and a guaranteed delivery, all backed up with an industry leading 15-year warranty on every enclosure. Put DDB's substantial stock to work for you today. Contact our professional staff to assist you with your made-to-order solution.



Features

- 15 Year Warranty
- 0.125" Aluminum Construction
- Welded Construction
- 3-Point Locking System
- Front and Rear Access
- Stainless Steel External Hardware/Hinge
- Custom Colors Available
- Water/Rain/Sleet/Dust Tight
- Flexible and Scalable
- Quick Shipping

Application Types

- Telecommunications
- Wireless/Broadband
 - Fiber Optics
 - Back Haul
- Base Station
- Small Cell/ DAS
- Utility
- Public Safety
- Military
- Trailer-Based
- Communications
 - Wi-Fi
- Flexible and Scalable
 - LTEE/4G/5G
- Intelligent Traffic



Environmental & Safety Ratings:

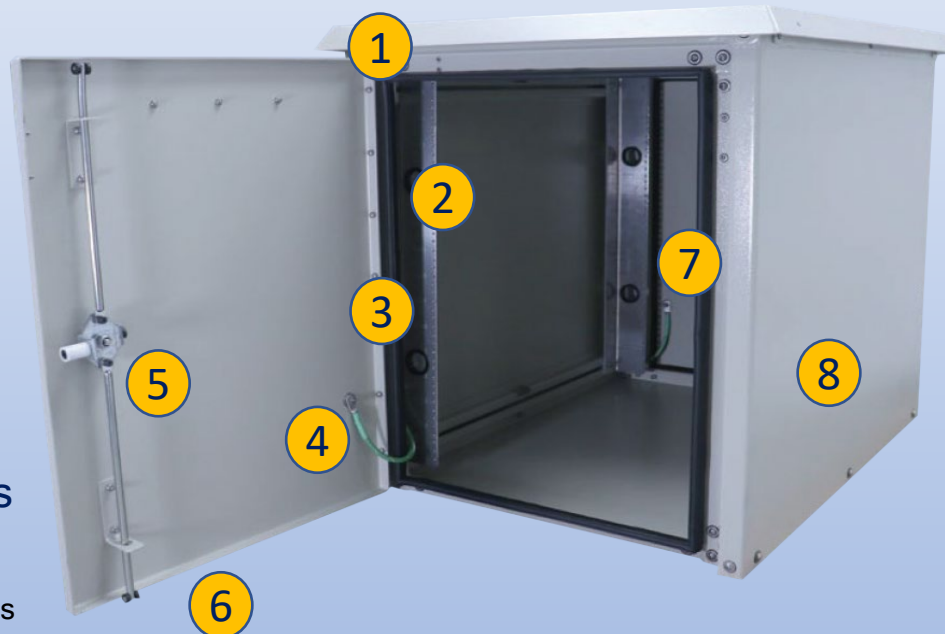
- ✓ ETL environmentally listed to UL 50/50E, IP 66, Type 4
- ✓ ETL listed; Safety Requirements, UL 62368-1:2019 Ed.3, CSA C22.2

Weight and Dimensions

- Approximate Exterior Enclosure Dimensions:
 - 32"H x 29"W x 47"D
- Shipping Dimensions:
 - 52"L x 32"W x 40"H- Palletized
- Approximate Shipping Weight:
 - 152 lbs.

UL-50 OD SERIES

OD-30DDXC-UL50



Features

1. Alumishield Solar Cap
2. 19" Adjustable Racking Rails
3. Stainless Steel Door Hinge
4. Door Grounding Strap
5. 3-Point Locking System
6. 0.125" Aluminum Construction
7. Rear Door Access
8. Powder Coat Finish

2301 S. HWY 77 Pauls Valley, OK 73075

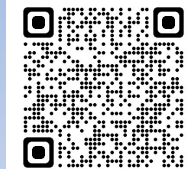
T: (405)-665-2876

sales@ddbunlimited.com www.ddbunlimited.com

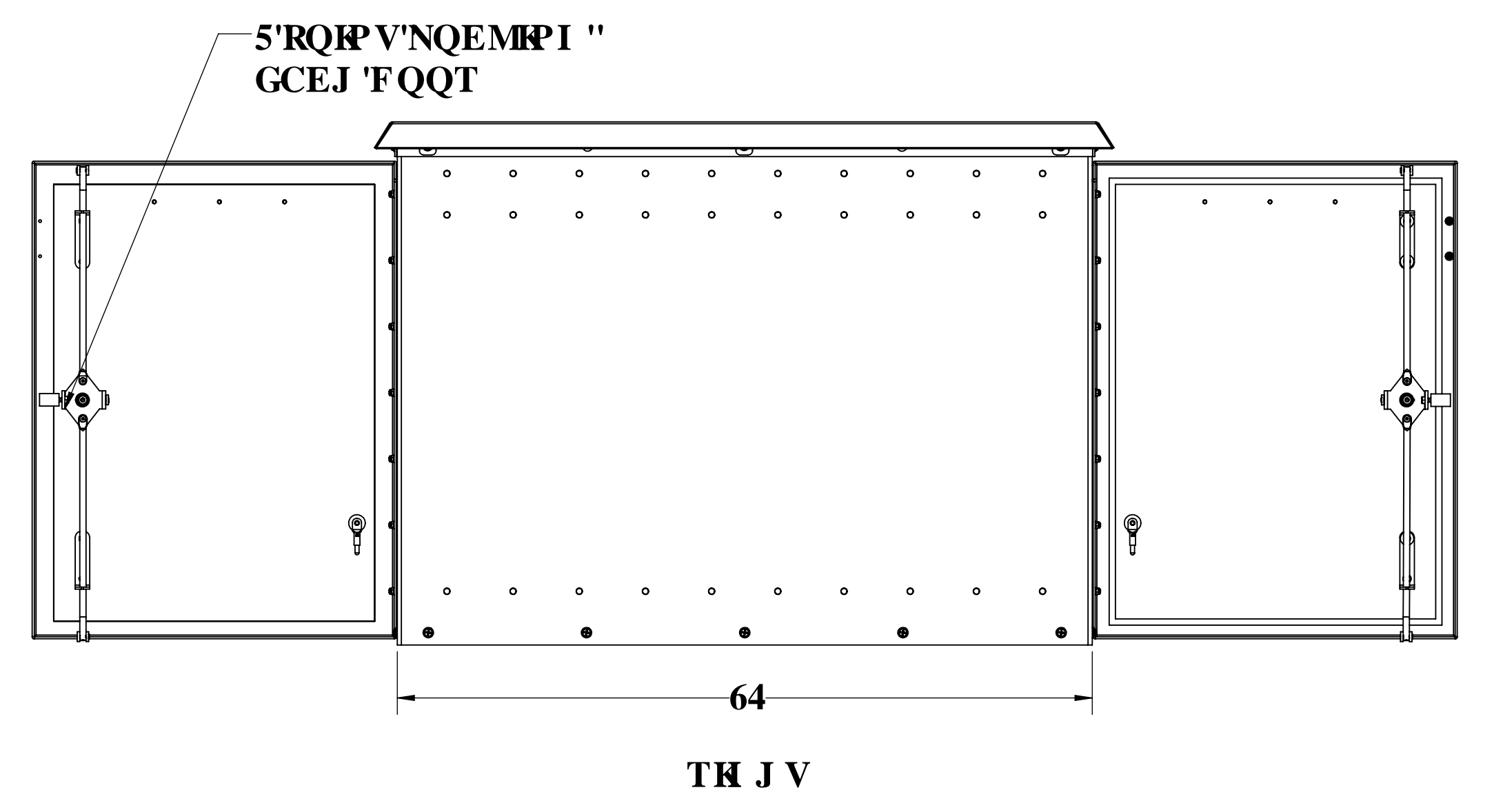
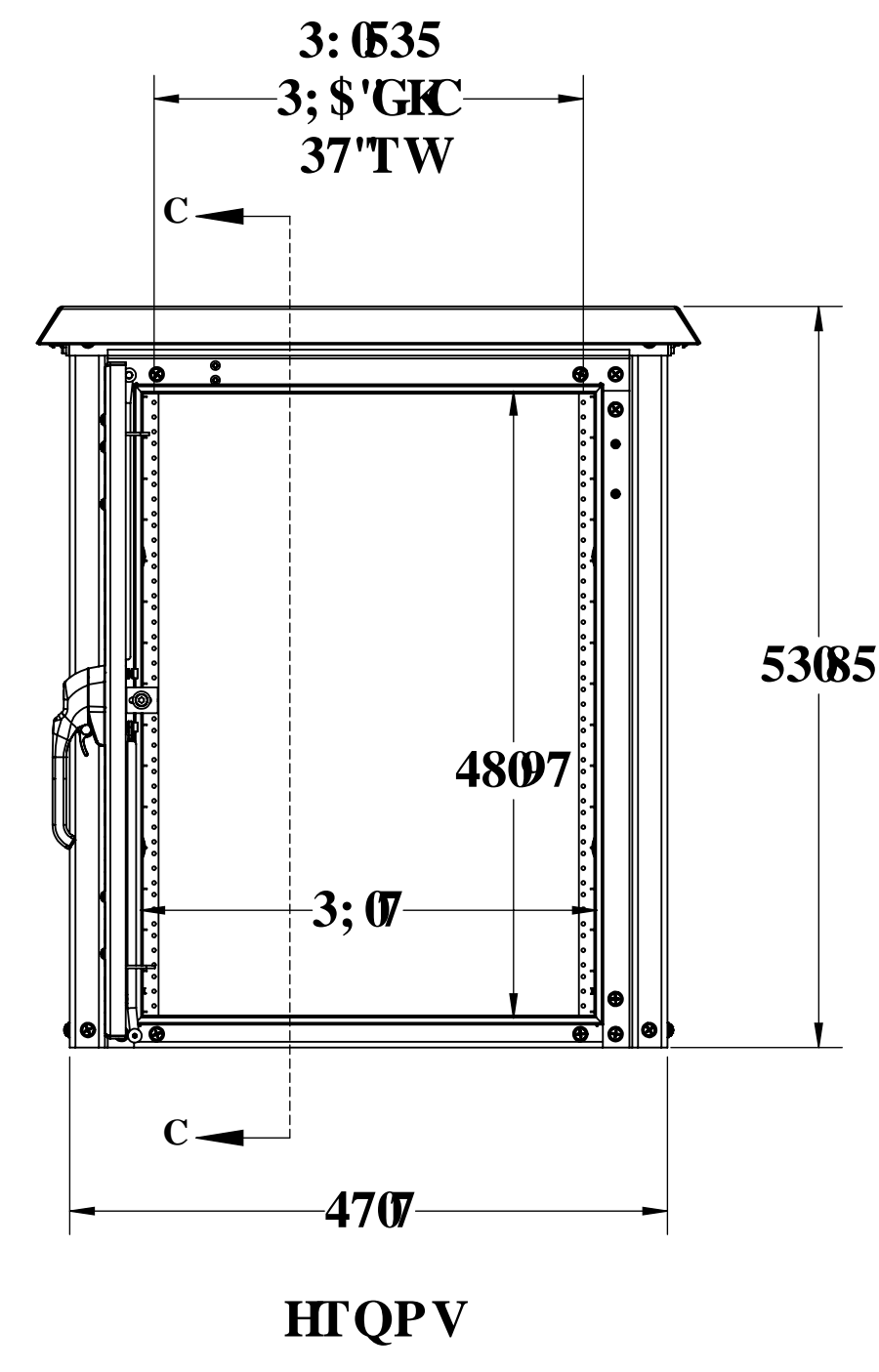
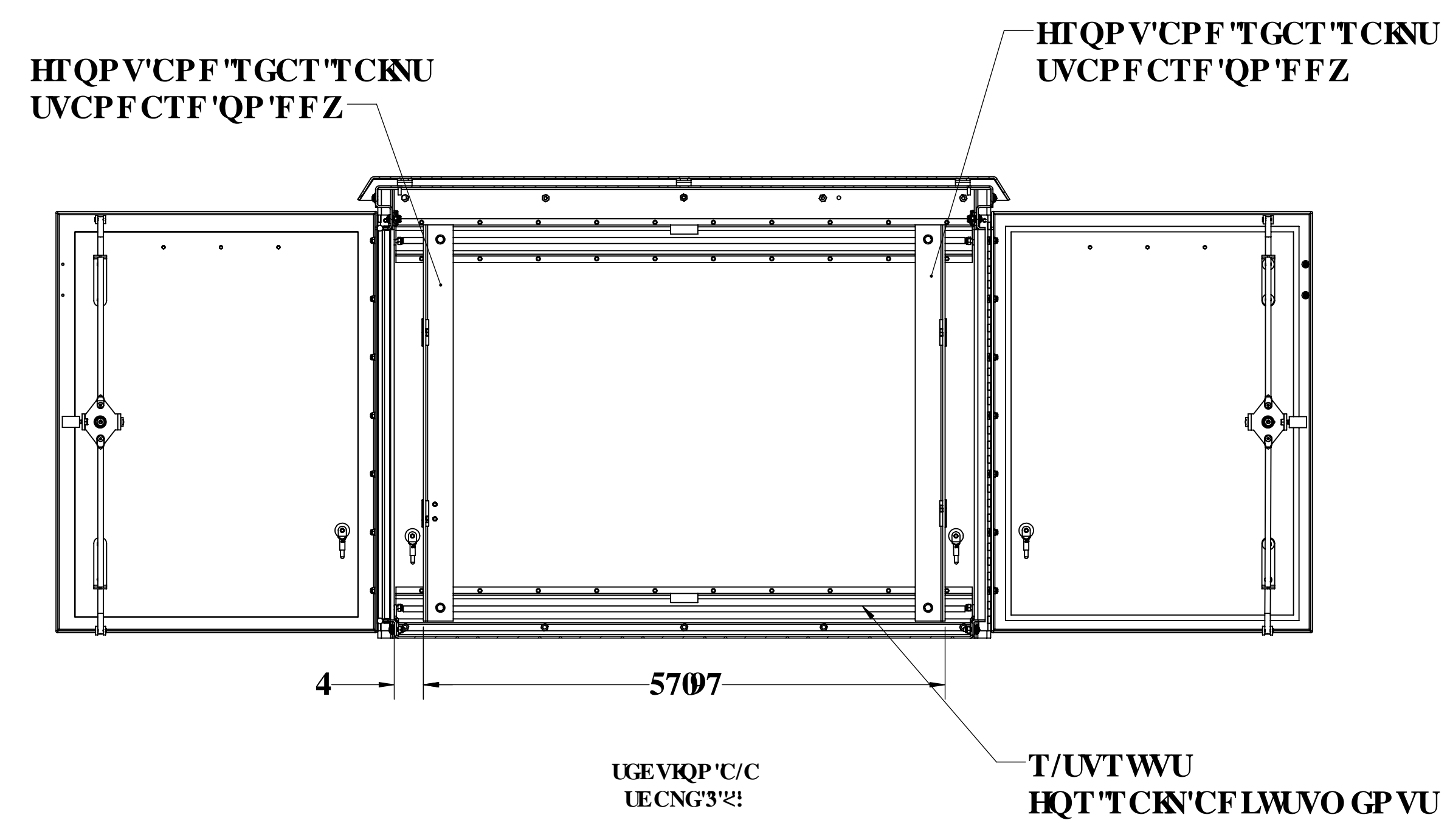
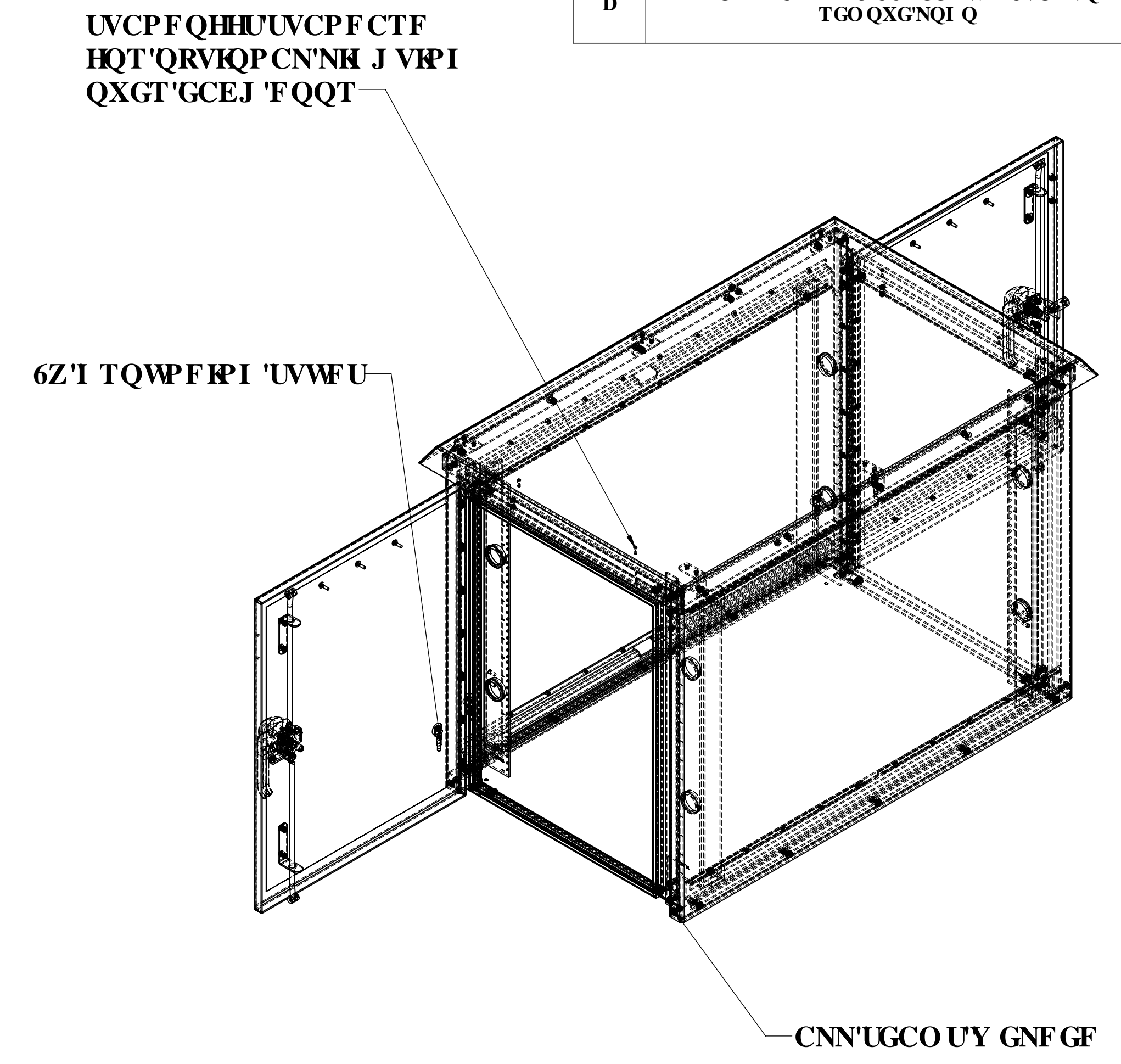
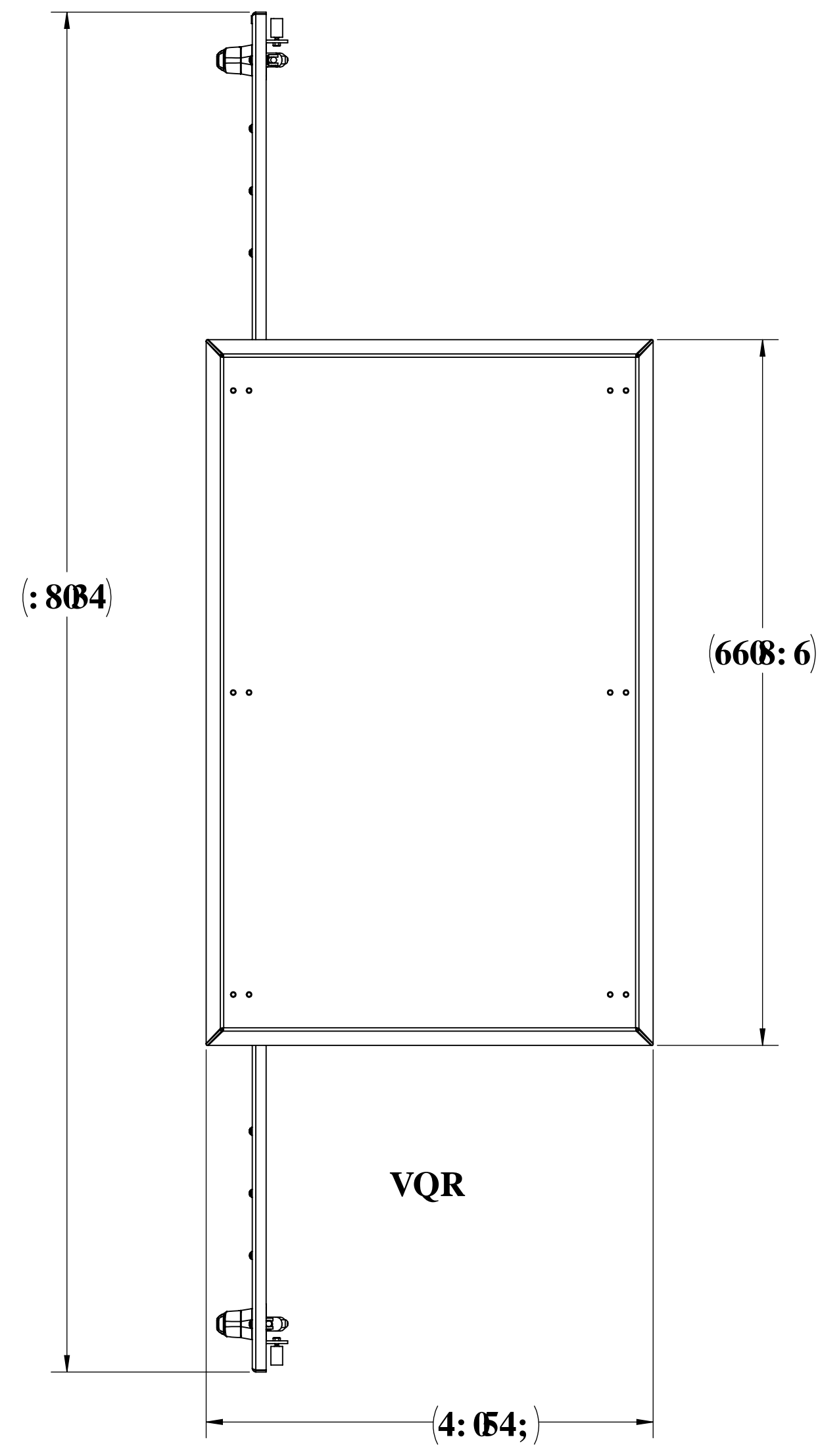
Scan this code for
Climate Control



Scan this code for
Accessories

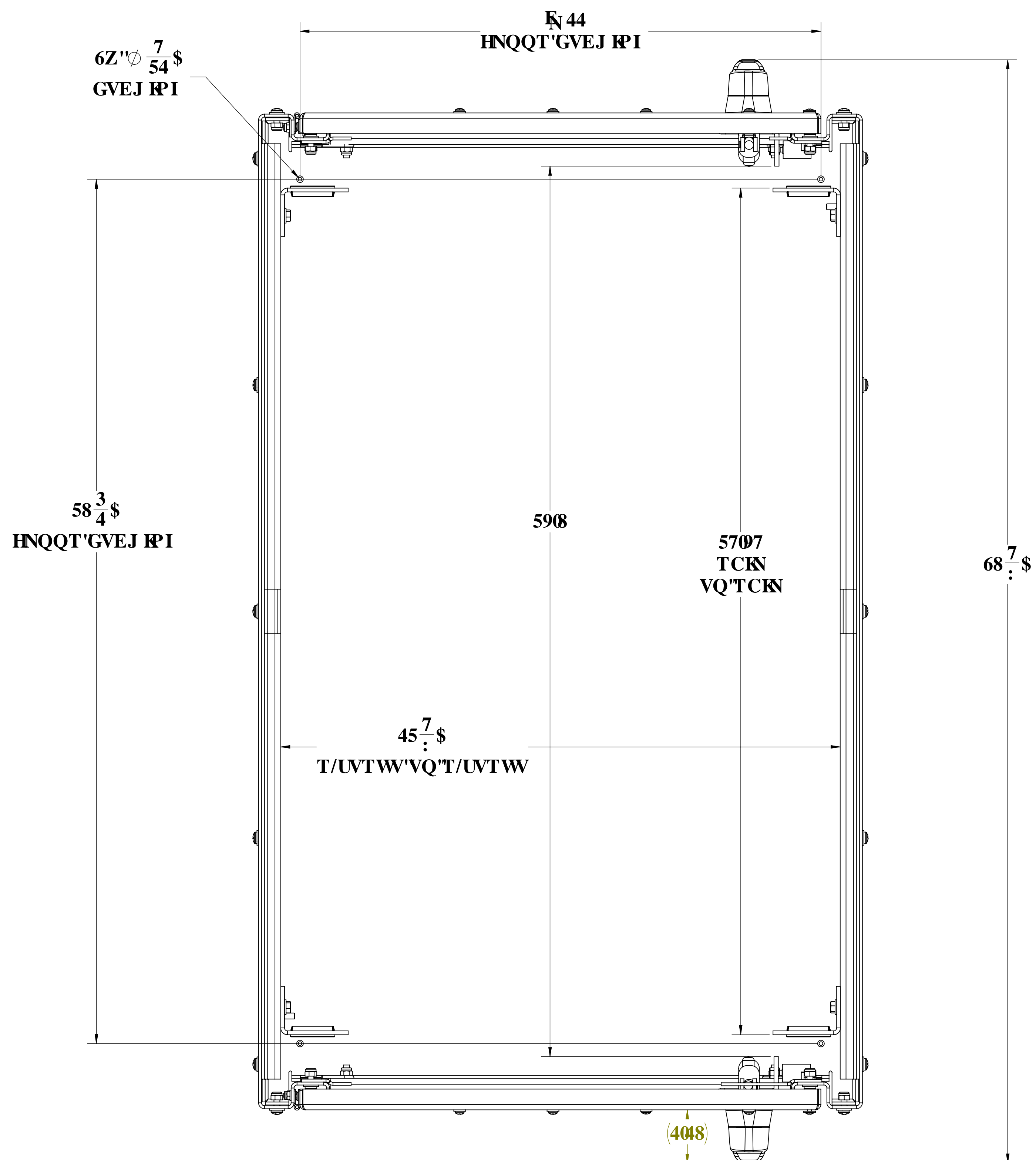


TGXHQPU		
TGX0	FGUETRRVQIP	FCVG
C	ETGCVGF'Y GDUS'GFTCY RPI 'HQT'QF/52FFZ/ WN72'RT'FT/23: 67	; B9H23:
D	Y GD'FTCY RPI 'J CUDGGP'WRF'CVGF'VQ" TGO QXG'NQI Q	5H3H244



I B7@CG#-98 DI 6@7		8861 b'j JYX-bW	
CBI' SBLLI @ \$		CBI' SBLLI @ \$	
GNP	7U[Y 7cXY.	BK: "BC"	F9J
8	' ,)M	\$% ()	6
BC BCHG7 5@98FSK-B		G7 5@9: %%% K 9: <H%85 Vg'	

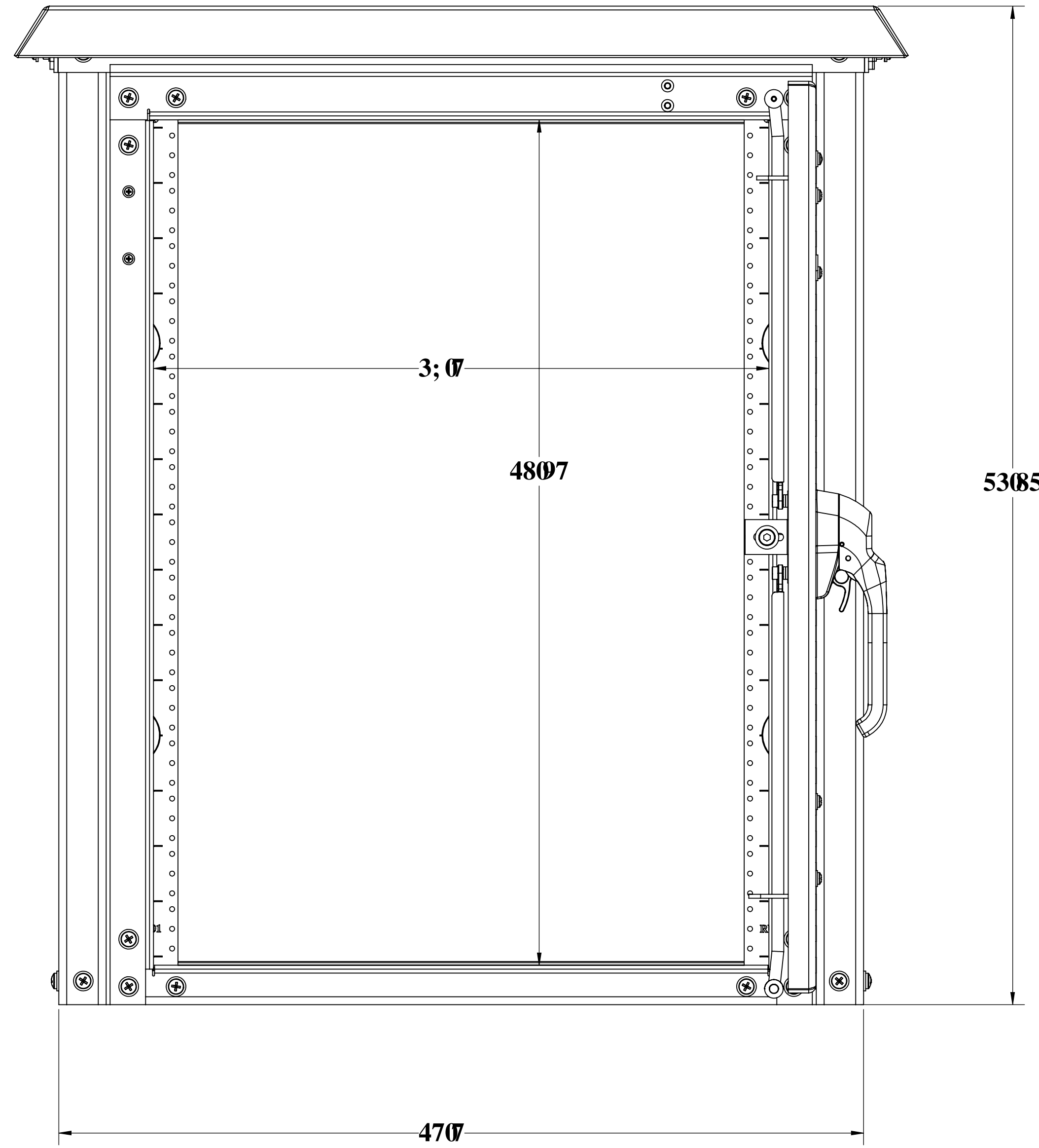
I B7@CG#-98 DI 6@7



VQR'XIGY 'EGNRPI 'CPF'CNWO CUJ KGNF'PQV'UI QY P

I B9KGC'9K 49 CD77 ± 98.	8861 b'j JYX -bW		
BA WOCBOPV e-87 -CG	CB88L17 cgl'X		
SB 1-8F	GNP	7U[Y7cXY.	BK; "BC".
757NCSMBC 897 A 58 : 5700 S	8	')M	\$% ()
C028E'71077 A 58 : 5700 S			6
K.C D87'989 A 58 : 5700 S			
H.898E'71077 A 58 : 5700 S			
SMB:CGE:555 10"			
A 5HF-5@)\$ 82' 81\$90 5GA 665-1S(
D5-BH 85ACB7C: 0822 9' 4CG8LH P9H' 85			
BC BCHK7 5@98F5K -B:	G7 5@. %%%	K 9: <H%\$ Vg'	G-9948.C. "

I B7 @CG± -98 'Dl 6@7



DCEM'XKGY 'I CUMGV'PQV'UJ QY P

I B7 @CG# -98 'DI 6@7

I B7@CG# -98 'DI 6@7			
8861 b'p JYX -bW			
CBI' S88LII @ S			
G#P	7U[Y 7cXY.	BK; "BC"	F9J
8	' ,)M	\$% ()	6
G7 5@% %K 9# <H%\$ Vg			
G-994 C."			