

# Cabinet Bases

## CB Series



### Why Choose the CB series for your Enclosure?

Does your enclosure need a lift? Literally? Do you need a place to gather cable or have the enclosure in a more ergonomical position to work in? When it comes to pad mounting, working with cabling or power underneath, or if you simply need your enclosure to sit on top of the snow drifts instead of under it, look no further than DDB's extensive line of enclosure bases. All enclosure bases can be installed onto your enclosure by our professional in-house technicians guaranteeing a perfect fit every time, with an additional benefit of saving your time and money allowing you to focus on what is important. Contact our professional staff to assist you with your made-to order solution.



### Available Heights

#### 3" Pedestal Base

(No Access Plate)

#### 4" Pedestal Base

(No Access Plate)

#### 6" Pedestal Base

(Access Plate F/R)

#### 12" Pedestal Base

(Access Plate F/R)

#### 24" Pedestal Base

(Access Plate F/R)

Available for DX, DD and DDX models

### Includes

#### ½" Mounting Hardware

(Installing enclosure to base)



CB12-DXC, Shown in picture

2301 S. HWY 77 Pauls Valley, OK 73075

T: (405)-665-2876

[sales@ddbunlimited.com](mailto:sales@ddbunlimited.com) [www.ddbunlimited.com](http://www.ddbunlimited.com)

### Features

15 Year Warranty

0.125" Aluminum Construction

Texture Cream Powder-Coat, Standard

Welded Corner Brackets Inside

Front and Rear Access Plate

Quick Shipping

### Application Types

Telecommunications

Wireless/Broadband

Fiber Optics

Back Haul

Public Safety

Utility

Base Station

Military

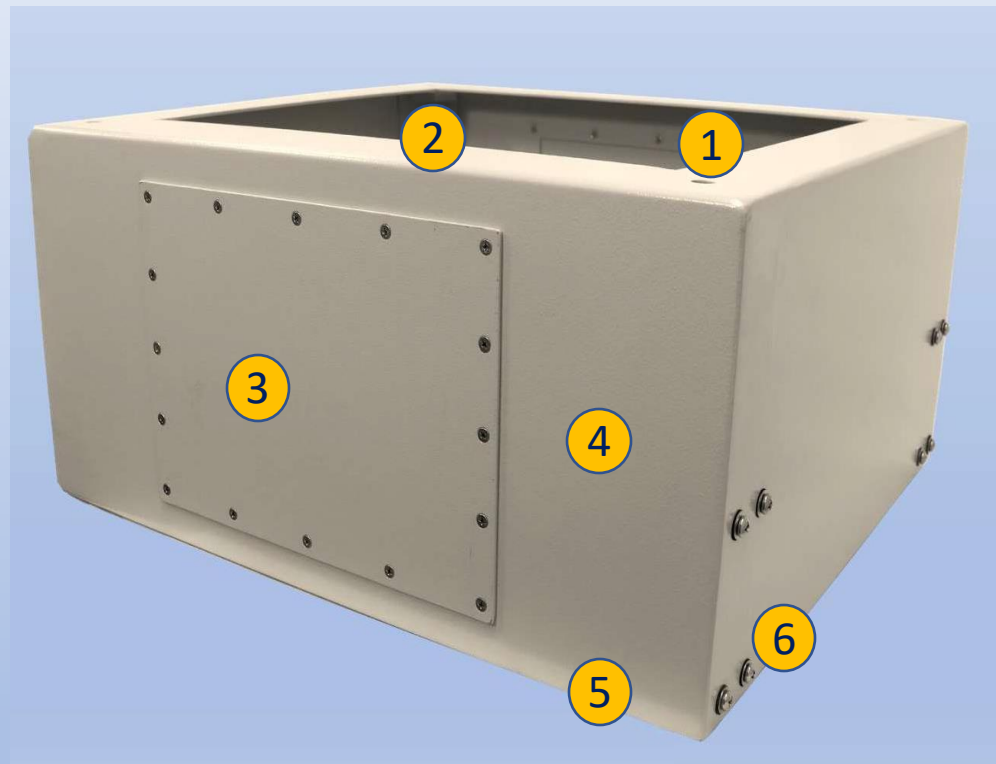
Trailer-Based Communications

Wi-Fi

LTEE/4G/5G

# Cabinet Bases

## CB Series



### Features

1. Threaded Mounting for ½" Bolts
2. Welded Corner Gussets for added support
3. Front and Rear Access Plate  
(For Units That Are 6" Tall Or Larger )
4. Power Coat Cream Textured Finish
5. Four Bottom Mounting Holes For Concrete Pad  
Installation (Not Shown In Picture See Drawings Below)
6. Mounting Option For Outside Mounting Feet

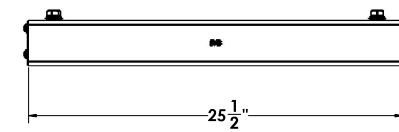
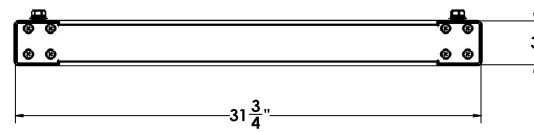
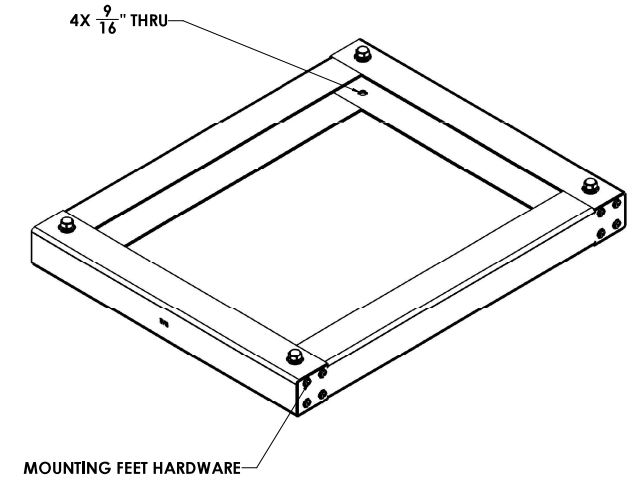
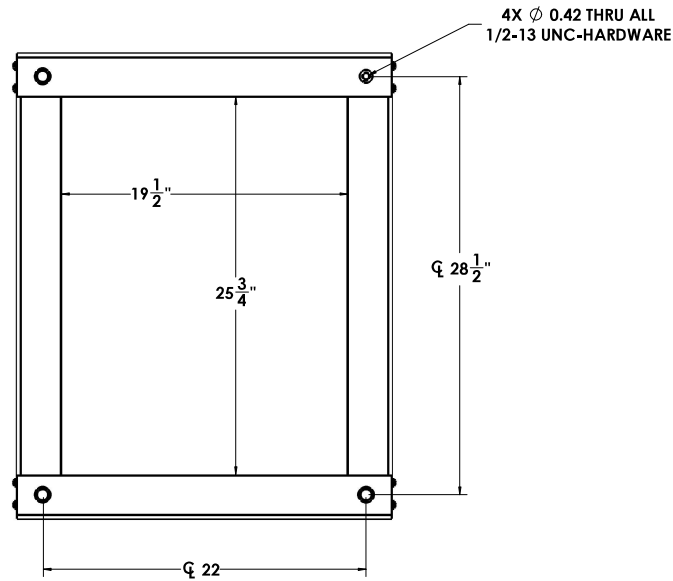
2301 S. HWY 77 Pauls Valley, OK 73075

T: (405)-665-2876

[sales@ddbunlimited.com](mailto:sales@ddbunlimited.com) [www.ddbunlimited.com](http://www.ddbunlimited.com)Scan this code for  
Accessories



REVISIONS		
REV.	DESCRIPTION	DATE
A	WEB DRAWING FOR OD-CB3-DD PER DR-02326	6/22/2020
B	UPDATING WITH NEW FORMAT.	7/28/2022

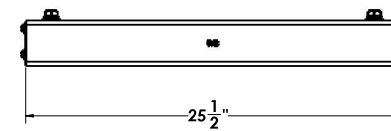
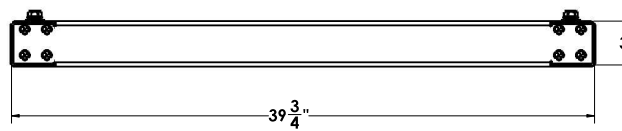
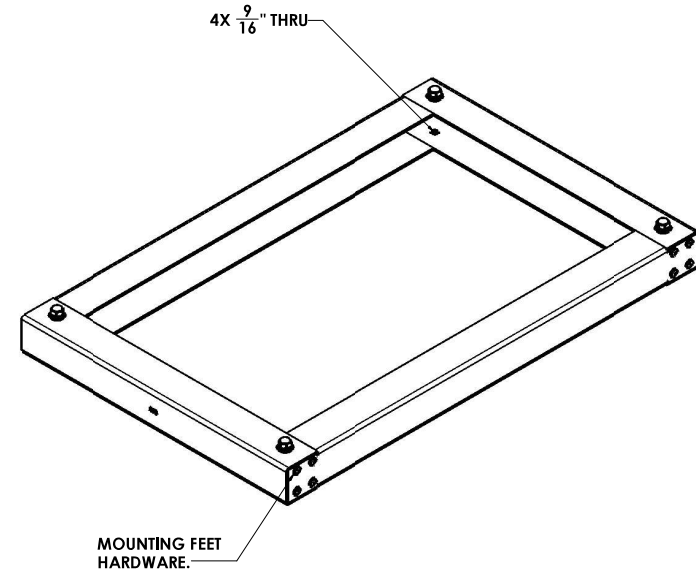
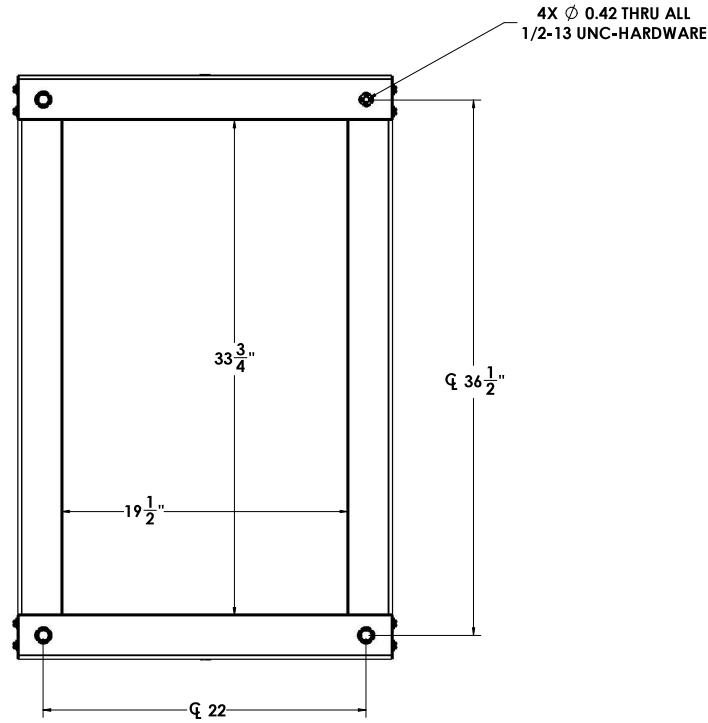


OD-CB3-DD

UNCLASSIFIED PUBLIC

DDB UNLIMITED INC. SYSTEMS		DDB Unlimited Inc.	
OPERATOR: MATHIAS		03-2) CB3-DD	
DATE: 06/22/2020	TIME: 11:00	REV:	REV:
DATE: 06/22/2020	TIME: 11:00	D	02326
DATE: 06/22/2020	TIME: 11:00	B	B
SCALE: 1:4		WEIGHT: 11 lbs.	SHEET 1 OF 1

REVISIONS		
REV.	DESCRIPTION	DATE
A	WEB DRAWING FOR OD-CB3-DDX PER DR-02328	6/23/2020
B	UPDATED FORMAT.	7/28/2022

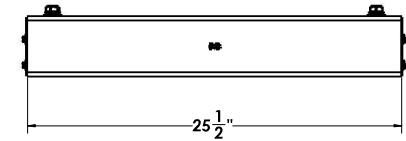
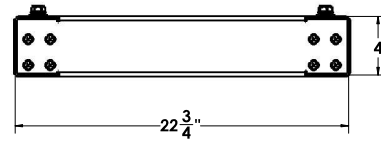
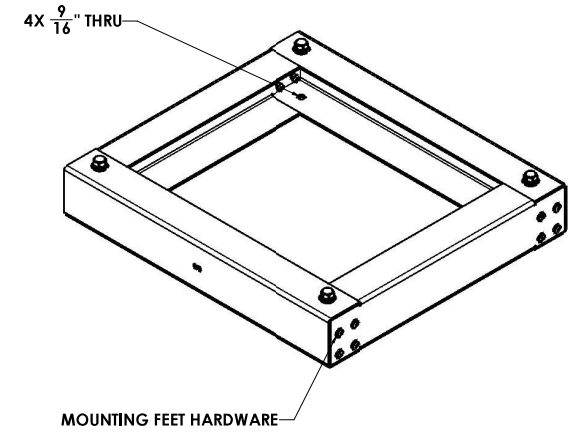
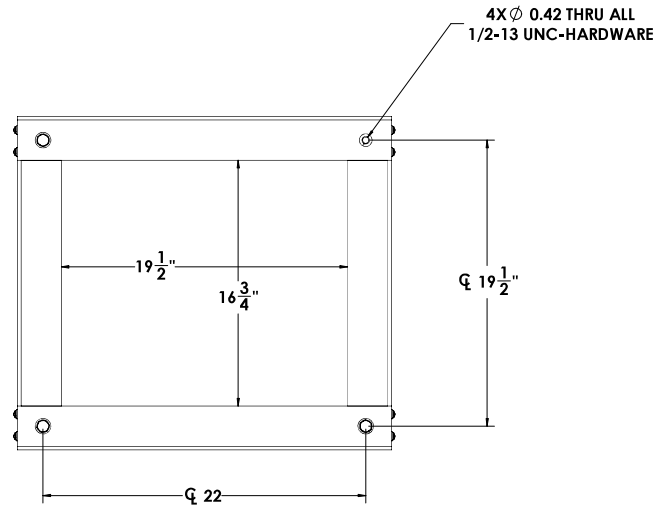


OD-CB3-DDX

UNCLASSIFIED PUBLIC

DDB UNLIMITED INC. SPECIFIED: QUANTITIES AND NOTES:		<b>DDB Unlimited Inc.</b>	
MODEL NO. NO. DEPT. 81 DATE OF ORDER 11/2022 ORDER NO. 02328 PART NO. 02328 ALL RIGHTS RESERVED		09-3) CB3-DDX	
REV.	Code Code:	DWG. NO.:	REV.
D	02328	02328	B
SCALE: 1:4		WEIGHT: 13 lbs.	SHEET 1 OF 1

REVISIONS		
REV.	DESCRIPTION	DATE
A	WEB DRAWING FOR OD-CB4-DX PER DR-02330	6/23/2020
B	UPDATED ALL FORMATS	8/22/2022

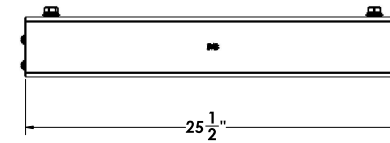
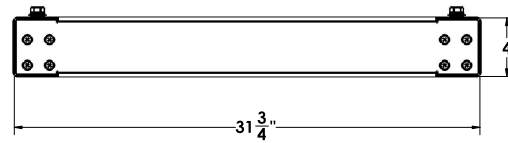
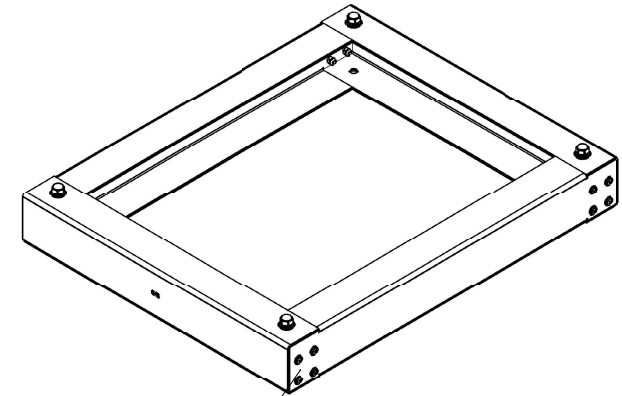
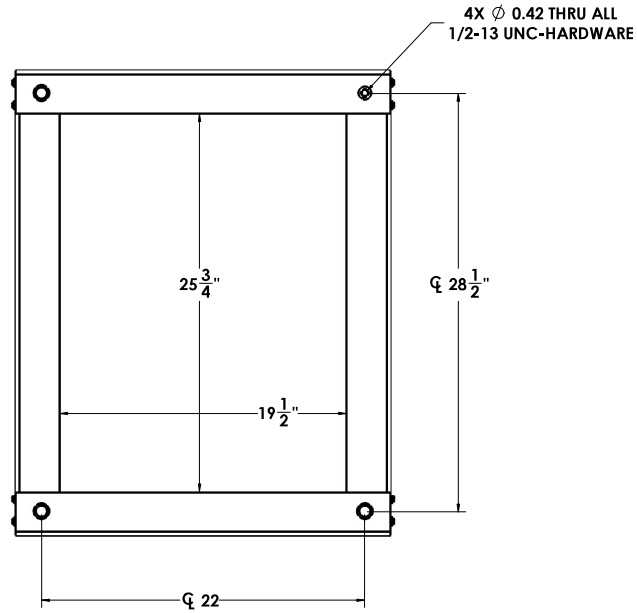


OD-CB4-DX

UNCLASSIFIED PUBLIC

DDB UNLIMITED INC. (DDB) (EPDM Vault)		DDB Unlimited Inc.	
04-1) CB4-DX		04-1) CB4-DX	
SHEET	Code Code:	DWG. NO.:	REV
D	28515	02330	B
SCALE: 1:4		WEIGHT: 11 lbs.	SHEET 1 OF 1

REVISIONS		
REV.	DESCRIPTION	DATE
A	WEB DRAWING FOR OD-CB4-DD PER DR-02329	6/23/2020



OD-CB4-DD

UNCLASSIFIED PUBLIC

DDB UNLIMITED INC. SPECIFICATIONS			
DDB UNLIMITED INC.			
04-2) CB4-DD			
REV.	Code Code:	DWG. NO.:	REV.
D	28515	02329	A
SCALE: 1:4		WEIGHT: 13 lbs.	SHEET 1 OF 1

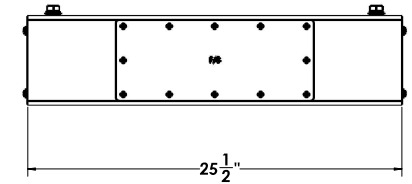
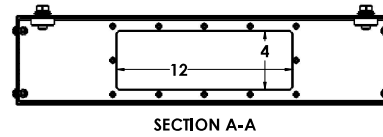
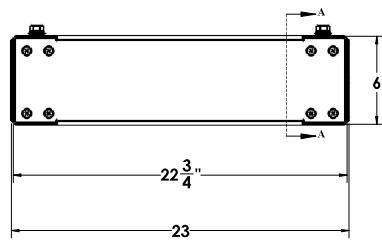
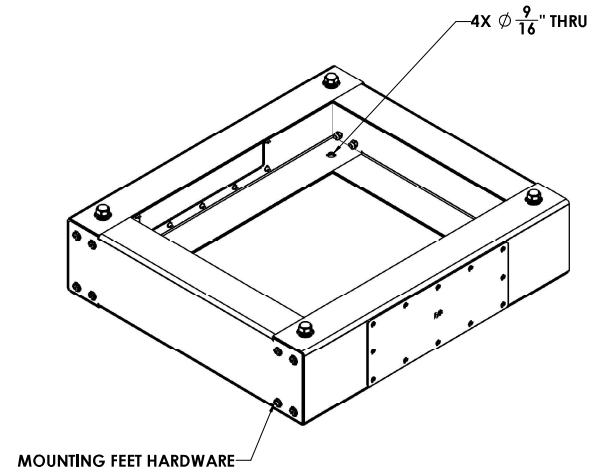
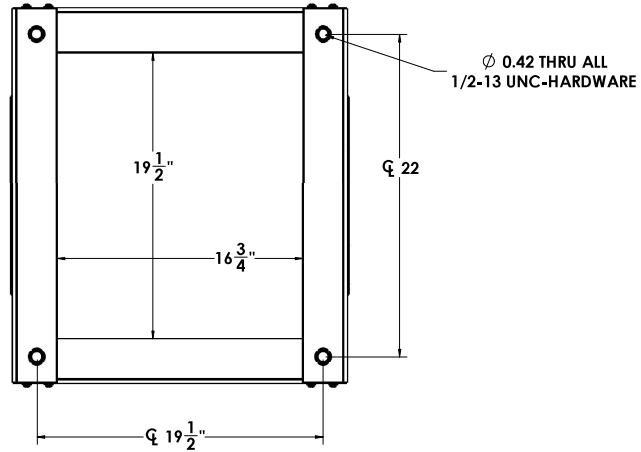
File Location: (DDB) EPDM Vault  
C:\DDB\DR Request\Customers\ODS WEB DWG\Issues\CB Family\OD-CB4-DD-02329-CB4-DD\

DDB FORM: 7-1-2 REV:K 08/02/17





REVISIONS		
REV.	DESCRIPTION	DATE
A	WEB DRAWING FOR OD-CB6-DX PER DR-02333	6/26/2020
B	UPDTD ALL FORMATS	8/19/2022



OD-CB6-DX

UNCLASSIFIED PUBLIC

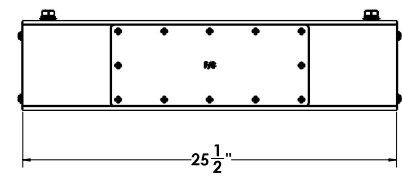
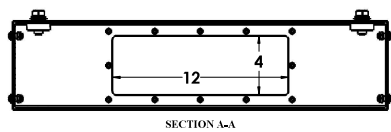
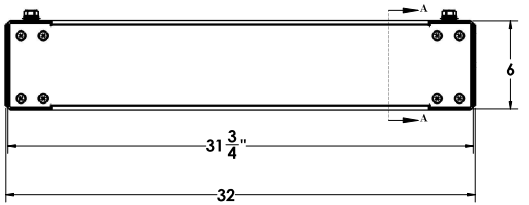
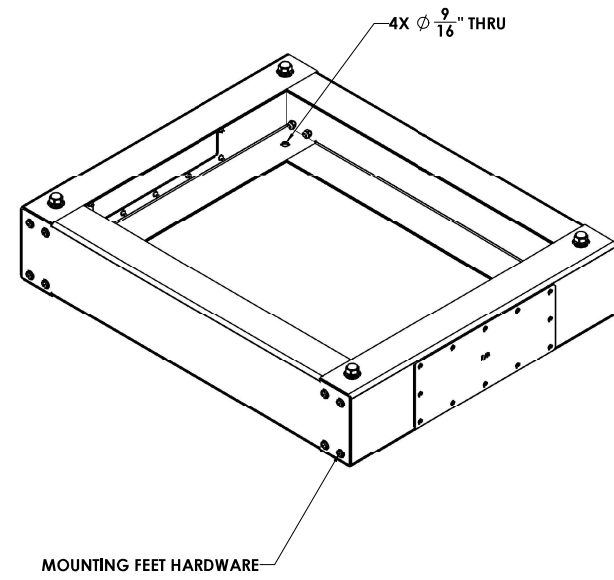
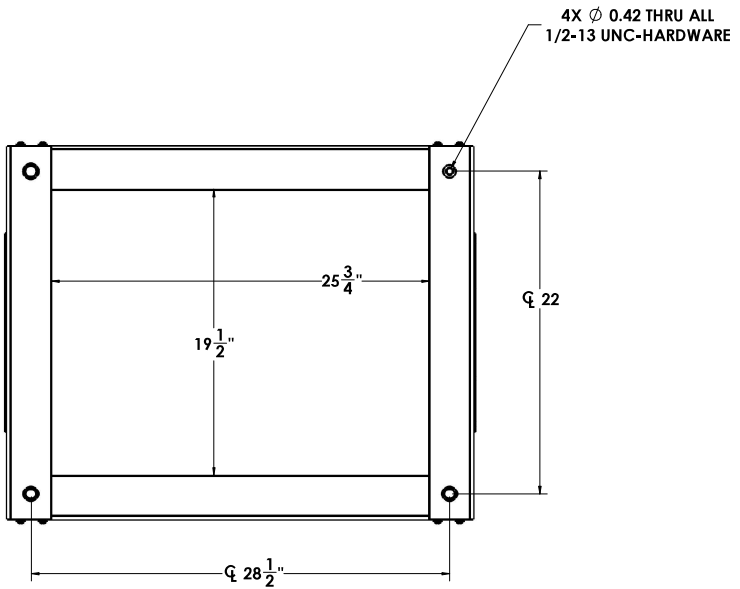
DDB Unlimited Inc.	
06-1) CB6-DX	
SHEET	Code Code: DWG. NO.: REV
D	28515 02333 B
SCALE: 1:4	WEIGHT: 14 lbs. SHEET 1 OF 1

DO NOT SCALE DRAWING

File Location: (DDB) (EPDM Vault)  
 C:\DDB\DR Requests\Customers\DDB WEB DWG Issues\CB6-DX\OD-CB6-DX-02333-CB6-DX

DDB FORM: 7-1-2-REV.K 08/02/17

REVISIONS		
REV.	DESCRIPTION	DATE
A	WEB DRAWING FOR OD-CB6-DD PER DR-02232	6/26/2020



OD-CB6-DD

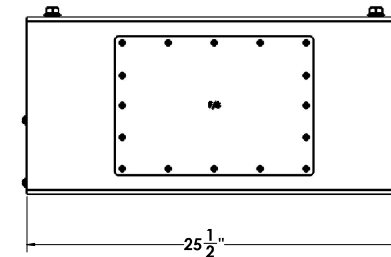
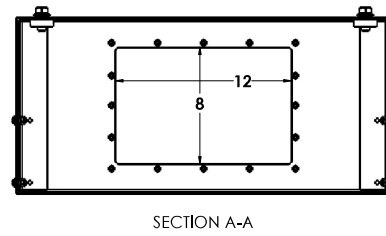
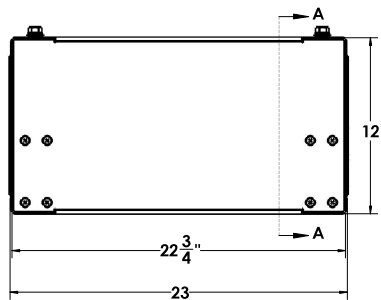
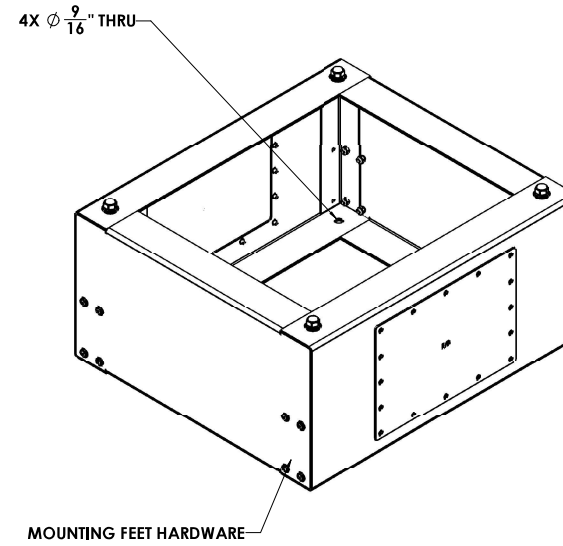
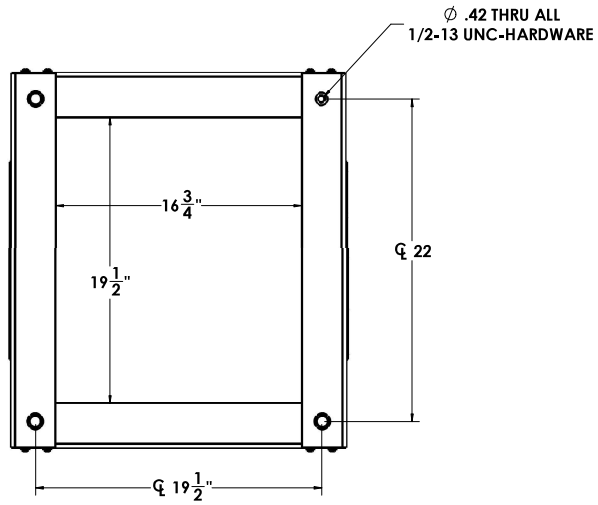
UNCLASSIFIED PUBLIC

DDB <i>Unlimited Inc.</i>	
04-2) CB6-DD	
REV	Code Code: DWG. NO.: REV
D	28515 02332 A
SCALE: 1:4   WEIGHT: 14 lbs.   SHEET 1 OF 1	

DDB <i>Unlimited Inc.</i>	
04-2) CB6-DD	
REV	Code Code: DWG. NO.: REV
D	28515 02332 A
SCALE: 1:4   WEIGHT: 14 lbs.   SHEET 1 OF 1	



REVISIONS		
REV.	DESCRIPTION	DATE
A	WEB DRAWING FOR OD-CB12-DX PER DR-02336	6/29/2020
B	UPDATED TO NEW FORMATS	7/28/2022



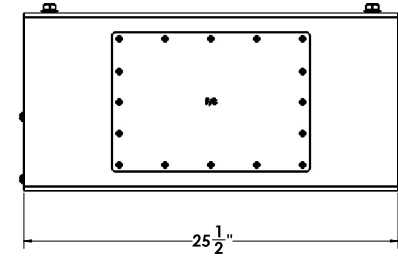
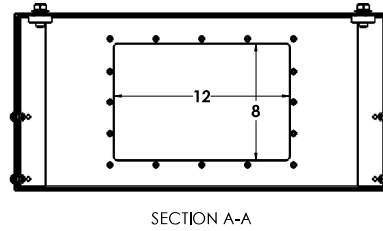
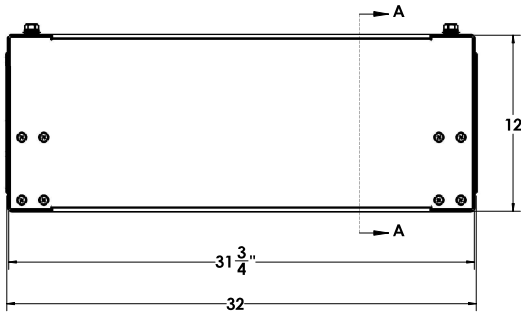
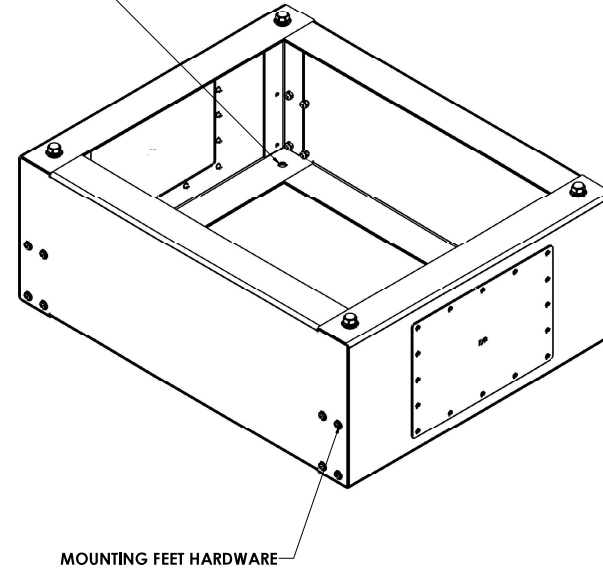
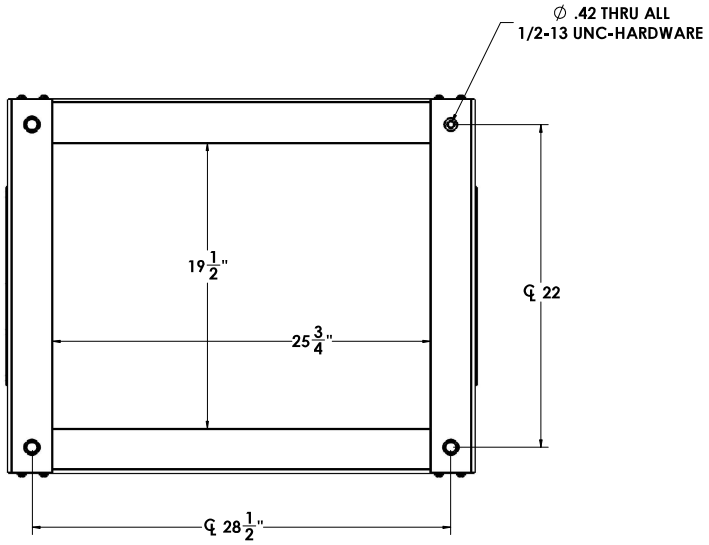
OD-CB12-DX

UNCLASSIFIED PUBLIC

DDB LIMITED SPECIFICATIONS		DDB Unlimited Inc.	
QUANTITIES SHOWN:		12x1) CB12-DX	
QUANTITY	NO. OF ITEMS	REV	
12	1	D	02336
TOLERANCES UNLESS OTHERWISE SPECIFIED:		SCALE: 1:4   WEIGHT 22 lbs.   SHEET 1 OF 1	
DIMENSIONS TO CENTER UNLESS OTHERWISE SPECIFIED			
FINISH: UNLESS OTHERWISE SPECIFIED			
DO NOT SCALE DRAWING			

DDB FORM 7-12 REV K 08/02/17

REVISIONS		
REV.	DESCRIPTION	DATE
A	WEB DRAWING FOR OD-CB12-DD PER DR-02335	6/30/2020

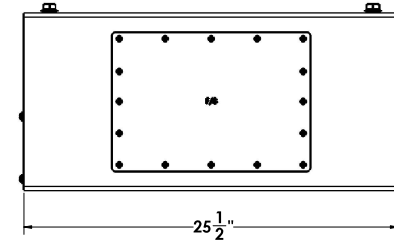
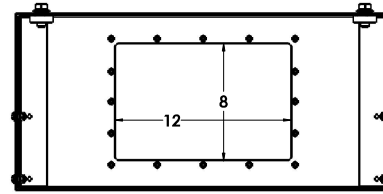
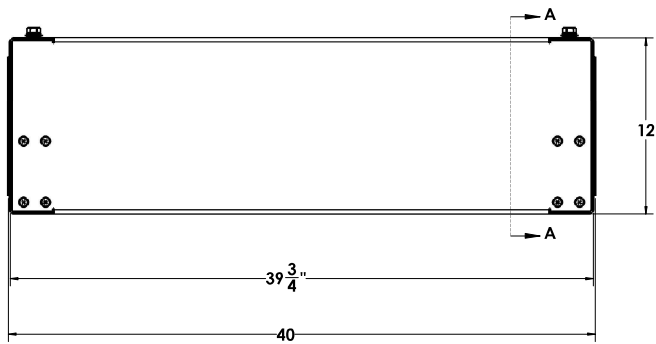
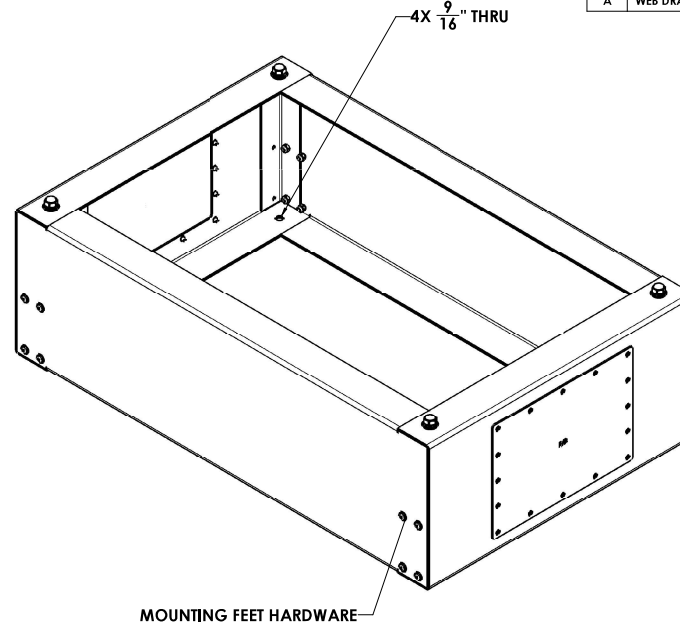
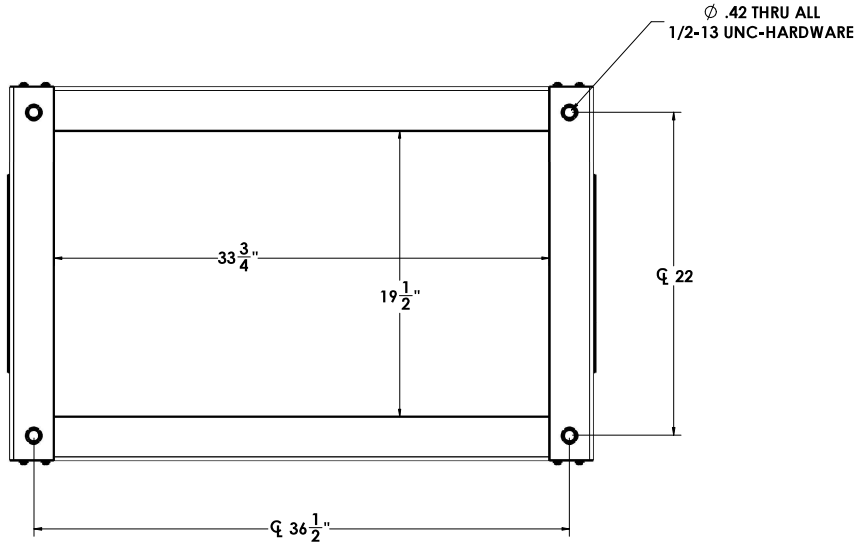


OD-CB12-DD

UNCLASSIFIED PUBLIC

DDB FORM 7-12-REV.K 08/02/17		<b>DDB Unlimited Inc.</b> 12-2) CB12-DD	
REV.	Cage Code:	DWG. NO.:	REV.
D	28515	02335	A
SCALE: 1:4		WEIGHT 28 lbs.	SHEET 1 OF 1

REVISIONS		
REV.	DESCRIPTION	DATE
A	WEB DRAWING FOR OD-CB12-DDX PER DR-02337	6/30/2020

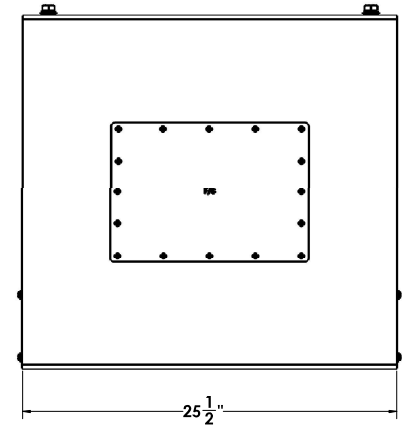
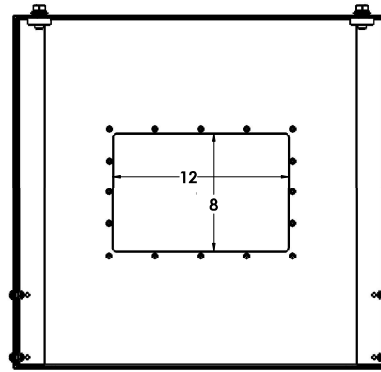
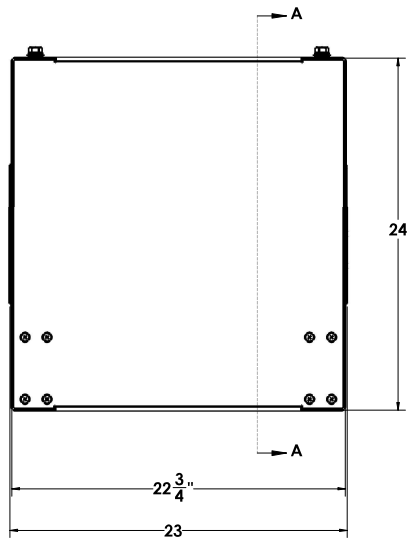
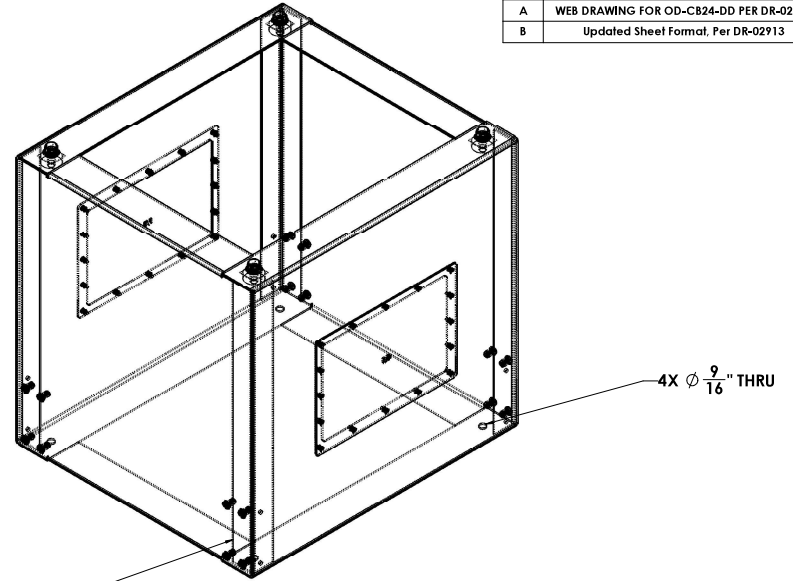
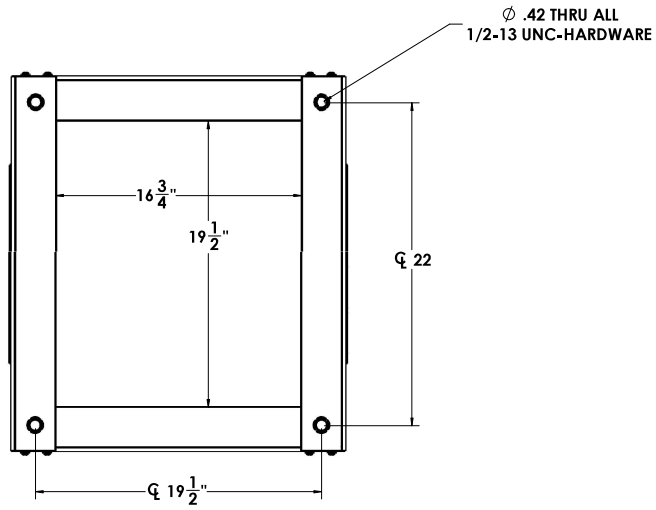


OD-CB12-DDX

UNCLASSIFIED PUBLIC

DDB LIMITED SYSTEMS: OPERATIONAL SERVICES			
1243) CB12-DDX			
REV.	Code Code:	DWG. NO.:	REV.
D	28515	02337	A
SCALE: 1:4		WEIGHT 29 lbs.	
SHEET 1 OF 1			

REVISIONS		
REV.	DESCRIPTION	DATE
A	WEB DRAWING FOR OD-CB24-DD PER DR-02339	6/30/2020
B	Updated Sheet Format, Per DR-02913	9/13/2024

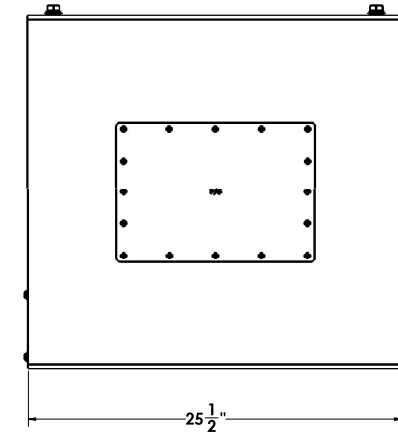
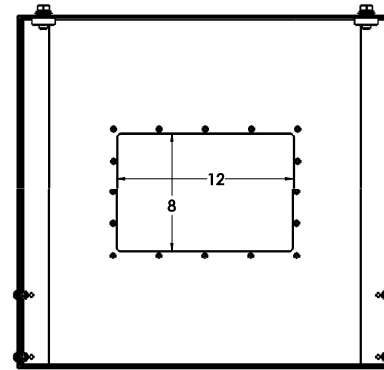
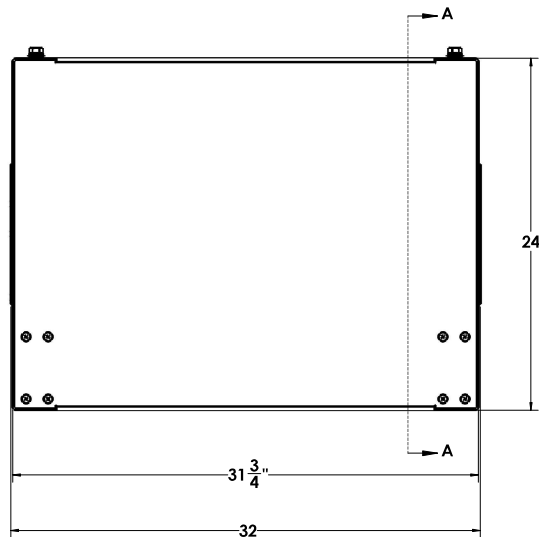
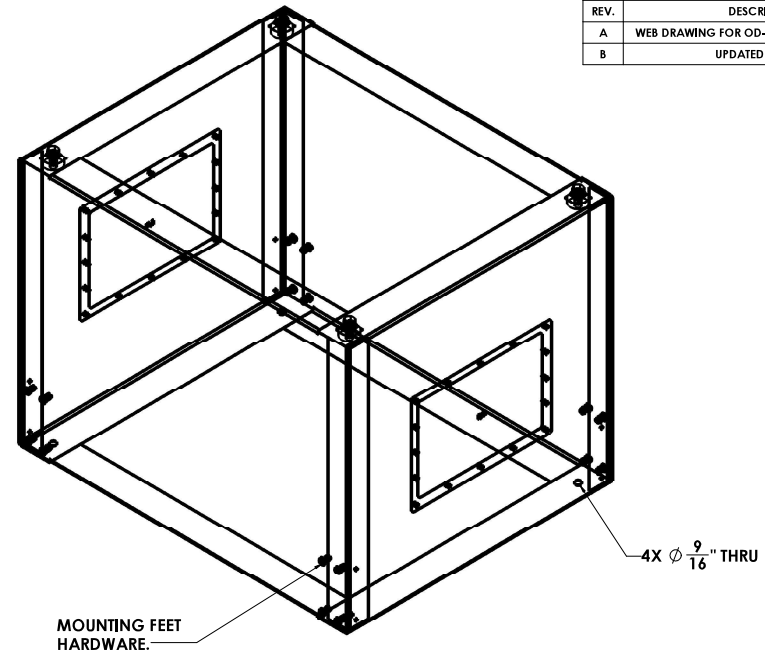
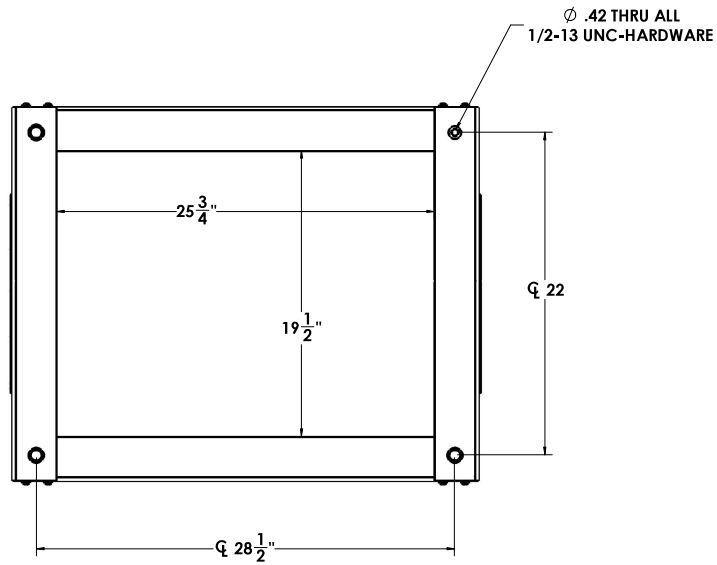


OD-CB24-DX

UNCLASSIFIED PUBLIC

SHEET CONTAINS SPECIFIED: QUANTITY: UNLIMITED MODEL NO. 24-1 ORDER NO. 02339 DATE OF ORDER: 06/30/2020 ALL RIGHTS ARE RESERVED		<b>DDB Unlimited Inc.</b> 24-1) CB24-DX	
REV.	Cage Code:	DWG. NO.:	REV.
D	28515	02339	B
SCALE: 1:4		WEIGHT: 34 lbs.	SHEET 1 OF 1

REVISIONS		
REV.	DESCRIPTION	DATE
A	WEB DRAWING FOR OD-CB24-DD PER DR-02338	7/1/2020
B	UPDATED FORMAT	8/22/2022



OD-CB24-DD

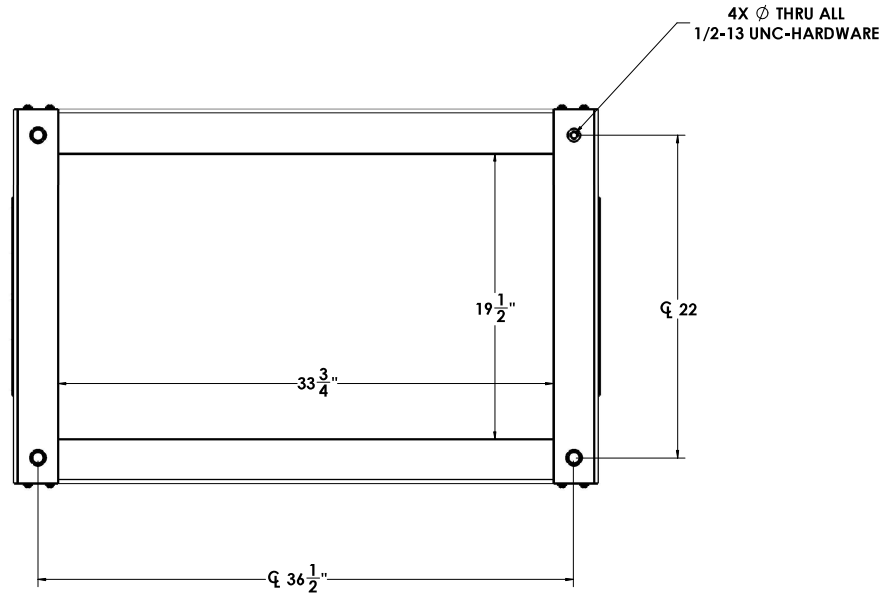
UNCLASSIFIED PUBLIC

DDB Unlimited Inc.			
24-2) CB24-DD			
REV	Code Code:	DWG. NO.:	REV
D	28515	02338	A
SCALE: 1:8		WEIGHT: 43 lbs.	SHEET 1 OF 1

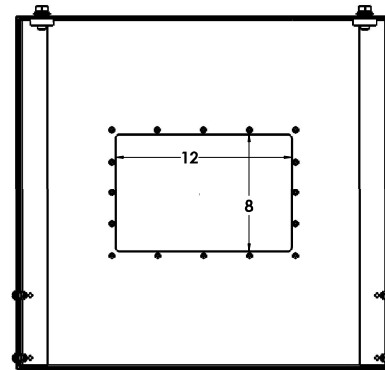
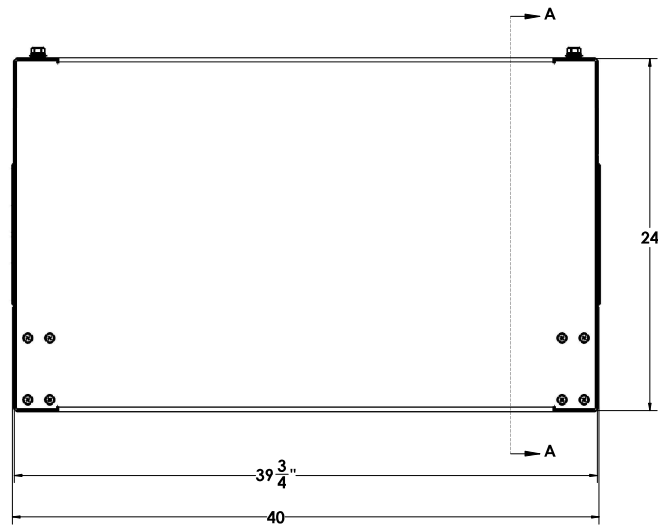
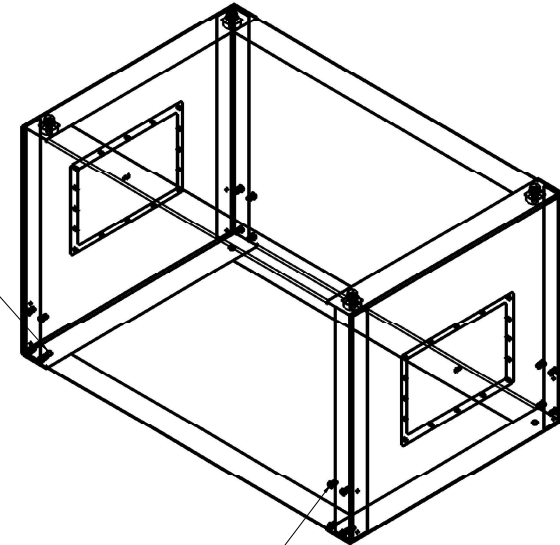
DDB FORM: 7-1-2-REV.K 08/02/17



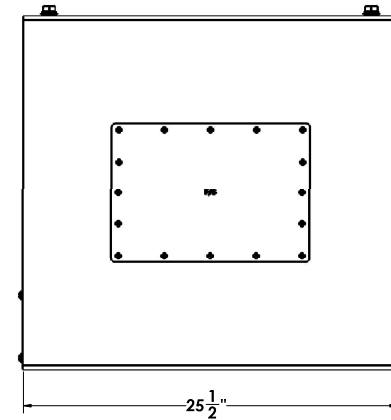
REVISIONS		
REV.	DESCRIPTION	DATE
A	WEB DRAWING FOR OD-CB24-DDX PER DR-02340	7/1/2020
B	UPDATED ALL FORMATS	8/15/2022



4X Ø 9/16" THRU



SECTION A-A  
SCALE 1 : 4



OD-CB24-DDX

UNCLASSIFIED PUBLIC

DDB Unlimited Inc.			
24-3) CB24-DDX			
REV.	Code Code:	DWG. NO.:	REV.
D	38515	02340	B
SCALE: 1:8		WEIGHT: 47 lbs.	SHEET 1 OF 1

DDB Unlimited Inc.	
24-3) CB24-DDX	
REV.	Code Code:
D	38515
SCALE: 1:8	
WEIGHT: 47 lbs.	
SHEET 1 OF 1	