

UL-50 OD SERIES

OD-50DXC-UL50

Why Choose the OD-UL Series?

The OD-50DXC-UL50 enclosures are the ultimate choice for your outdoor racking requirements. Being made of our own rugged Alumiflex®, you'll find it noticeably lighter than steel, yet strong enough to rack even the heaviest equipment. When choosing the OD-UL series, you have handpicked the highest value in American construction. The OD-UL series includes the standard features you have come to expect with DDB, incorporating the versatile R-strut system for adjustable racking, the security of a 3-point locking system, our patented Alumishield® solar cap to manage heat loads, door grounding strap, & UL listed gasketing. For those who need more than just our standard enclosure, DDB can also make a truly customized solution with our many available options including HVAC, providing a climate-controlled environment for any electronic equipment, electrical load panels and cable entry solutions to name a few. All of this comes together to create an enclosure able to meet all of the unique needs your customers have been seeking. DDB offers a state-of-the-art design, a competitive price, benchmark lead times and a guaranteed delivery, all backed up with an industry leading 15-year warranty on every enclosure. Put DDB's substantial stock to work for you today. Contact our professional staff to assist you with your made-to-order solution.

Application Types

- Telecommunications
- Wireless/Broadband
 - Fiber Optics
 - Back Haul
- Base Station
- Small Cell/ DAS
- Utility
- Public Safety
- Military
- Trailer-Based
- Communications
 - Wi-Fi
- Flexible and Scalable
 - LTEE/4G/5G
- Intelligent Traffic



Environmental & Safety Ratings:

- ✓ ETL environmentally listed to UL 50/50E, IP 66, Type 4
- ✓ ETL listed; Safety Requirements, UL 62368-1:2019 Ed.3, CSA C22.2



Features

- 15 Year Warranty
- 0.125" Aluminum Construction
- Welded Construction
- 3-Point Locking System
- Front and Rear Access
- Stainless Steel External Hardware/Hinge
- Custom Colors Available
- Water/Rain/Sleet/Dust Tight
- Flexible and Scalable
- Quick Shipping

Weight and Dimensions

Approximate Exterior Enclosure Dimensions:

51"H x 29"W x 30"D

Shipping Dimensions:

42"L x 35"W x 60"H- Palletized

Approximate Shipping Weight:

170 lbs.

UL-50 OD SERIES

OD-50DXC-UL50



Believing in American
Craftsmanship



Features

1. Alumishield Solar Cap
2. 19" Adjustable Racking Rails
3. Stainless Steel Door Hinge
4. Door Grounding Strap
5. 3-Point Locking System
6. 0.125" Aluminum Construction
7. Rear Door Access
8. Powder Coat Finish

2301 S. HWY 77 Pauls Valley, OK 73075

T: (405)-665-2876

sales@ddbunlimited.com www.ddbunlimited.com

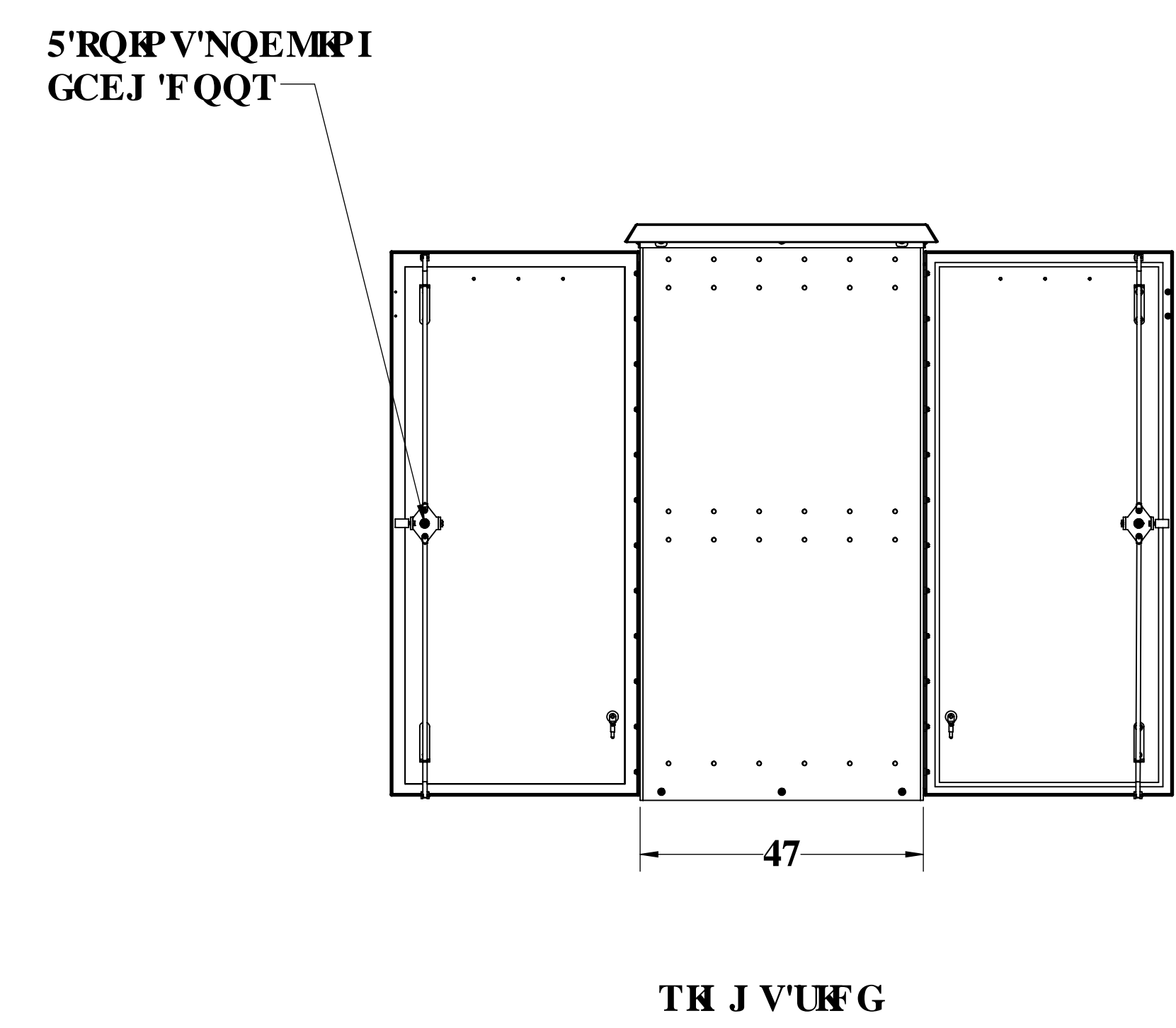
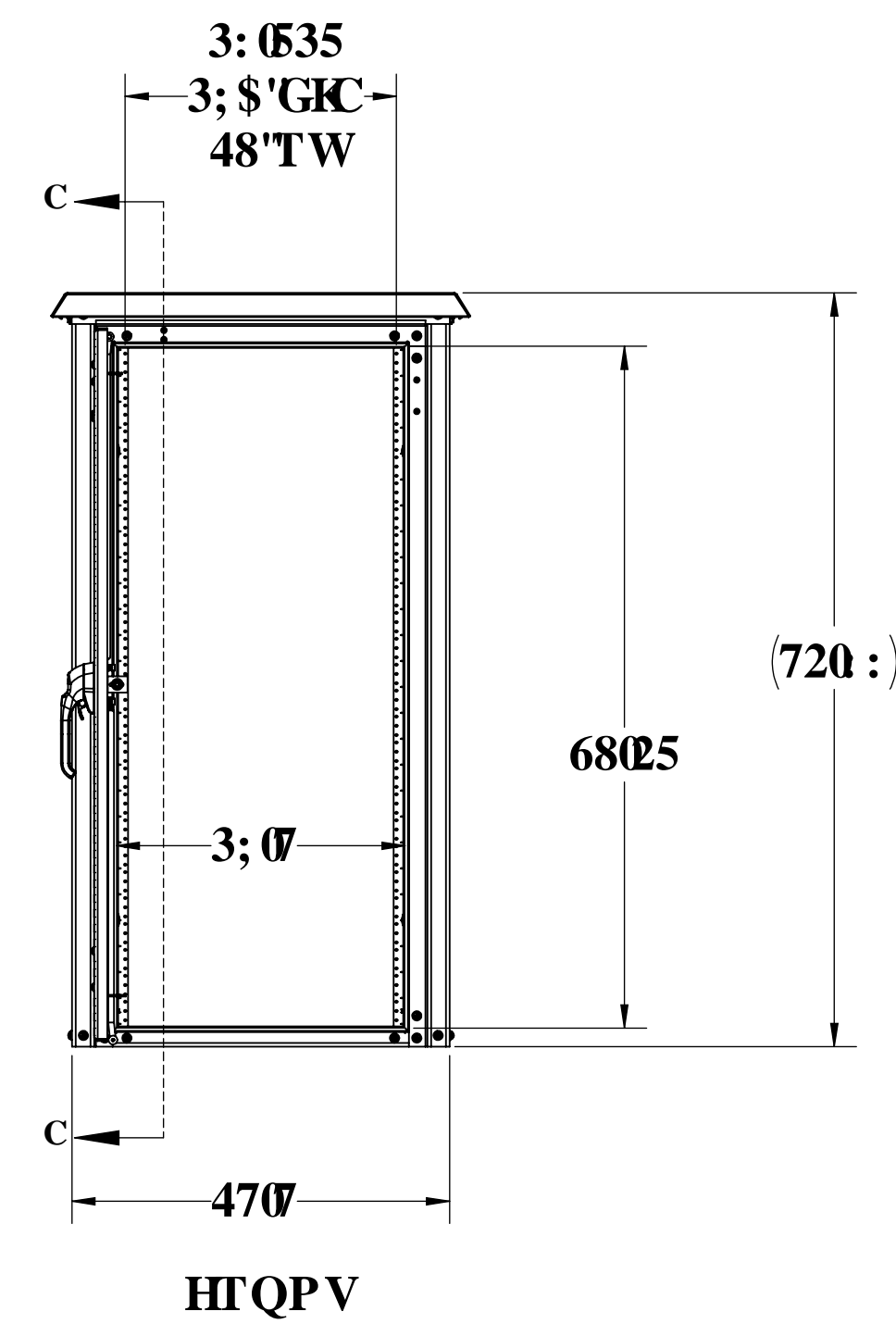
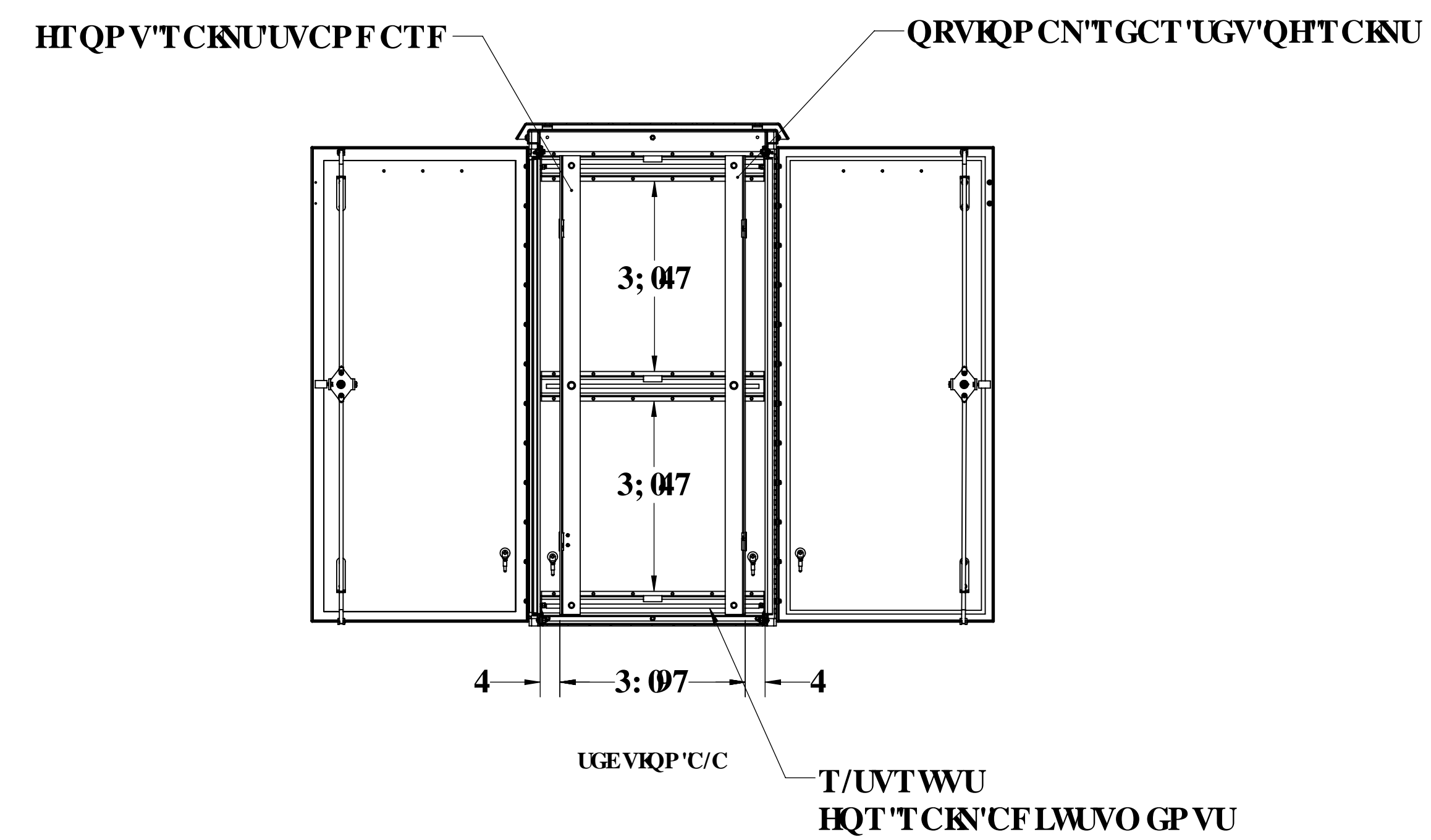
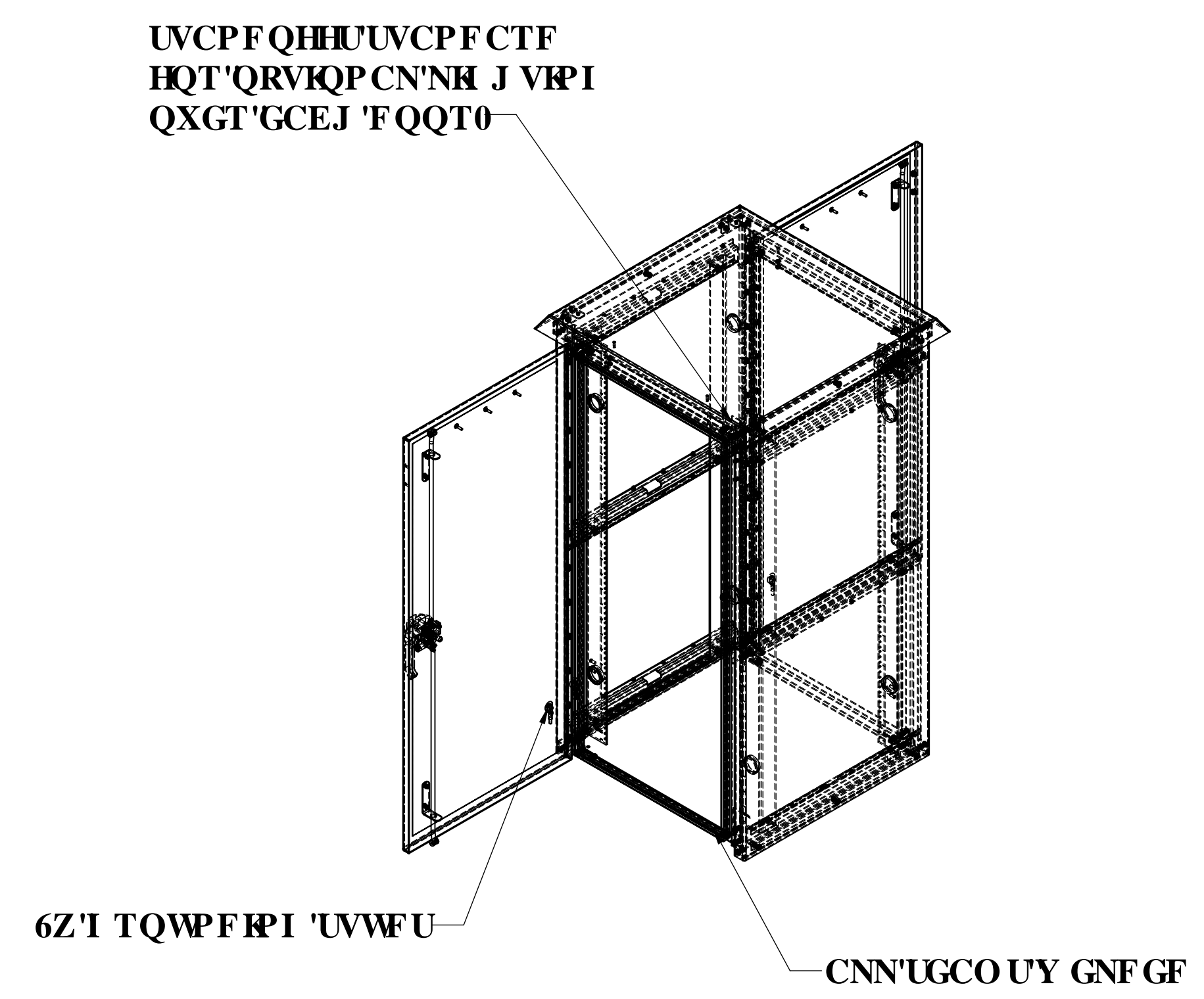
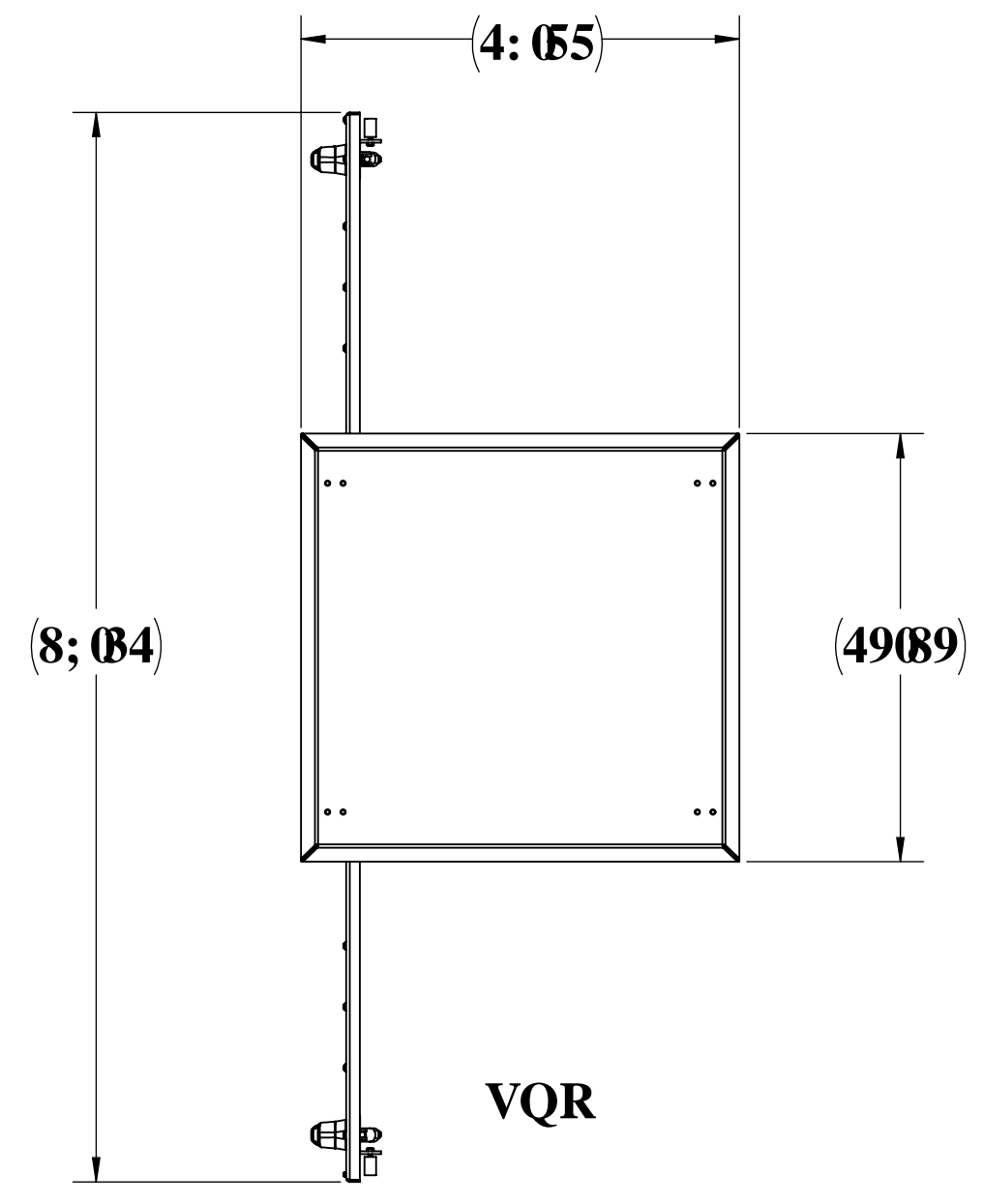
Scan this code for
Climate Control



Scan this code for
Accessories



TGXHQPU		
TGX0	FGUETRVIQP	FCVG
C	ETGCVGF'Y GDUS'G'FTCY R'P I 'HQT'QF/72FZ/ VN72'RGT'FT/23: 6;	; 48H23:
D	WRF CVGF'UI GGV'HQTO CV	5E2H244



I B'96GCH'9K-09'077 ± 98.		8861 b'p JYX-bW	
8A'WOCBDSV'4-07-00		C81) SBL11 @ S	
8B: L'8F:	757'N'ES'88C'07' A 50 : 1'300 S	GNP	7U[Y 7cXY. BK: "BC". F9J
8C: 8E7'089' A 50 : 1'300 S	8D: 8E7'089' A 50 : 1'300 S	8	'.)M \$% (- 6
8E: 8E7'089' A 50 : 1'300 S	8F: 8E7'089' A 50 : 1'300 S	G7 50% %%% K 9: <H'%%& Vg' G-99%K: "	
8G: 8E7'089' A 50 : 1'300 S			
8H: 8E7'089' A 50 : 1'300 S			
8I: 8E7'089' A 50 : 1'300 S			
8J: 8E7'089' A 50 : 1'300 S			
8K: 8E7'089' A 50 : 1'300 S			
8L: 8E7'089' A 50 : 1'300 S			
8M: 8E7'089' A 50 : 1'300 S			
8N: 8E7'089' A 50 : 1'300 S			
8O: 8E7'089' A 50 : 1'300 S			
8P: 8E7'089' A 50 : 1'300 S			
8Q: 8E7'089' A 50 : 1'300 S			
8R: 8E7'089' A 50 : 1'300 S			
8S: 8E7'089' A 50 : 1'300 S			
8T: 8E7'089' A 50 : 1'300 S			
8U: 8E7'089' A 50 : 1'300 S			
8V: 8E7'089' A 50 : 1'300 S			
8W: 8E7'089' A 50 : 1'300 S			
8X: 8E7'089' A 50 : 1'300 S			
8Y: 8E7'089' A 50 : 1'300 S			
8Z: 8E7'089' A 50 : 1'300 S			

I B' 65GG±-98' D' 607

6Z" $\frac{7}{54}$ \$
GVEJ RPI

44
HNQQT'GVEJ RPI

3; $\frac{3}{4}$ \$
HNQQT'GVEJ RPI

3: $\frac{07}{1}$
TCK'VQ'TCK

4208

4; $\frac{7}{1}$ \$

45 $\frac{7}{1}$ \$
T/UVTW'VQ'T/UVTW

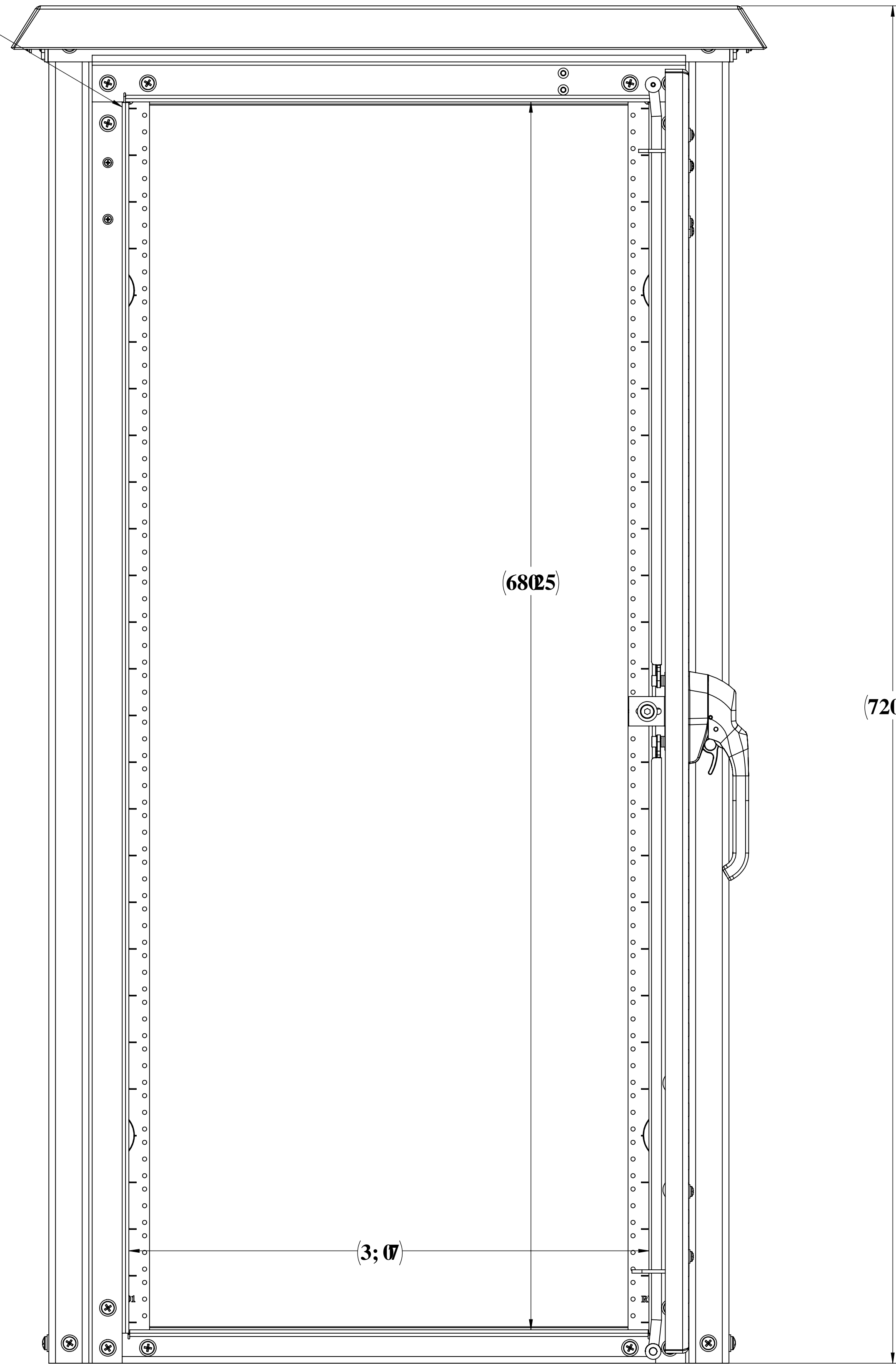
(408)

VQR'XIGY 'EGKNRPI 'CPF'CNWO CUI KGNF'PQV'UJ QY P

I B 8000CH 9FK 090077 ± 98.			
BA 80000SPV 07-07			
SD : LBF : 157			
T57HESMBC 007 A SE 1570 S			
C00007007 A SE : 1570 S			
K C 007 007 A SE : 1570 S			
H 00007007 A SE : 1570 S			
SMB: 00001570 S 10"			
A 5HF-5@) \$ 2' 2' \$ 5% 5GA 665-1S(8861 b'a JYX-bW	
D5-BH 85ACB7C: 0000 9' 8000LH 9991" 85		C818L17 cgX	
BC BCHG7 5@98F5K-B:		GNP	7U[Y 7cXY. BK; "BC". F9J
		B	'.)M \$% (- 6
		G7 5@: %%	K 9: <H, +Vg' G-998C: "

I B7 @5GG±-98'DI 6@7

FQQT'I CUMGV'J FFFGP



DCEMXIGY

I B96CCH9FK 09077 ± 98		8861 b'p JYX-bW	
BA 96CCH9FK 09077 ± 98		CB1) SBL11 @ S	
SD : 1.8F	757MESHMC 097 A 50 : 1.700 S	GNP	7U[Y7cXY. BK ; "BC". F9J
CDPBE7009 A 50 : 1.700 S	K C D67 909 A 50 : 1.700 S	8	'.)M \$% (- 6
H F9090 909 A 50 : 1.700 S	50M: C8G155E 10"	G7 50% %K 9: <H%& Vg' G-994 C. "	
A 5HF-5@) S) & S% 5GA 665-1S(
D6-BH 86ACB7C: 0809 9: 4009LH F991" 85			
BC BCHG7 5@98F5K-B:			

I B7 @GG±-98'DI 6@7