

UL-50 OD SERIES

OD-62DXC-UL50

Why Choose the OD-UL Series?

The OD-62DXC-UL50 enclosures are the ultimate choice for your outdoor racking requirements. Being made of our own rugged Alumiflex®, you'll find it noticeably lighter than steel, yet strong enough to rack even the heaviest equipment. When choosing the OD-UL series, you have handpicked the highest value in American construction. The OD-UL series includes the standard features you have come to expect with DDB, incorporating the versatile R-strut system for adjustable racking, the security of a 3-point locking system, our patented Alumishield® solar cap to manage heat loads, door grounding strap, & UL listed gasketing. For those who need more than just our standard enclosure, DDB can also make a truly customized solution with our many available options including HVAC, providing a climate-controlled environment for any electronic equipment, electrical load panels and cable entry solutions to name a few. All of this comes together to create an enclosure able to meet all of the unique needs your customers have been seeking. DDB offers a state-of-the-art design, a competitive price, benchmark lead times and a guaranteed delivery, all backed up with an industry leading 15-year warranty on every enclosure. Put DDB's substantial stock to work for you today. Contact our professional staff to assist you with your made-to-order solution.

Application Types

- Telecommunications
- Wireless/Broadband
 - Fiber Optics
 - Back Haul
 - Base Station
- Small Cell/ DAS
- Utility
- Public Safety
- Military
- Trailer-Based
- Communications
 - Wi-Fi
- Flexible and Scalable
 - LTEE/4G/5G
- Intelligent Traffic



Environmental & Safety Ratings:

- ✓ ETL environmentally listed to UL 50/50E, IP 66, Type 4
- ✓ ETL listed; Safety Requirements, UL 62368-1:2019 Ed.3, CSA C22.2



Features

- 15 Year Warranty
- 0.125" Aluminum Construction
- Welded Construction
- 3-Point Locking System
- Front and Rear Access
- Stainless Steel External Hardware/Hinge
- Custom Colors Available
- Water/Rain/Sleet/Dust Tight
- Flexible and Scalable
- Quick Shipping

Weight and Dimensions

- Approximate Exterior Enclosure Dimensions:
 - 64"H x 29"W x 30"D
- Shipping Dimensions:
 - 42"L x 32"W x 72"H- Palletized
- Approximate Shipping Weight:
 - 184 lbs.

UL-50 OD SERIES

OD-62DDC-UL50



Features

1. Alumishield Solar Cap
2. 19" Adjustable Racking Rails
3. Stainless Steel Door Hinge
4. Door Grounding Strap
5. 3-Point Locking System
6. 0.125" Aluminum Construction
7. Rear Door Access
8. Powder Coat Finish

2301 S. HWY 77 Pauls Valley, OK 73075

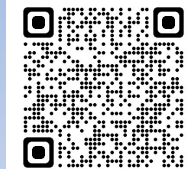
T: (405)-665-2876

sales@ddbunlimited.com www.ddbunlimited.com

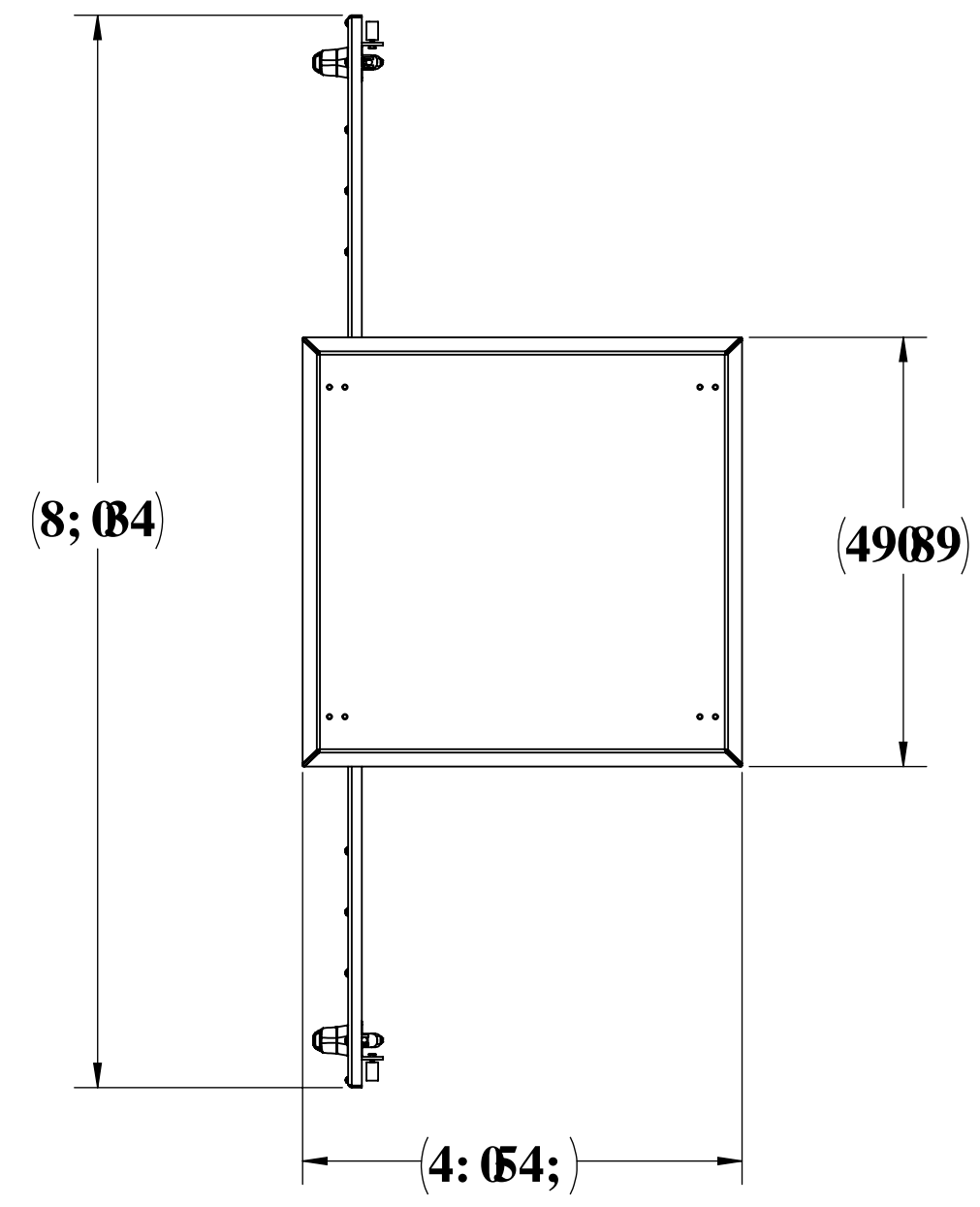
Scan this code for
Climate Control



Scan this code for
Accessories

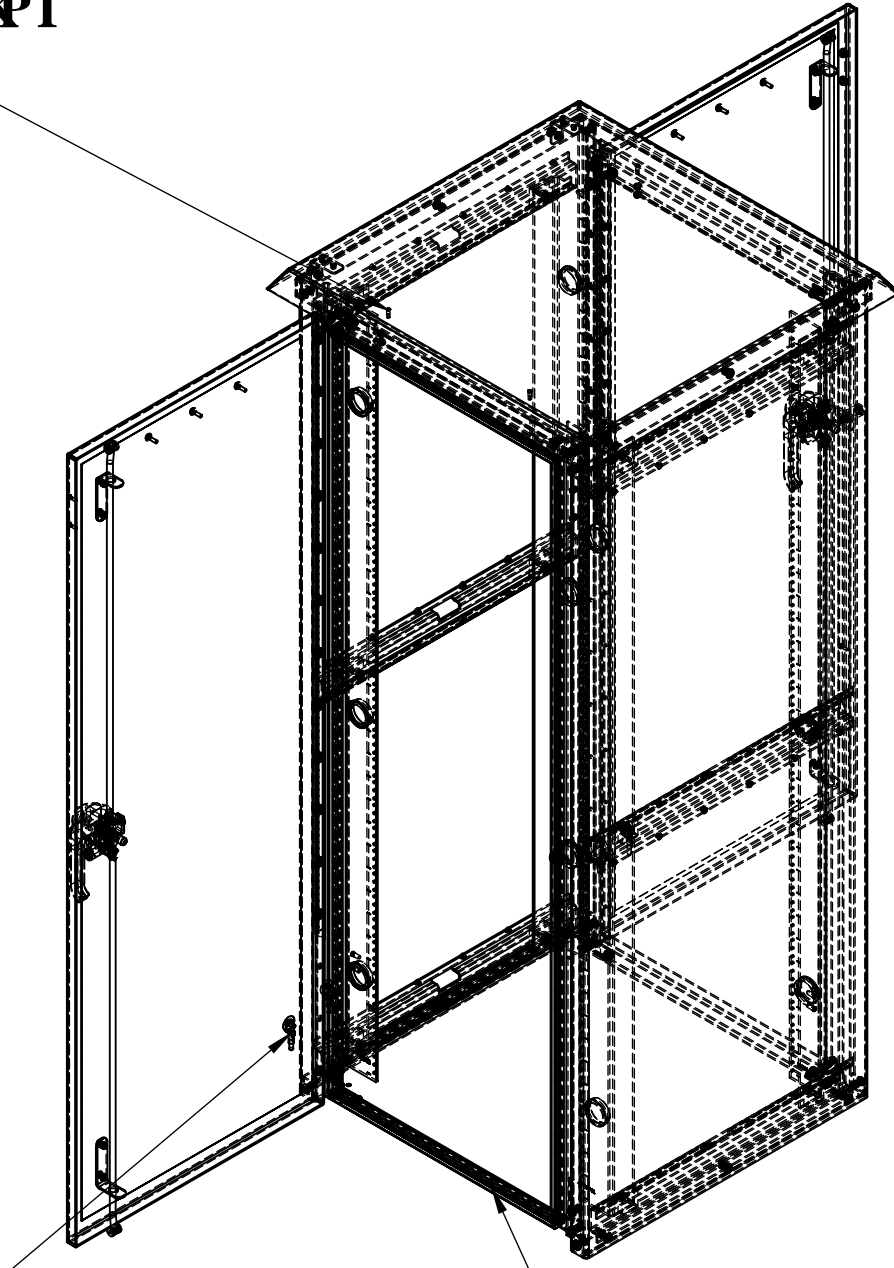


TGXHQPU		
TGX0	FGUETRVIQP	FCVG
C	ETGCVGF'Y GDUN/G'FTCY RPI 'HQT'QF/84FZ/WN72" RGT'FT/23:74	; H9 H23:
D	WRFCVGF'UJ GGV'HQTO CV	6B6H244



VQR

UVC PF QHHU'VCPF CTF
HQT'QRVIQPCN'NH J VPI
QXGT'GCEJ 'FQQT

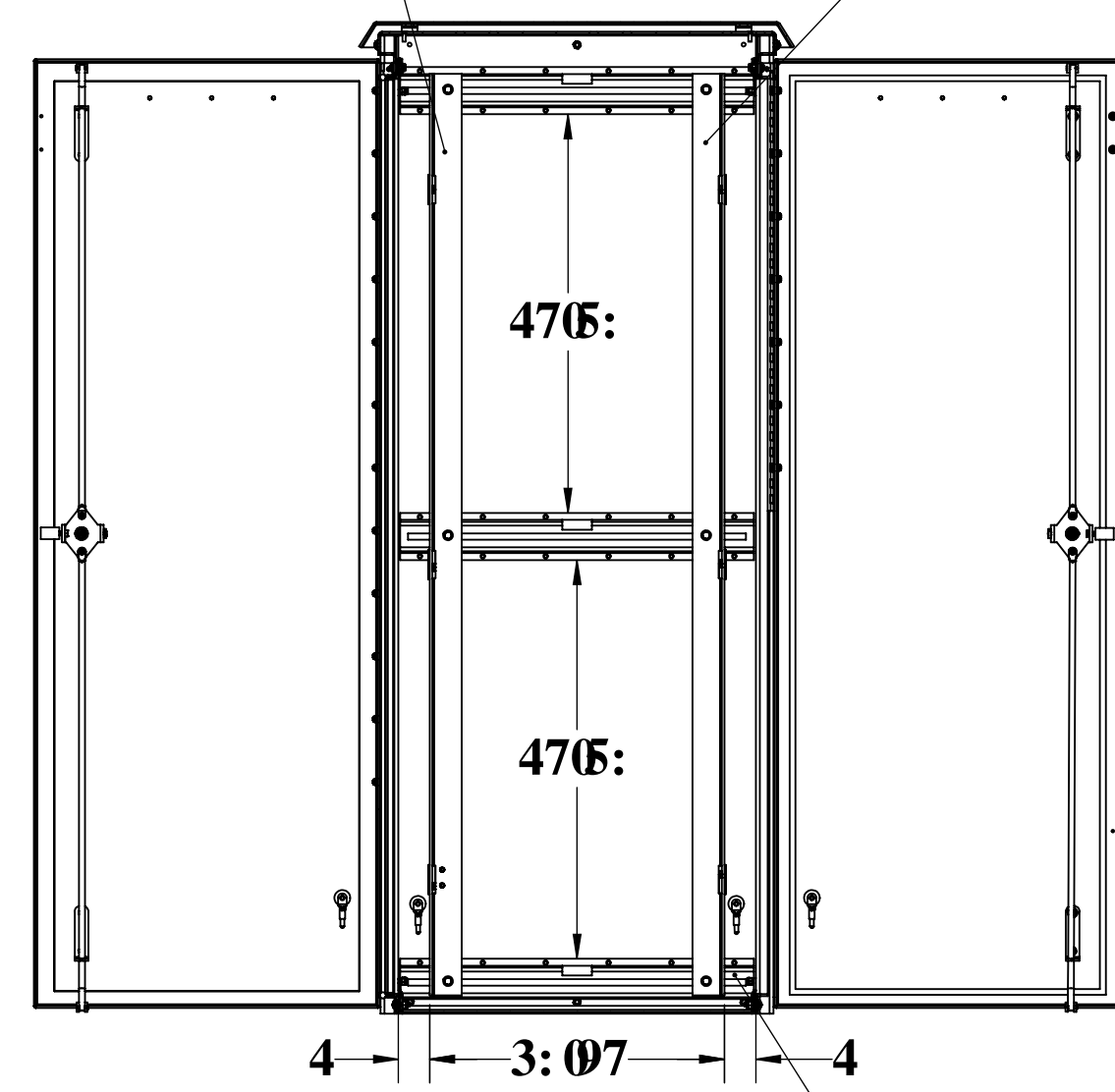


6Z'I TQWPFPI
UVWFU

CNN'UGCO UY GNF GF

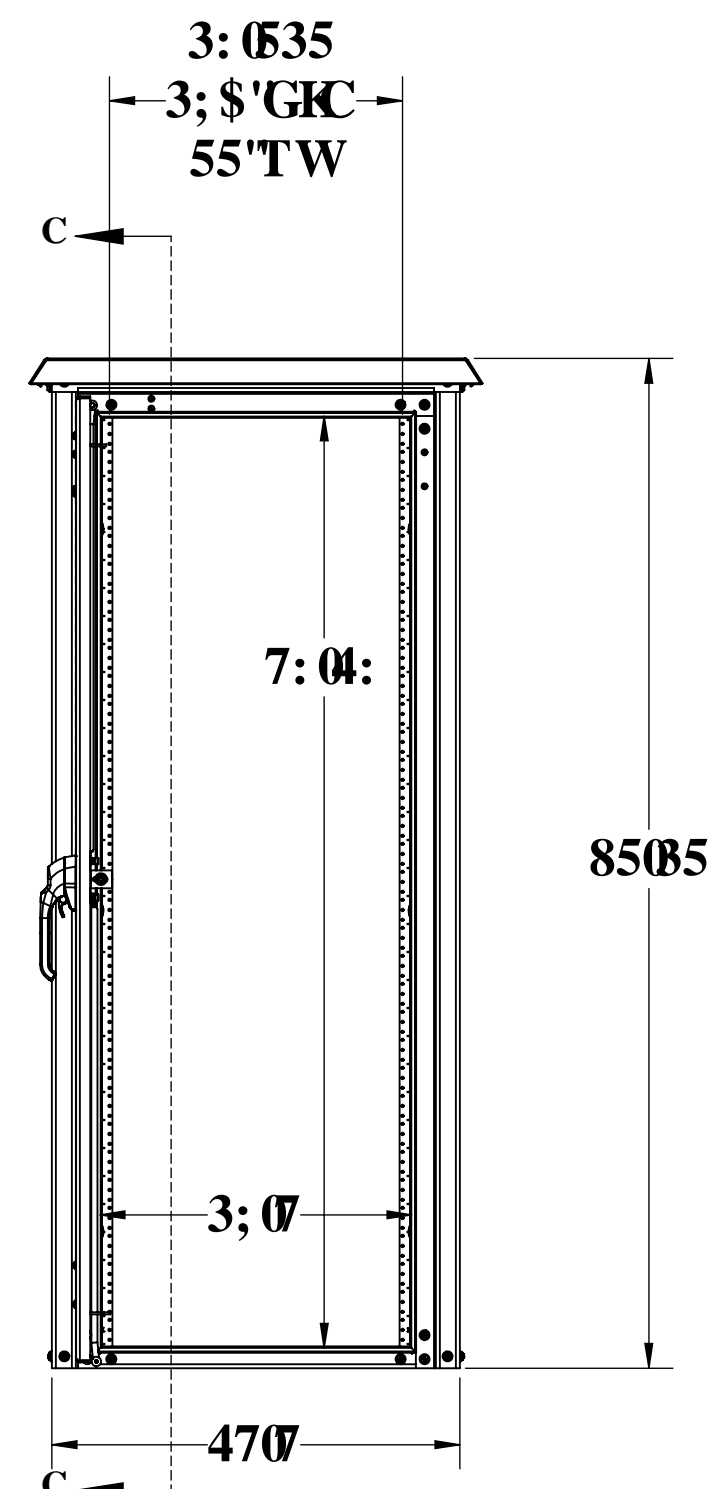
HIQP V'TCK'UVC PF CTF

TGCT'TCK'QRVIQPCN



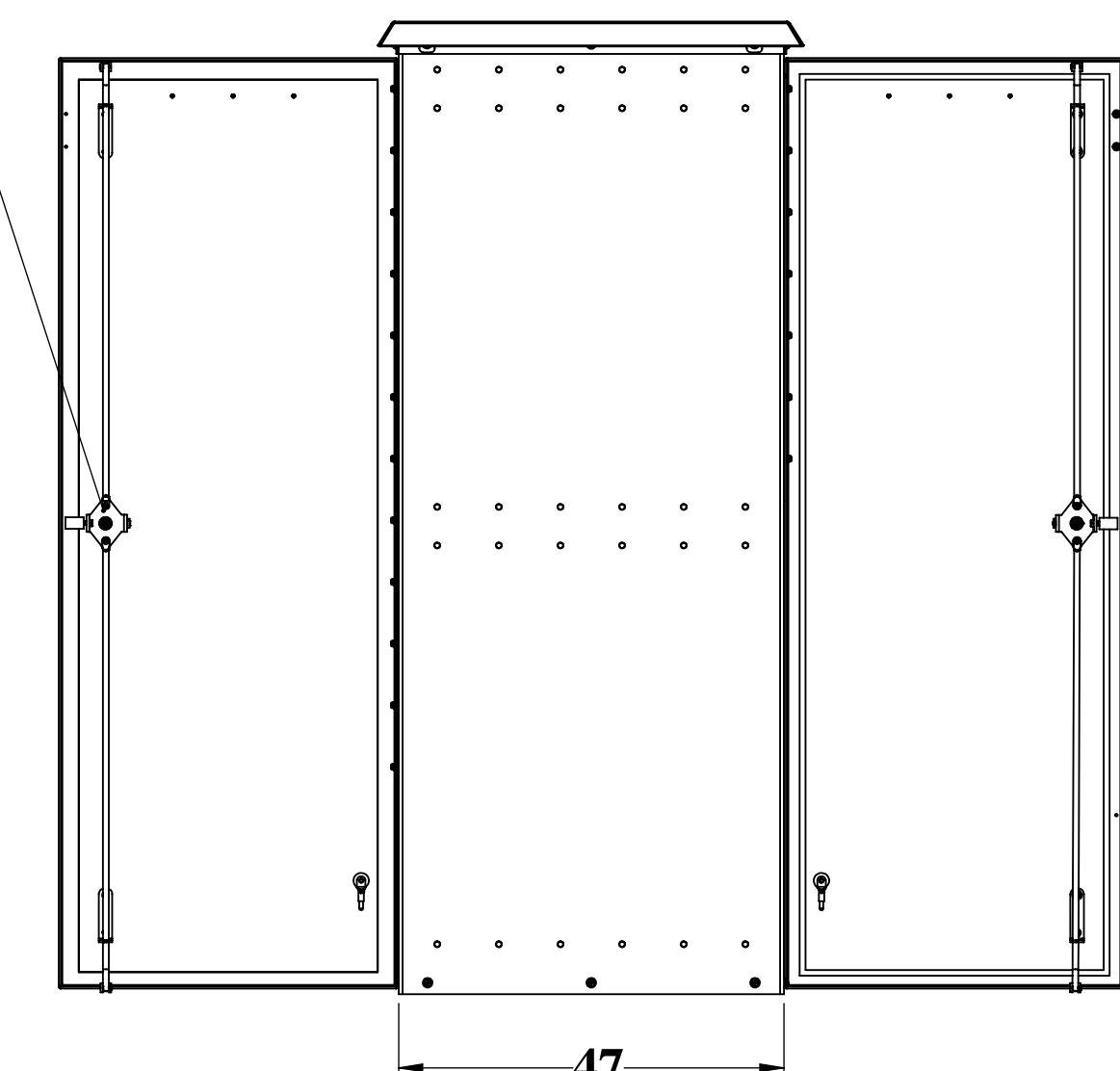
UGEVIQP'C/C

T/UVTWU
HQT'TCK'CF LWUVO GPVU



HIQP V

5'RQP V'NQEMRPI
GCEJ 'FQQT



TH J V'UFG

I B7CGG-98 DI 6@7		8861 b'p JYX-bW	
BA'WOCBSPV@-07-00		CB' & BLII @ S	
SB: 1.8F	757MCSMBC 007 A 50	GNP	7U[Y 7cXY.
CSQBE'Y007 A 50	1:300 S	8	' ,) M
K C D07'007 A 50	1:300 S		\$%) &
H4'007'007 A 50	1:300 S		6
50M:CGM:1530 10"			G7 5@: %%% K 9: <H%(' Vg'
A 5HF-5@) \$) & ' 21 \$% 5GA 605-1S(G-99M'C: "
D5-BH 85ACB7C: 0800 9' 4008LH P9H' 85			
BC BCHG7 5@98F5K-B:			

6Z' 7/54 \$
GVEJ RPI

N 44
HNQQT'GVEJ RPI

4; 7/5 \$

N 3; 0
HNQQT'GVEJ RPI

4208

3: 07
TCK'VQ'TCK

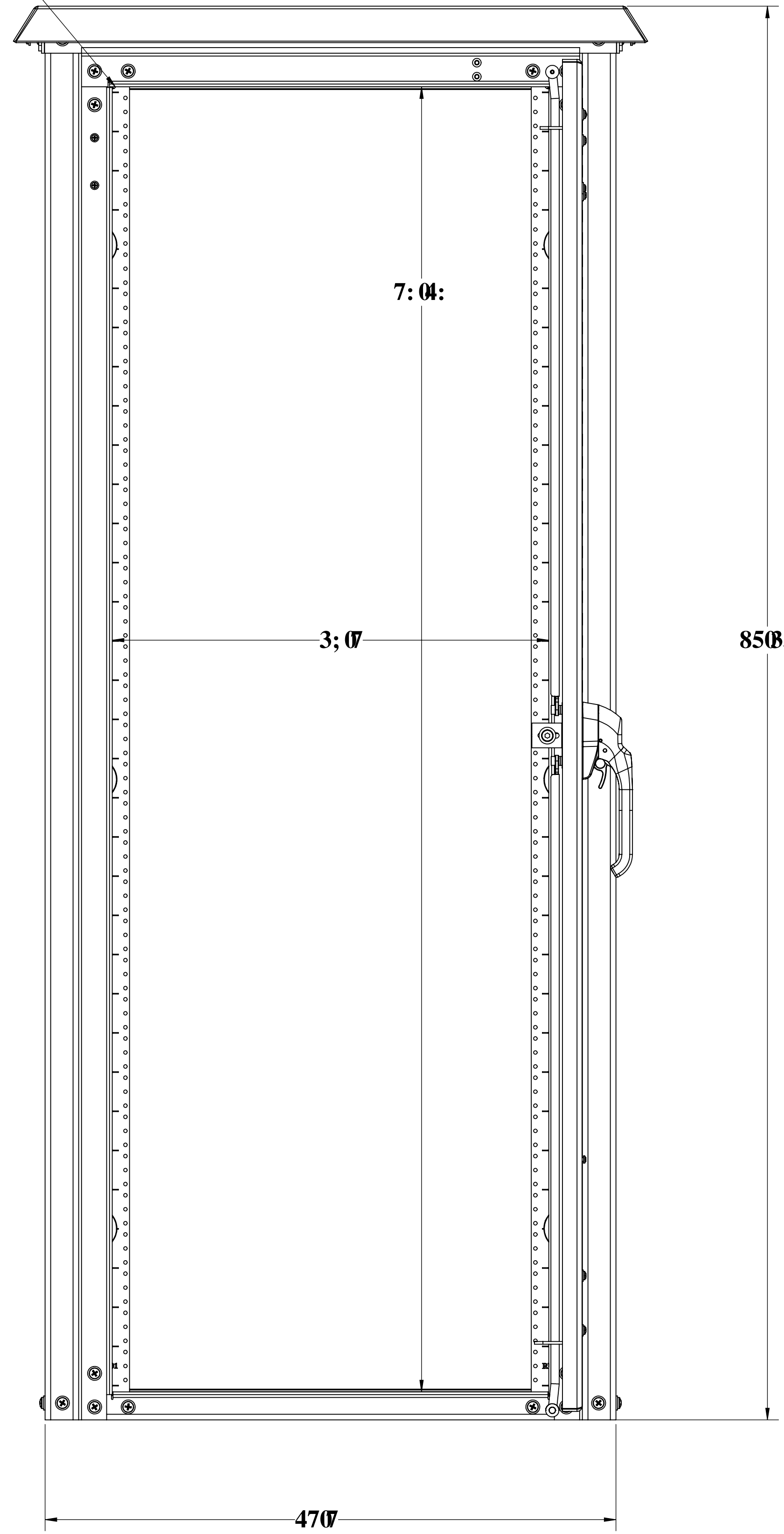
45; 7/5 \$
T/UVTW'VQ'T/UVTW

(4018)

VQR'XIGY 'EGNRPI 'CPF'CNWO CUJ KGF'PQV'UJ QY P

I B9KGC'9K 09'07' 98.		8861 b' JYX -bW	
BA'WOC'09'07' 98.		C818L17'cg'X	
GNP	7U[Y7cXY.	BK; "BC".	F9J
8	'.)M	\$%) &	6
BC BCHG7 5@98F5K -B:		G7 5@'%%K 9' <H, +Vg'	

FQQT'I CUMGV'UI QY P



TGCT'XIGY

I B 9600CH 9FK 090077 ± 98.		8861 b'p JYX-bW	
BA 9600CH 9FK 090077 ± 98.		CB1* & BL11 @ S	
SD: 1.8F	157	GNP	7U[Y 7cXY.
CD: 1.8F	157	8	'.)M
HC: 1.8F	157	BK: " BC".	
HC: 1.8F	157	F9J	
HC: 1.8F	157	G7 5@. %%% K 9: <H%(' Vg'	
HC: 1.8F	157	G-994 C: "	
A 5HF-5@) S) & S'90 5GA 665-1S(%	
D5-BH 85ACB7C: 0809: 9: 4008LH F991' 85		%	
BC BCHG7 5@98F5K-B:		%	

I B 7 @GG±-98'DI 6@7