



Why Choose the OD-UL Series?

The OD-78DDC-UL50 enclosures are the ultimate choice for your outdoor racking requirements. Being made of our own rugged Alumiflex®, you'll find it noticeably lighter than steel, yet strong enough to rack even the heaviest equipment. When choosing the OD-UL series, you have handpicked the highest value in American construction. The OD-UL series includes the standard features you have come to expect with DDB, incorporating the versatile R-strut system for adjustable racking, the security of a 3-point locking system, our patented Alumishield® solar cap to manage heat loads, door grounding strap, & UL listed gasketing. For those who need more than just our standard enclosure, DDB can also make a truly customized solution with our many available options including HVAC, providing a climate-controlled environment for any electronic equipment, electrical load panels and cable entry solutions to name a few. All of this comes together to create an enclosure able to meet all of the unique needs your customers have been seeking. DDB offers a state-of-the-art design, a competitive price, benchmark lead times and a guaranteed delivery, all backed up with an industry leading 15-year warranty on every enclosure. Put DDB's substantial stock to work for you today. Contact our professional staff to assist you with your made-to-order solution.

Application Types

- Telecommunications
- Wireless/Broadband
 - Fiber Optics
 - Back Haul
 - Base Station
 - Small Cell/ DAS
- Utility
- Public Safety
- Military
- Trailer-Based
- Communications
 - Wi-Fi
- Flexible and Scalable
 - LTEE/4G/5G
- Intelligent Traffic



Environmental & Safety Ratings:

- ✓ ETL environmentally listed to UL 50/50E, IP 66, Type 4
- ✓ ETL listed; Safety Requirements, UL 62368-1:2019 Ed.3, CSA C22.2



Features

- 15 Year Warranty
- 0.125" Aluminum Construction
- Welded Construction
- 3-Point Locking System
- Front and Rear Access
- Stainless Steel External Hardware/Hinge
- Custom Colors Available
- Water/Rain/Sleet/Dust Tight
- Flexible and Scalable
- Quick Shipping

Weight and Dimensions

Approximate Exterior Enclosure Dimensions:

79"H x 29"W x 39"D

Shipping Dimensions:

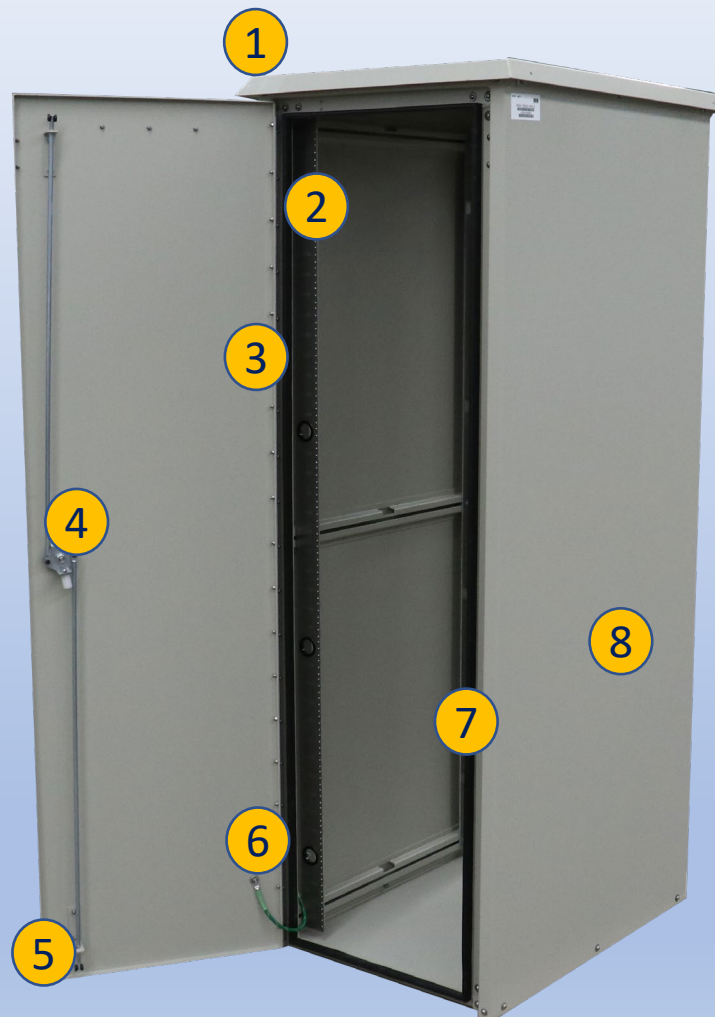
42"L x 32"W x 84"H- Palletized

Approximate Shipping Weight:

245 lbs.

UL-50 OD SERIES

OD-78DDC-UL50

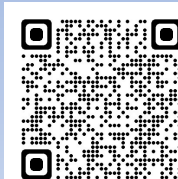


Features

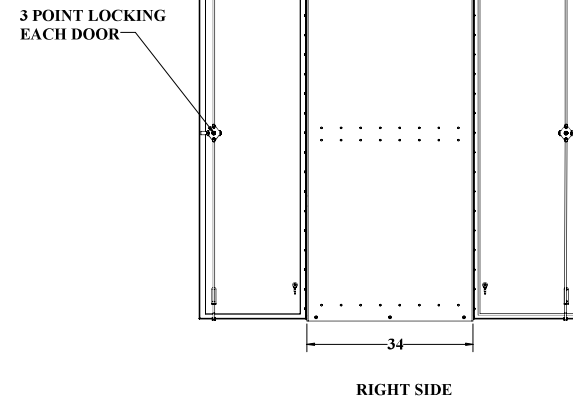
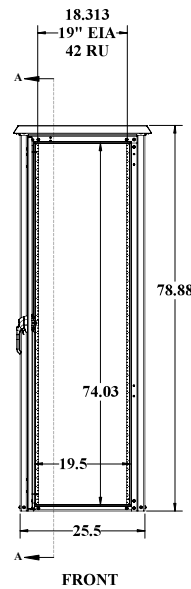
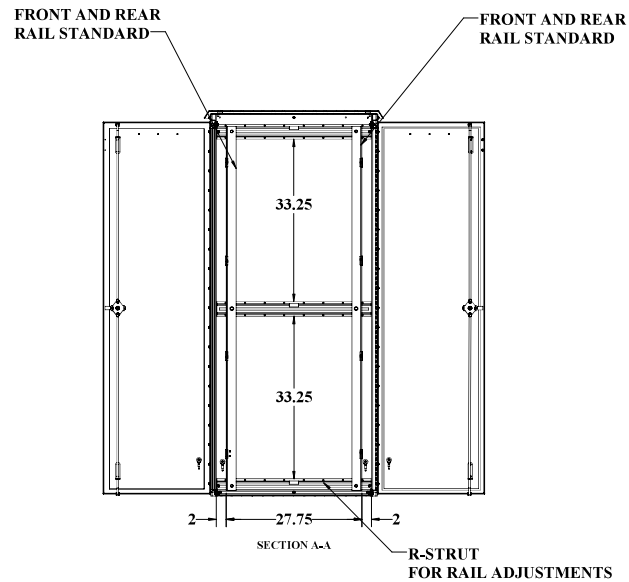
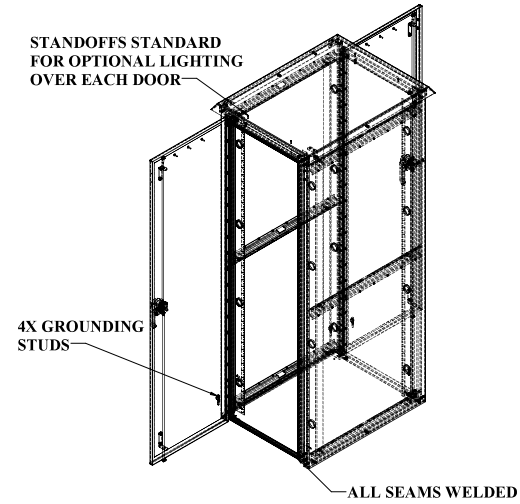
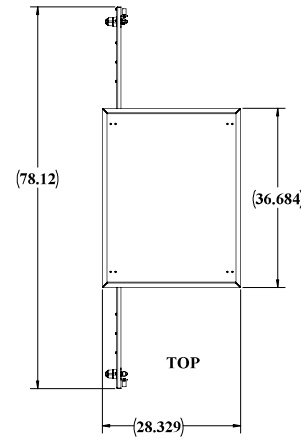
1. Alumishield Solar Cap
2. 19" Adjustable Racking Rails
3. Stainless Steel Door Hinge
4. 3-Point Locking System
5. 0.125" Aluminum Construction
6. Door Grounding Strap
7. Rear Door Access
8. Powder Coat Finish

2301 S. HWY 77 Pauls Valley, OK 73075

T: (405)-665-2876

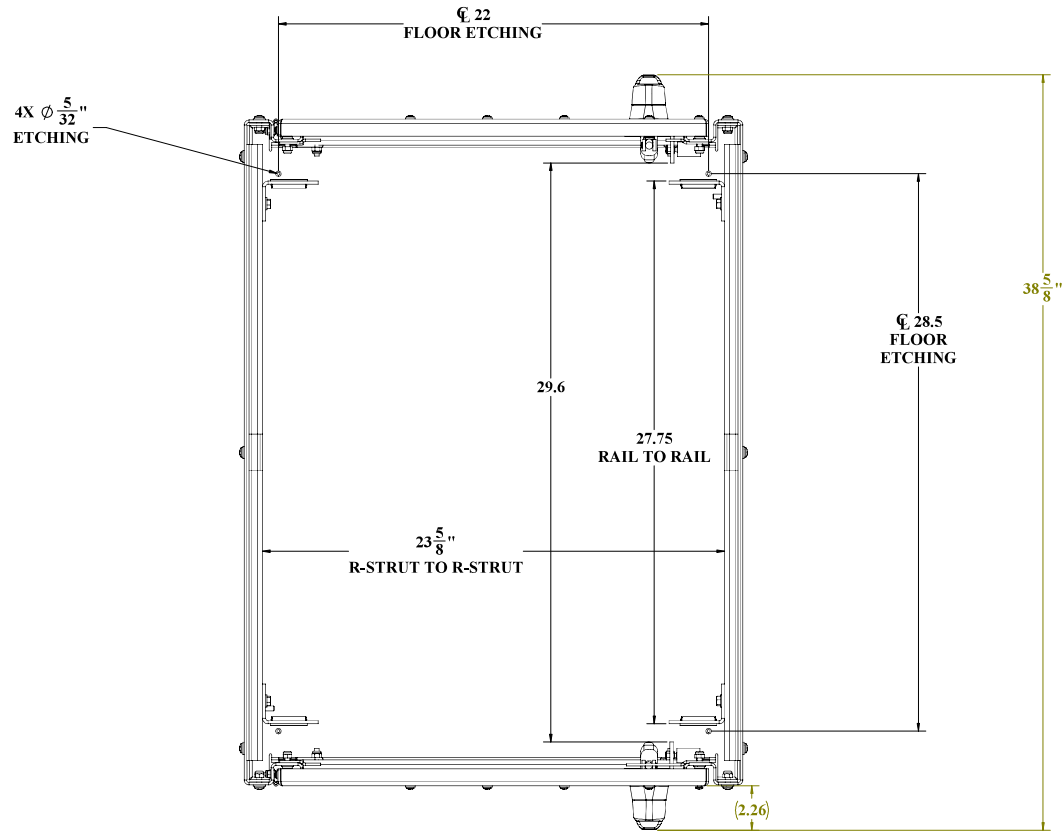
sales@ddbunlimited.com www.ddbunlimited.comScan this code for
Climate ControlScan this code for
Accessories

REVISIONS		
REV.	DESCRIPTION	DATE
A	CREATED WEBSITE DRAWING FOR OD-78DD-UL50 PER DR-01859	10/9/2018
B	UPDATED SHEET FORMAT	4/15/2022



UNLESS OTHERWISE SPECIFIED:			
DESCRIPTION AND FINISH	DDB Unlimited Inc.		
QUANTITY	OD-78DD-UL50		
UNIT OF MEASURE	Each		
DATE	End users: OD, 78, DD, UL50D-78DD-UL50		
DRWING NO.	REV	SCALE	WEIGHT
D	01859	1:12	199 lbs
SHEET 1 OF 3			

UNCLASSIFIED PUBLIC



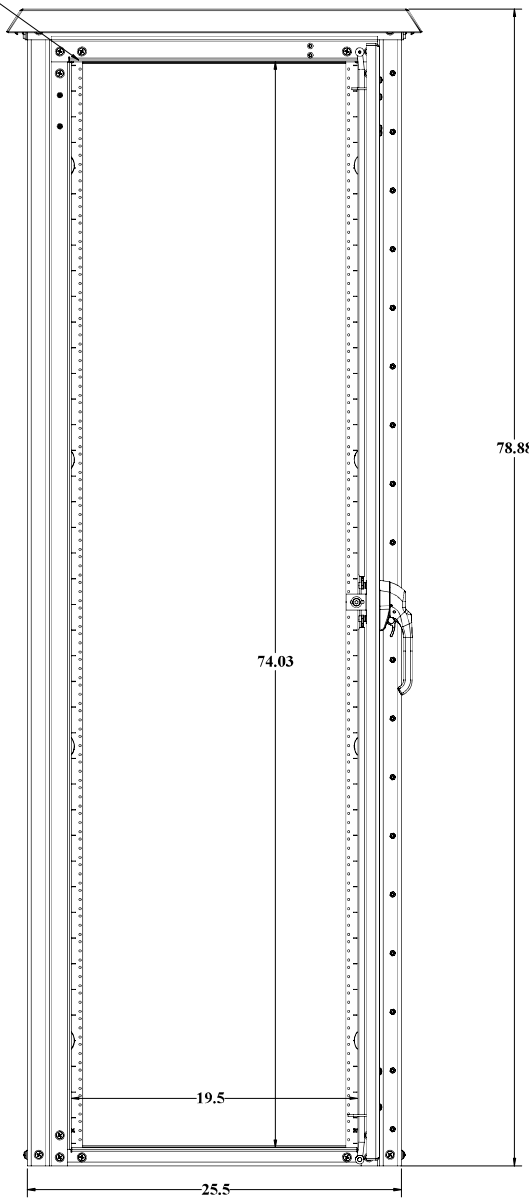
TOP VIEW CEILING AND ALUMASHIELD NOT SHOWN

UNLESS OTHERWISE SPECIFIED:			
DIMENSIONS ARE IN INCHES			
ASSEMBLY TOLERANCES:	IN		
FINISHES:	AS SHOWN		
PROTECTIVE COATINGS:	AS SHOWN		
ALL DIMENSIONS:	UNLESS OTHERWISE SPECIFIED		
MATERIALS:	AS SHOWN		
PAINTS:	AS SHOWN		
DO NOT SCALE DRAWING			
DDB Unlimited Inc.		01859	
Eastmore, OH, 43017, U.S.A.			
REV	Code Code:	DWG. NO.:	REV
D	28515	01859	8
SCALE: 1:12		WEIGHT: 104 Lbs.	SHEET 2 OF 3

UNCLASSIFIED PUBLIC

DDB FORM: 7.1.2 REV: A 08/02/17

DOOR GASKET HIDDEN



BACK VIEW

UNCLASSIFIED PUBLIC

UNLESS OTHERWISE SPECIFIED:			
DIMENSIONS ARE IN INCHES			
FINISHES	AS SHOWN	1" = 1'-0"	
PROTECTIVE COATINGS	AS SHOWN	1" = 1'-0"	
INSTALLATION	AS SHOWN	1" = 1'-0"	
ALL DIMENSIONS	UNLESS OTHERWISE SPECIFIED	1" = 1'-0"	
MATERIALS: Standard - unless specified.			
PAINT:			
DO NOT SCALE DRAWING			
DDB Unlimited Inc.		DWG. NO.: 01859	
Enclave 018, 78, DD, UL580D-781B-1150		REV: 2	
DATE: 08/22/17	SCALE: 1:12	WEIGHT: 199 lbs	SHEET 2 OF 3

DDB FORM: 7.1.2 REV: A 08/02/17