



An ISO 9001  
Certified company

# UL-50 OD SERIES

## OD-78DDXC-UL50

Made in America



Believing in American  
Craftsmanship



## Why Choose the OD-UL Series?

The OD-78DDXC-UL50 enclosures are the ultimate choice for your outdoor racking requirements. Being made of our own rugged Alumiflex®, you'll find it noticeably lighter than steel, yet strong enough to rack even the heaviest equipment. When choosing the OD-UL series, you have handpicked the highest value in American construction. The OD-UL series includes the standard features you have come to expect with DDB, incorporating the versatile R-strut system for adjustable racking, the security of a 3- point locking system, our patented Alumishield® solar cap to manage heat loads, door grounding strap, & UL listed gasketing. For those who need more than just our standard enclosure, DDB can also make a truly customized solution with our many available options including HVAC, providing a climate-controlled environment for any electronic equipment, electrical load panels and cable entry solutions to name a few. All of this comes together to create an enclosure able to meet all of the unique needs your customers have been seeking. DDB offers a state-of-the-art design, a competitive price, benchmark lead times and a guaranteed delivery, all backed up with an industry leading 15-year warranty on every enclosure. Put DDB's substantial stock to work for you today. Contact our professional staff to assist you with your made-to-order solution.



## Features

- 15 Year Warranty
- 0.125" Aluminum Construction
- Welded Construction
- 3-Point Locking System
- Front and Rear Access
- Stainless Steel External Hardware/Hinge
- Custom Colors Available
- Water/Rain/Sleet/Dust Tight
- Flexible and Scalable
- Quick Shipping



## Application Types

- Telecommunications
- Wireless/Broadband
- Fiber Optics
- Back Haul
- Base Station
- Small Cell/ DAS
- Utility
- Public Safety
- Military
- Trailer-Based
- Communications
- Wi-Fi
- Flexible and Scalable
- LTEE/4G/5G
- Intelligent Traffic

## Environmental & Safety Ratings:

- ✓ ETL environmentally listed to UL 50/50E, IP 66, Type 4
- ✓ ETL listed; Safety Requirements, UL 62368-1:2019 Ed.3, CSA C22.2

## Weight and Dimensions

Approximate Exterior Enclosure Dimensions:

79"H x 29"W x 47"D

Shipping Dimensions:

52"L x 32"W x 84"H- Palletized

Approximate Shipping Weight:

270 lbs.

2301 S. HWY 77 Pauls Valley, OK 73075

T: (405)-665-2876

[sales@ddbunlimited.com](mailto:sales@ddbunlimited.com) [www.ddbunlimited.com](http://www.ddbunlimited.com)

# UL-50 OD SERIES

## OD-78DDXC-UL50



### Features

1. Alumishield Solar Cap
2. 19" Adjustable Racking Rails
3. Stainless Steel Door Hinge
4. 3-Point Locking System
5. 0.125" Aluminum Construction
6. Door Grounding Strap
7. Rear Door Access
8. Powder Coat Finish

2301 S. HWY 77 Pauls Valley, OK 73075

T: (405)-665-2876

[sales@ddbunlimited.com](mailto:sales@ddbunlimited.com) [www.ddbunlimited.com](http://www.ddbunlimited.com)

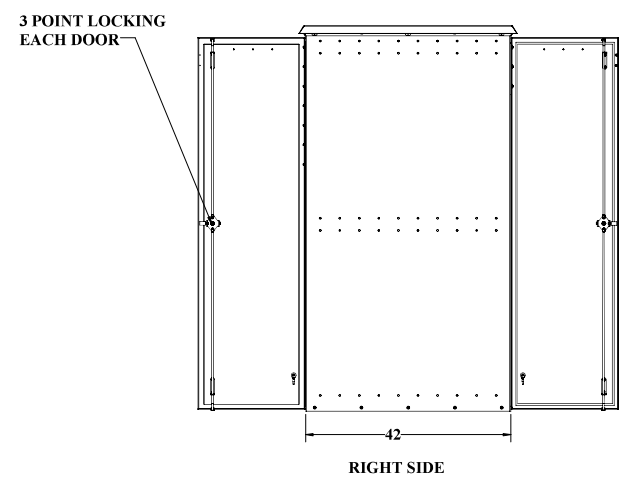
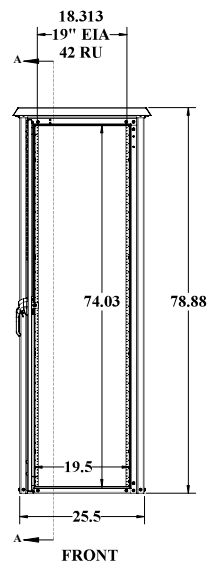
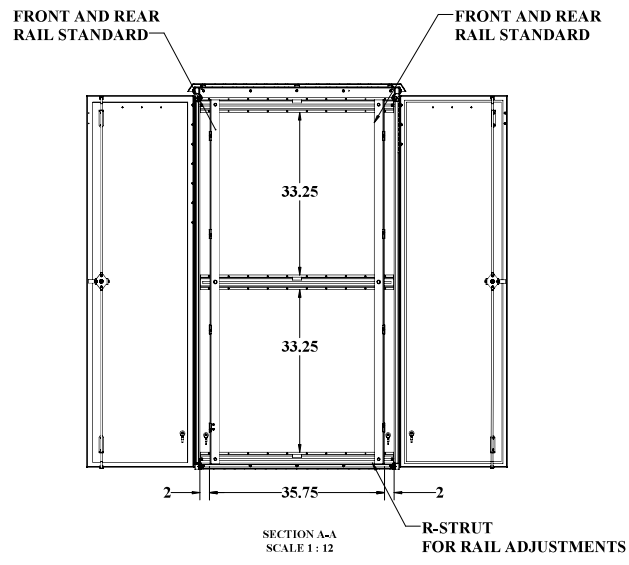
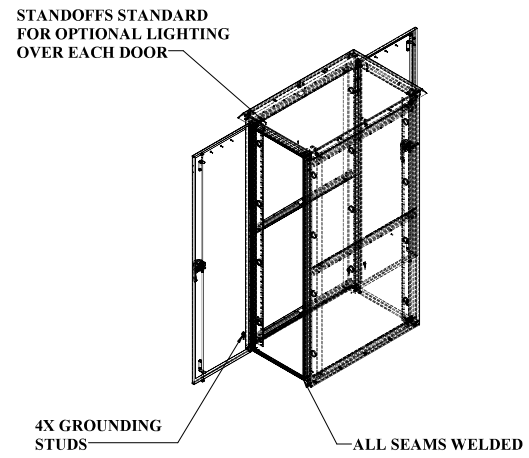
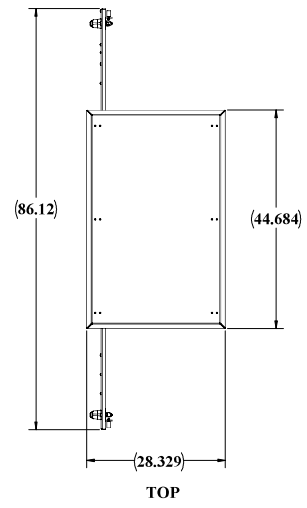
Scan this code for  
Climate Control



Scan this code for  
Accessories



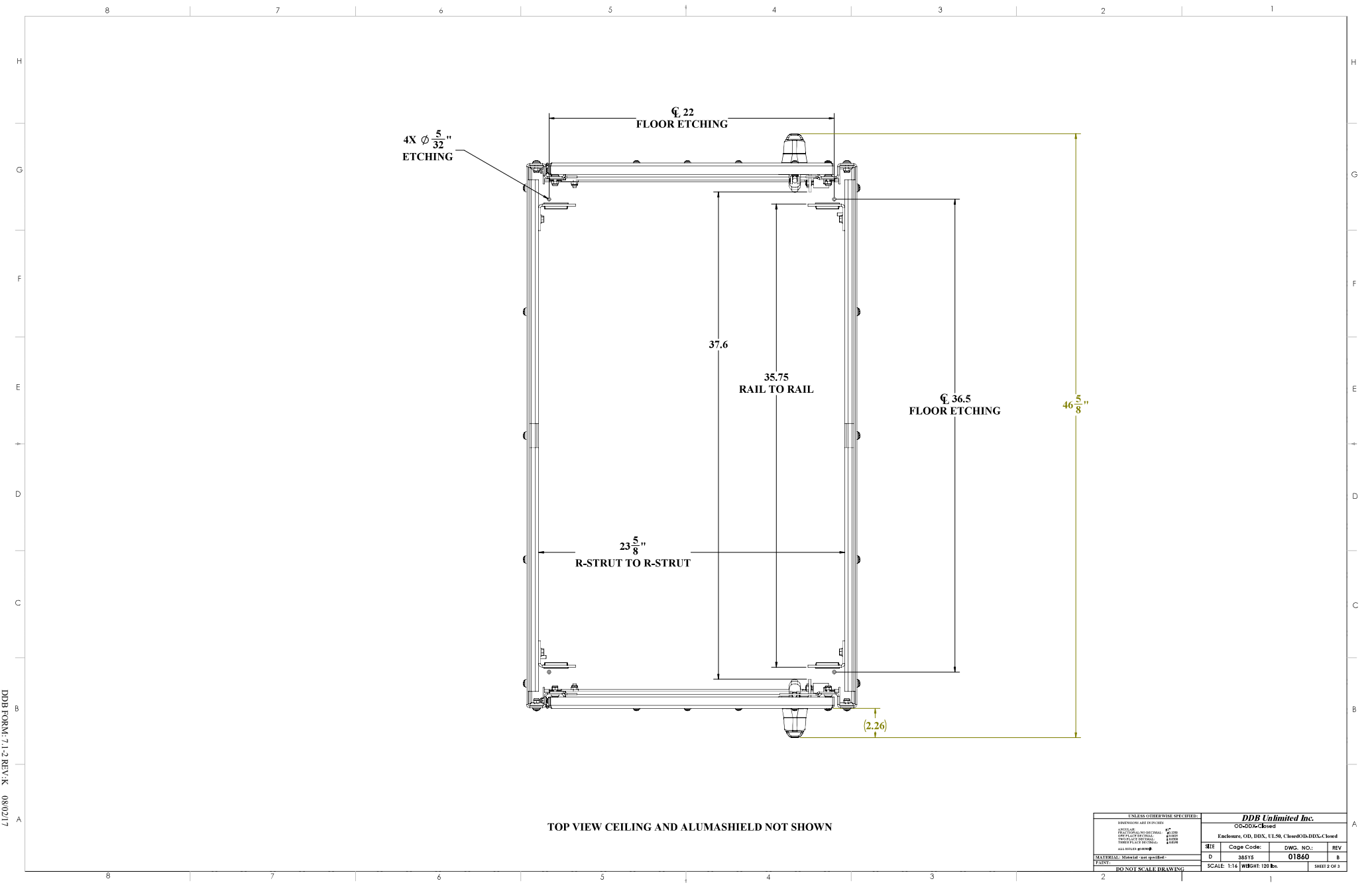
REVISIONS		
REV.	DESCRIPTION	DATE
A	CREATED WEBSITE DRAWING FOR OD-78DDX-U50 PER DR-01860	10/9/2018
B	UPDATED SHEET FORMAT	4/15/2022



UNLESS OTHERWISE SPECIFIED:			
DIMENSIONS ARE IN INCHES			
FINISHES ARE AS SHOWN			
ALL DIMENSIONS ARE TO FACE UNLESS NOTED OTHERWISE			
ALL DIMENSIONS ARE TO FACE UNLESS NOTED OTHERWISE			
MATERIALS: Standard - unless specified			
PAINT:			
DDB Unlimited Inc.		01860	
REV	Code Code:	DWG. NO.:	REV
D	28515	01860	B
SCALE 1:14		WEIGHT 223 lbs.	SHEET 1 OF 3

UNCLASSIFIED PUBLIC

DDB FORM: 7.1.2 REV: A 08/02/17



TOP VIEW CEILING AND ALUMASHIELD NOT SHOWN

UNCLASSIFIED PUBLIC

UNLESS OTHERWISE SPECIFIED:			
DIMENSIONS ARE IN INCHES			
FINISHES	AS SHOWN	1" = 10'	
PROTECTIVE COATINGS	AS SHOWN	1" = 10'	
PROTECTIVE COATINGS	AS SHOWN	1" = 10'	
PROTECTIVE COATINGS	AS SHOWN	1" = 10'	
ALL DIMENSIONS	UNLESS OTHERWISE SPECIFIED		
MATERIALS	AS SHOWN		
PAINTS	AS SHOWN		
DO NOT SCALE DRAWING			

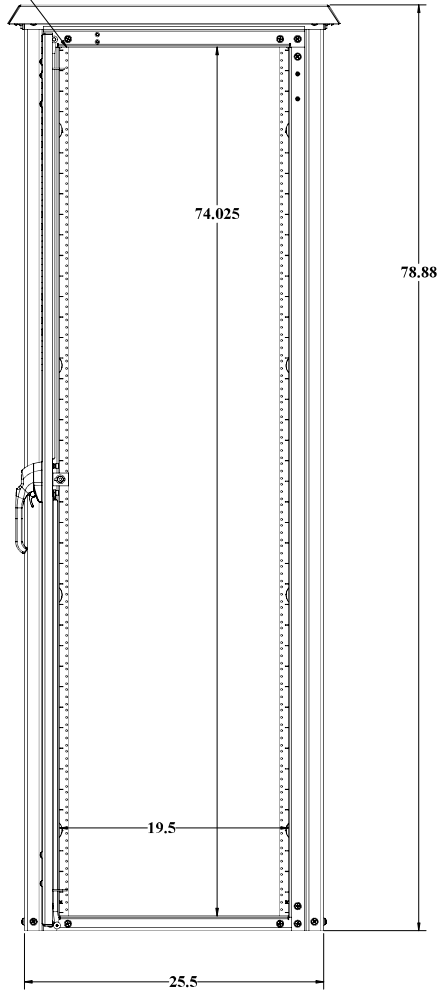
<b>DDI Unlimited Inc.</b>			
014-016-016-016			
Endemic: OD, DDX, TL50, Closed/OL-BDX-Closed			
REV	Code Code:	DWG. NO.:	REV
D	28515	01840	8
SCALE 1:14		WEIGHT 120 lbs.	SHEET 2 OF 3

DDI FORM: 7.1.2 REV: AK 08/02/17

8 7 6 5 4 3 2 1

H  
G  
F  
E  
D  
C  
B  
A

DOOR GASKET HIDDEN



BACK VIEW

UNLESS OTHERWISE SPECIFIED:			
DIMENSIONS ARE IN INCHES			
FINISHES	AS SHOWN	1" = 1'-0"	
PROTECTIVE COATINGS	AS SHOWN	1" = 1'-0"	
INSTALLATION	AS SHOWN	1" = 1'-0"	
ALL DIMENSIONS	UNLESS OTHERWISE SPECIFIED	1" = 1'-0"	
MATERIALS: <i>Wood</i> - not specified			
PAINT:			
DO NOT SCALE DRAWING			
DDB Unlimited Inc.		01840	
C/D-78DDx4L50			
Furniture: DO, 78, BDX, UL580D, 78BDXx4L50			
REV	Code Code:	DWG. NO.:	REV
D	28515	01840	2
SCALE 1:16		WEIGHT 223 lbs.	SHEET 2 OF 3

UNCLASSIFIED PUBLIC

DDB FORM: 7.1.2-REV:K 08/02/17