



An ISO 9001
Certified company

UL-50 WOD SERIES

WOD-78DDC-UL50

Made in America



Believing in American
Craftsmanship



Why Choose the WOD-UL Series?

The WOD-78DDC-UL50 enclosure is the pinnacle of enclosures. With a fully welded chassis, heavy duty vulcanized gasketing and years of design and engineering behind it, you will find this will meet the most stringent requirements of the UL-50E Type 4 listing. Fully tested by a third party Nationally Recognized Testing Laboratory and listed to the UL-50E standard, you can trust that the WOD UL series will pass any test or inspection it faces. Designed with public safety requirements in mind, these units can be placed in mission critical locations where communication or sensitive gear needs to be protected regardless of the situation. As with the standard WOD series, the WOD-UL series comes with standard 3-point locking, front and rear access with integrated wind locks, top mounted solar shield, adjustable R-strut racking, reversible 19" or 23" EIA racking, Alumiflex construction and our unmatched 15-year warranty. Moreover, there is an extensive list of optional accessories including HVAC units, electrical panels, and cable entry solutions to name a few. No matter the application, DDB provides cutting-edge design, competitive pricing, benchmark lead times, and guaranteed delivery. Whether you require a custom enclosure or something from our substantial stock, our professional staff is here to help you today.



Features

15 Year Warranty

0.125" Aluminum Construction

3-Point Locking System

Heavy Duty Out-Door Construction

Front and Rear Access

Stainless Steel External Hardware/Hinge

Cream Powder-Coat, Standard

Wind Locks

Quick Shipping

Weight and Dimensions

Approximate Exterior Enclosure Dimensions:

79"H x 33"W x 39"D

Shipping Dimensions:

48"L x 42"W x 84"H- Palletized

Approximate Shipping Weight:

300 lbs.

Application Types

Telecommunications

Wireless/Broadband

Fiber Optics

Back Haul

Public Safety

DAS

Utility

Base Station

Military

Trailer-Based Communications

Wi-Fi

LTEE/4G/5G



Environmental & Safety Ratings:

✓ ETL environmentally listed to UL 50/50E, IP 66, Type 4

✓ ETL listed; Safety Requirements, UL 62368-1:2019 Ed.3, CSA C22.2

2301 S. HWY 77 Pauls Valley, OK 73075

T: (405)-665-2876

sales@ddbunlimited.com www.ddbunlimited.com

UL-50 WOD SERIES

WOD-78DDC-UL50



Features

- 1. Alumishield
- 2. Wind Locks
- 3. 19" and 23" Adjustable Racking Rails
- 4. Stainless Steel Door Hinge
- 5. 3-Point Locking System
- 6. Heavy Duty 0.160" Doors
- 7. Powder-Coat Cream
- 8. Rear Door Access

2301 S. HWY 77 Pauls Valley, OK 73075

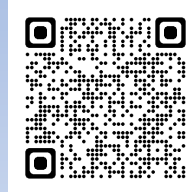
T: (405)-665-2876

sales@ddbunlimited.com www.ddbunlimited.com

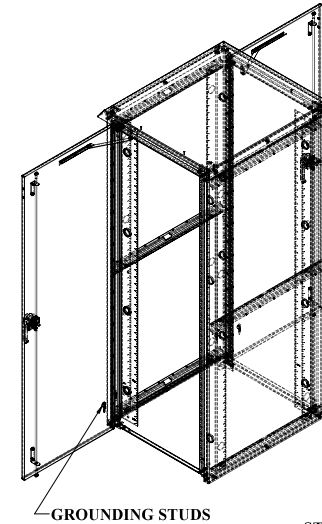
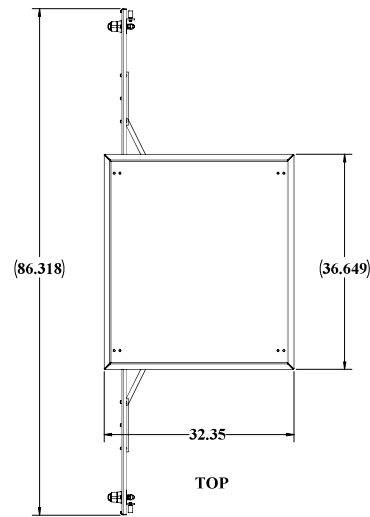
Scan this code for
Climate Control



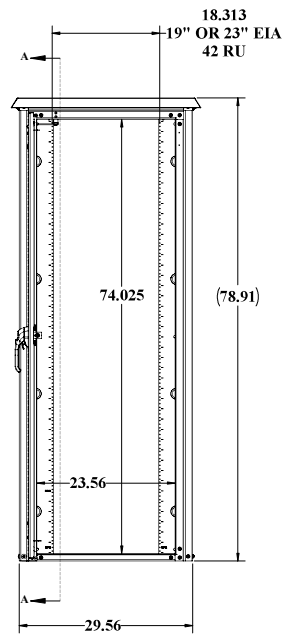
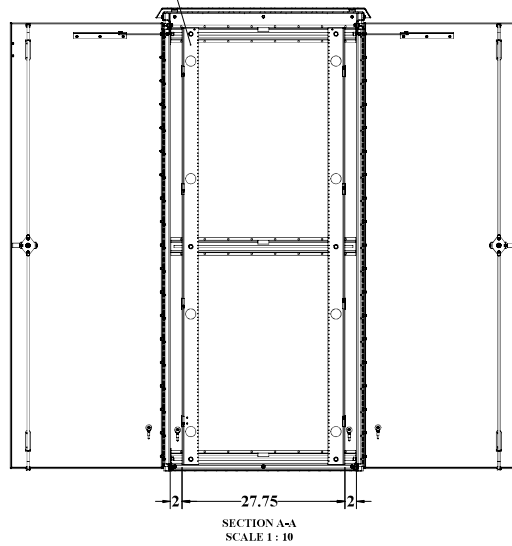
Scan this code for
Accessories



REVISIONS		
REV.	DESCRIPTION	DATE
A	CREATED DRAWING PER DR-02062	7/17/2019



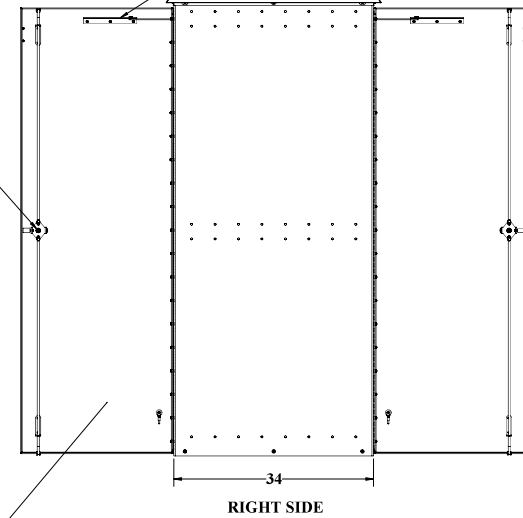
DDB STANDARD RAILS



3 POINT LOCKING
EACH DOOR

NO VENTS OR
LOUVERS

STANDARD WINDLOCKS
FOR EACH DOOR



WELDED ENCLOSURE

UNLESS OTHERWISE SPECIFIED:			
DIMENSIONS ARE IN INCHES			
FINISH	WGT	MATERIAL	
EXTERIOR: POLYURETHANE	4200	WOOD-780D-U150	
INTERIOR: POLYURETHANE	4200	WOOD-78\"/>	

UNCLASSIFIED PUBLIC

DDB FORM: 7.1.2 REV: A 08/02/17

WEB DRAWING (NOT FOR FABRICATION)

4X $\varnothing \frac{9}{16}$ "
ETCHINGS

$\varnothing 26$
FLOOR ETCHINGS

29.75

27.75
RAIL FACE
TO RAIL FACE

$\varnothing 28 \frac{1}{2}$ "
FLOOR
ETCHINGS

$38 \frac{3}{4}$ "

27.685
R-STRUT
TO R-STRUT

(2.27)

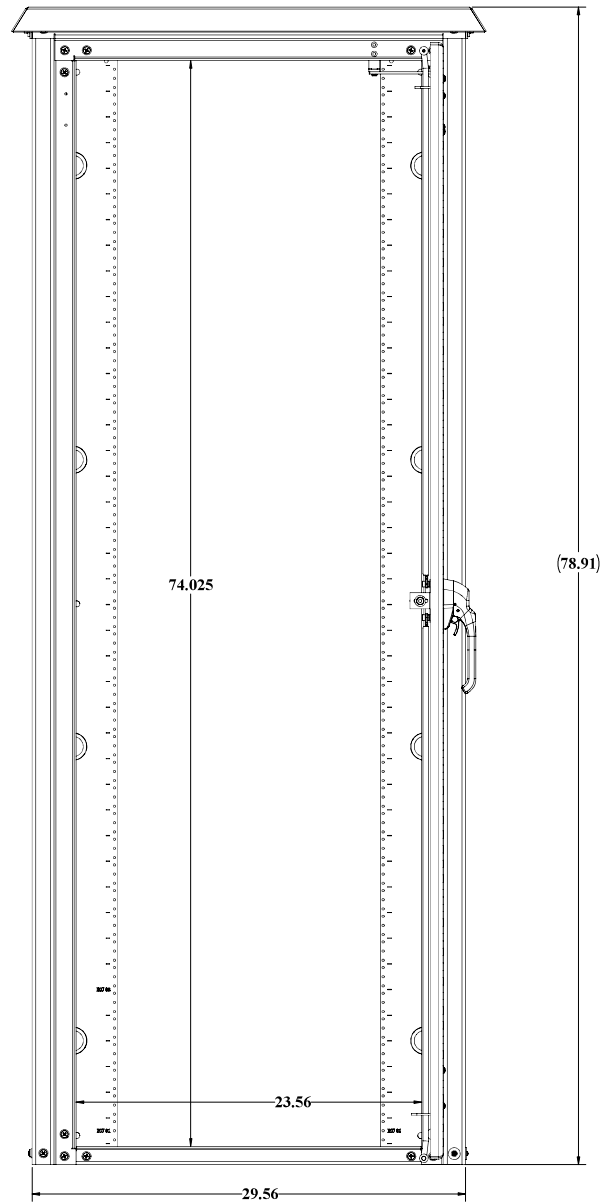
TOP VIEW
NO CEILING OR ALUMASHIELD SHOWN

WEB DRAWING (NOT FOR FABRICATION)

UNLESS OTHERWISE SPECIFIED:			
DIMENSIONS ARE IN INCHES	DDB-IL59F-CLOSED		
WELDING: AS PER SPECIFICATION	WOB: CLOSED, DD UL-590DL-UL-59F-CLOSED		
FINISH: POLISHED	SIZE	Code Code:	DWG. NO.:
DRILL: 1/8" DIA. DRILL	D	28515	02042
ALL DIMENSIONS TO CENTER UNLESS OTHERWISE NOTED	REV	A	
MATERIAL: 6061-T6 ALUMINUM	SCALE	1:16 WEIGHT 93 lbs.	
PAIN: 6061-T6 ALUMINUM	DDB-IL59F-CLOSED		SHEET 2 OF 3
DO NOT SCALE DRAWING			

UNCLASSIFIED PUBLIC

WEB DRAWING (NOT FOR FABRICATION)



BACK VIEW
GASKET NOT SHOWN

WEB DRAWING (NOT FOR FABRICATION)

UNLESS OTHERWISE SPECIFIED:			
DIMENSIONS ARE IN INCHES			
WGD-780D-U150			
ASSEMBLY TOLERANCES:	WGD-78FH-DH-E-L-SH-VOL-780D-U150		
FINISH TOLERANCES:	SEE	Code Code:	DWG. NO.:
DRILLING TOLERANCES:	D		28515
THREAD TOLERANCES:	A		02042
ALL DIMENSIONS ARE TO CENTER UNLESS OTHERWISE NOTED	SCALE 1:16		WEIGHT 243 lbs.
FINISH: UNPAINTED GALVALUM			
PAINT: UNPAINTED GALVALUM			
DO NOT SCALE DRAWING			
2	3		SHEET 2 OF 3

DDB Unlimited Inc.

WGD-78FH-DH-E-L-SH-VOL-780D-U150

SEE Code Code: DWG. NO. REV

D 28515 02042 A

SCALE 1:16 WEIGHT 243 lbs. SHEET 2 OF 3

UNCLASSIFIED PUBLIC